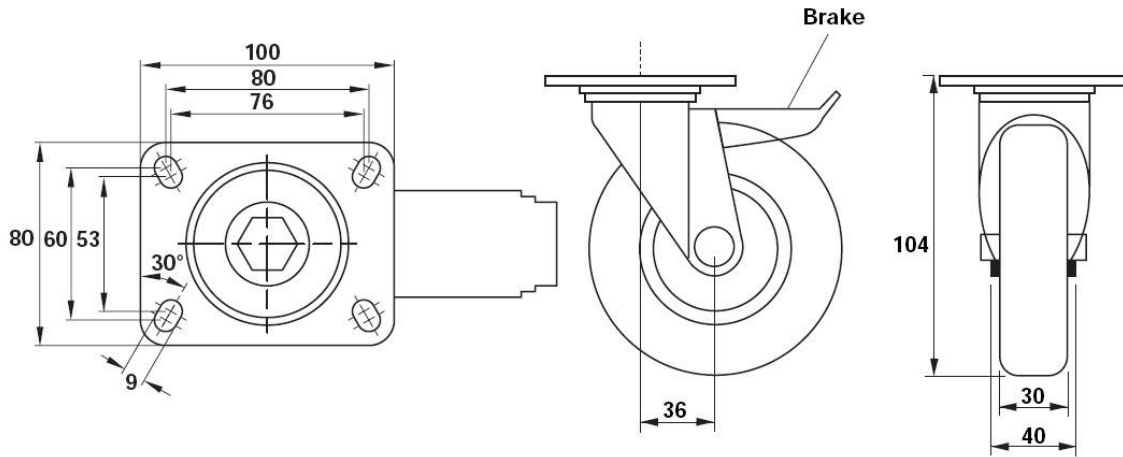


Swivel type. Flange plate fixing allows inboard mounting using the 9mm slots provided.

**C80F** Without Brake  
**C80FB** With Brake



## Technical Data

	<b>Castor C80F / FB</b>
<b>Body</b>	<b>Zinc Plated Steel</b>
<b>Wheel</b>	<b>Nylon</b>
<b>Tyre</b>	<b>Polyurethane</b>
<b>Wheel Diameter</b>	<b>80mm</b>
<b>Load Capacity</b>	<b>90kg/ea</b>
<b>Mass</b>	<b>0.65kg/ea</b>