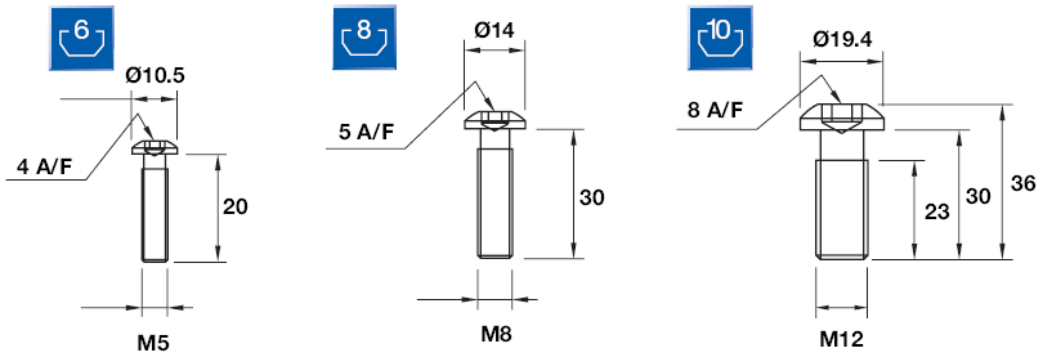


Connection Screw

New self tapping screw for all
10mm T-slot connections



Technical Data

	Connection Screw
Material	Steel EN3B
Finish	Zinc Plated