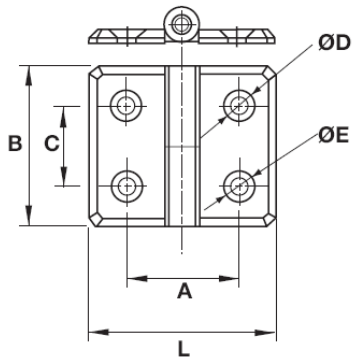


Hinge (Die-cast)



All hinges supplied as a set complete with standard fixings.



1-243-6074 (S) R/H 40x40

1-243-6073 (S) L/H 40x40

To hinge size 40 (lift off type)
see example page 37)

1-243-7006 (S) R/H 45x45

1-243-7005 (S) L/H 45x45

To hinge size 45 (lift off type)
see example page 37)

1-243-6070 (S)

To hinge size 40 (fixed type)

1-243-8085 (S)

To hinge size 45 (fixed type)

Part No.	L	A	B	C	øD	øE
1-243-6073(S)	70	42	60	30	12	6.2
1-243-6074(S)	70	42	60	30	12	6.2
1-243-7005(S)	80	47	60	30	12	6.2
1-243-7006(S)	80	47	60	30	12	6.2
1-243-6070(S)	70	42	60	30	12	6.2
1-243-8085(S)	80	47	60	30	12	6.2

Technical Data

	Hinge 40	Hinge 45	Hinge Lift Off
Material	Zinc Die-cast	Zinc Die-cast	Zinc Die-cast
Finish	Chrome Plated	Chrome Plated	Chrome Plated
Mass	0.13kg/ea	0.13kg/ea	0.13kg/ea