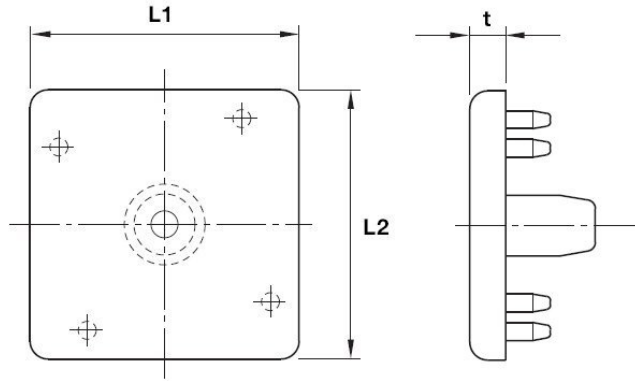


End Caps

For use with Structural Profile Sections. Push fit.



L1 x L2	t
20 x 20	3
20 x 40	3
30 x 30	4
30 x 60	4
30 x 90	4
40 x 40	4
40 x 80	4
40LR	4
45 x 45	4
45 x 60	4
45 x 90	4
45LR	4
60 x 60	4
80 x 80	4
80 x 160	4
90 x 90	4

Technical Data

	End Caps
Material	ABS Plastic
Finish	Black
Mass	-
Mass	-