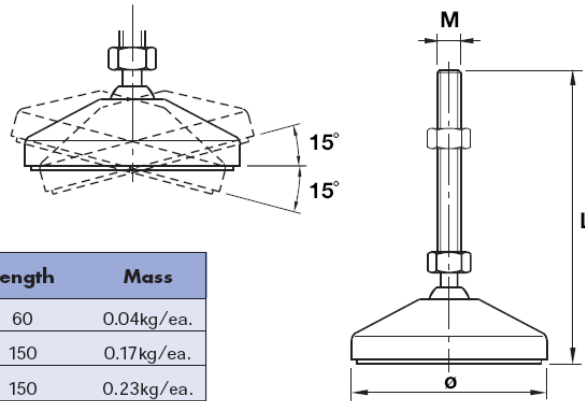


Foot



Adjustable height with 15° of movement allows for uneven floor surfaces.
Profile end requires tapping.



Part No.	Tap Size	Diameter	Length	Mass
1-243-0030	M8	40	60	0.04kg/ea.
1-243-0050	M12	60	150	0.17kg/ea.
1-243-0051	M12	100	150	0.23kg/ea.
1-243-0040	M16	60	150	0.28kg/ea.
1-243-0041	M16	100	150	0.33kg/ea.

Technical Data

	Foot
Material	Plastic and Steel
Finish	Steel / Zinc Plated