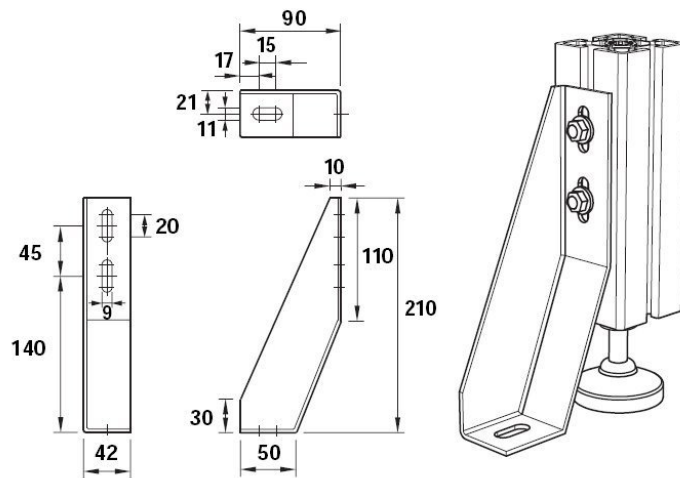


Foundation Bracket



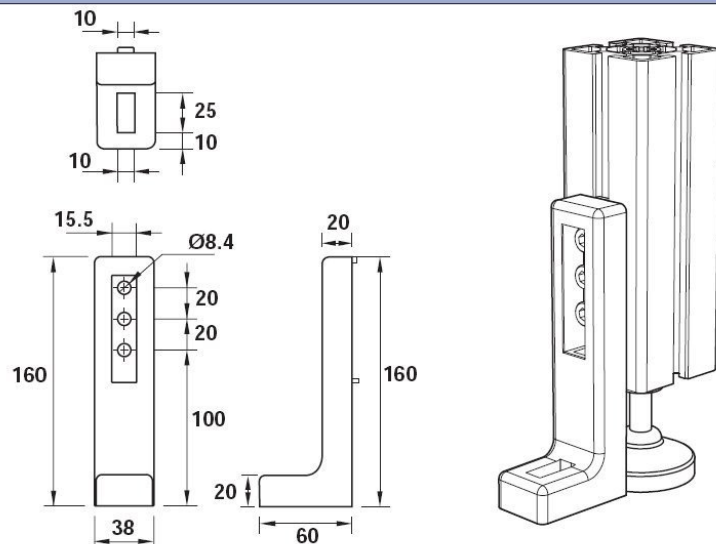
Rigidly fixes a frame to the floor –
use in conjunction with foot to allow
levelling before fixing.



Floor Bracket



Rigidly fixes a frame to the floor –
use in conjunction with foot to allow
levelling before fixing.



Technical Data

	Foundation Bracket	Floor Bracket
Material	Steel EN32	Zinc Die-cast
Finish	Black Oxide	Black Powder Coated
Mass	0.44kg/ea	0.46kg/ea