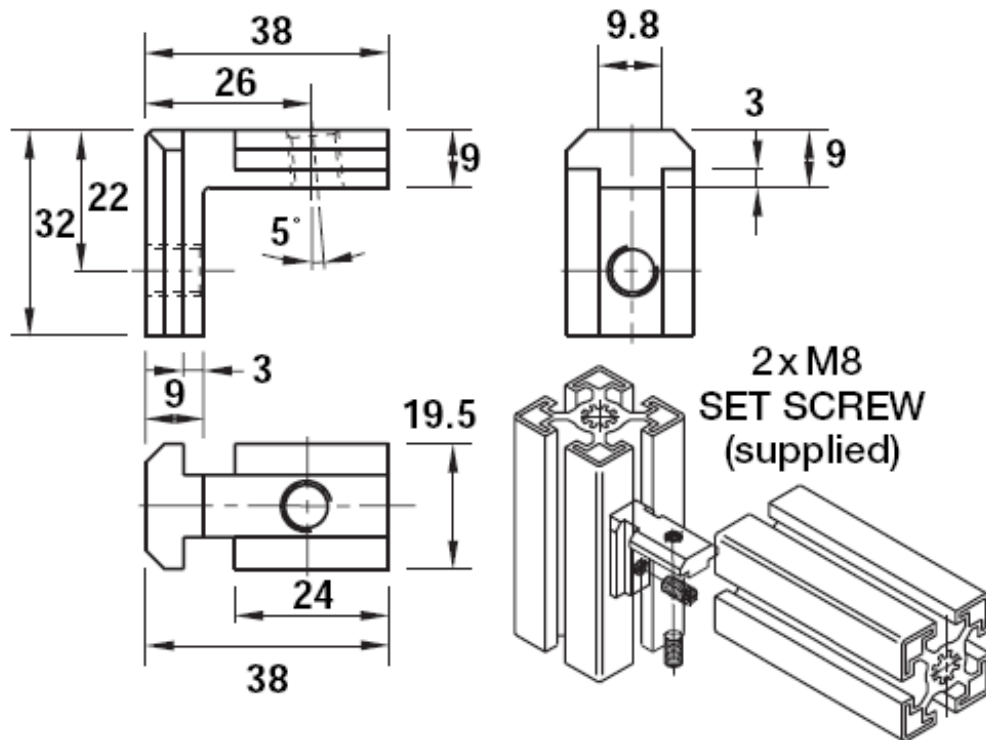


# Interior Bracket (B)



## Technical Data

	Interior Bracket (B)
<b>Material</b>	<b>Zinc Die-cast</b>
<b>Finish</b>	<b>None</b>
<b>Mass</b>	<b>0.06kg/ea</b>