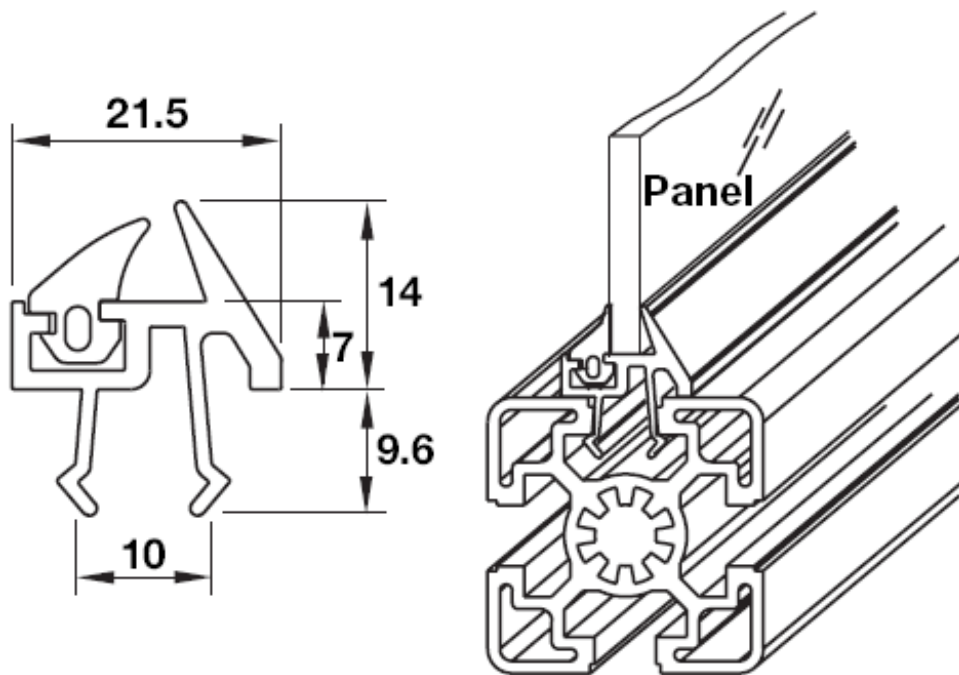


# Panel Holder



For use in profiles with slot size 10. The two part holder can be inserted into a pre-assembled frame and allows 5mm panels to be inserted/removed in situ. Supplied in 3m random length.



## Technical Data

	<b>Panel Holder</b>
<b>Material</b>	<b>PVC / Rubber</b>
<b>Finish</b>	<b>Black</b>
<b>Max Length</b>	<b>3000mm</b>