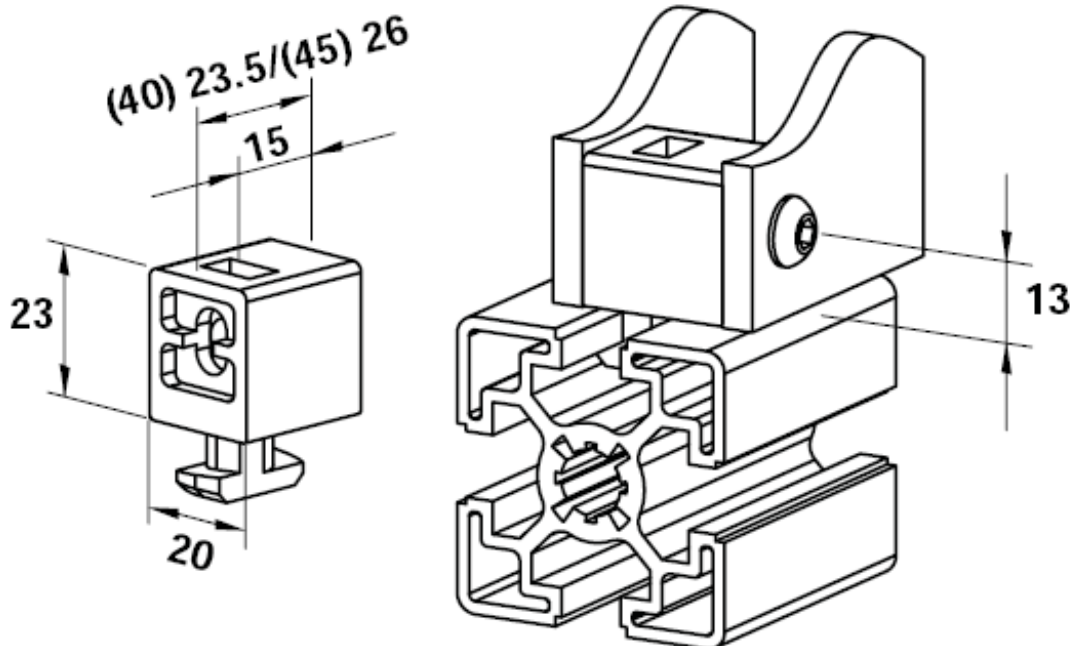


# Panel Mounting Block



For direct mounting of various thickness panels. Quick 90° release allows for assembly or re-positioning of block in Profile T-slot. Simply drill 6mm ø hole in panel to suit. Comes complete with retained M6 hexagon nut.



Panels can be fitted either side of blocks as dotted lines indicate.

## Technical Data

	<b>Panel Mounting Block</b>
<b>Material</b>	<b>Nylon 66 G13</b>
<b>Finish</b>	<b>Black</b>
<b>Mass</b>	-