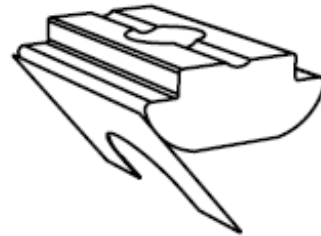
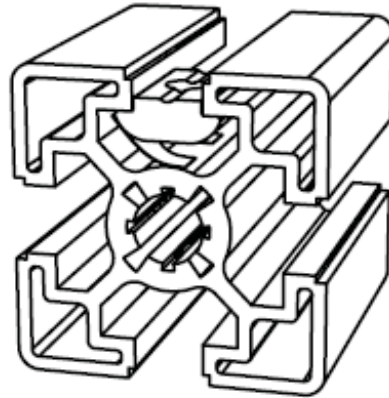
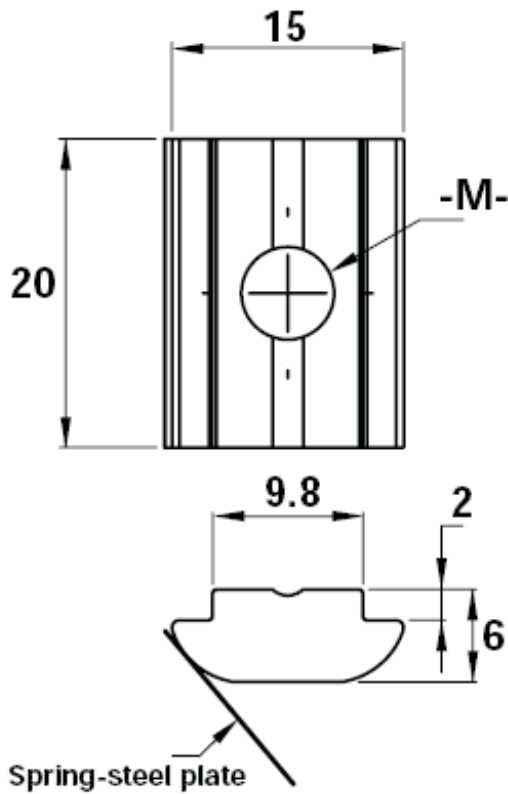


# Sprung Loaded T-Nuts



M5 (slot 10)  
M6 (slot 10)  
M8 (slot 10)

## Technical Data

	<b>Sprung Loaded T-Nuts</b>
<b>Material</b>	<b>Steel EN3B</b>
<b>Finish</b>	<b>Zinc Plated</b>
<b>Mass</b>	<b>0.013kg/ea</b>