

HepcoMotion®

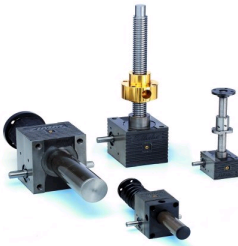
The Complete Linear Solution

PRODUCT UPDATE - ZIMM Screw Jack System

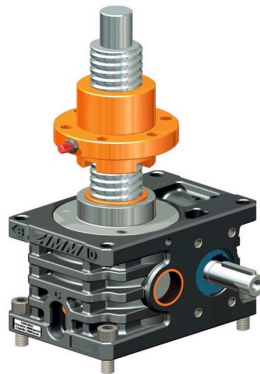
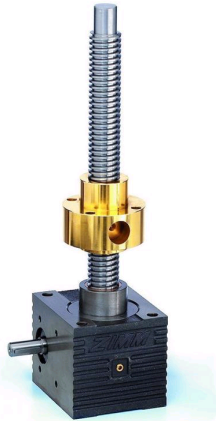
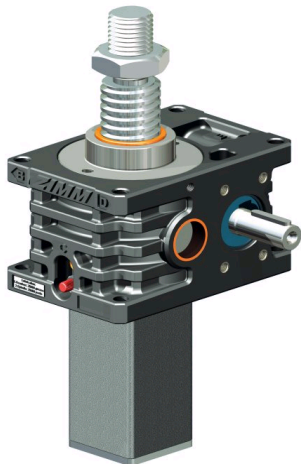
LIFT, LOWER, PUSH AND PULL.....

[ZIMM screw jacks](#) are remarkable prime movers. Based around a cubic body and building block principle, they can be used singly or in multiples for a wide variety of applications. Comprehensive CAD support and the supply of ready-to-mount pre-assembled units make the optimum system easily achievable.

- Twelve sizes
- Loads from 250N to 1000 kN
- Standing screw – lifting screw runs through the body
- Rotating screw – a flange nut runs up and down
- Trapezoidal and ballscrew version to suit required accuracy
- Hardened and ground bevel gears for high speed and torque
- Unique Self-aligning nut accommodates $\pm 3^\circ$ of misalignment
- Corrosion resistant option for corrosive/food and clean room applications



[Please click here to view the Z-Series Corrosion Resistant Catalogue](#)
[Please click here to view the ZIMM MSZ Catalogue](#)



HepcoMotion
Lower Moor Business Park,
Tiverton Way, Tiverton,
Devon, EX16 6TG

Tel: +44 (0) 1884 257000
Fax: +44 (0) 1884 243500

[Send us an email](#)

See us on



Visit our website

HepcoMotion®

Scan this QR
code to link
directly to the
HepcoMotion
Home page



HEPCO
www.HepcoMotion.com