

Incorporating Hepco DLS units & GV3 slide beams into Hepco MCS and other proprietary framework systems

There are 5 basic types of junction when attaching DLS and SB units to a framework system. These are shown in the illustrations of examples.

There are 3 basic types of fixing bracket in several sizes available for connecting DLS and SB units to a framework system. These are shown on page 2.

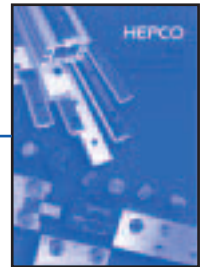
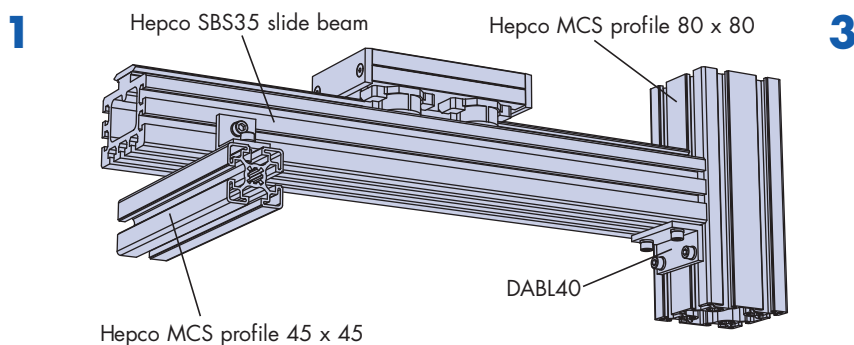
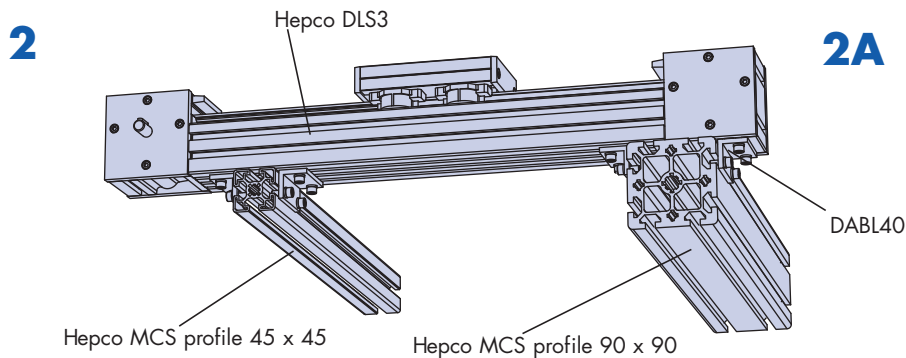
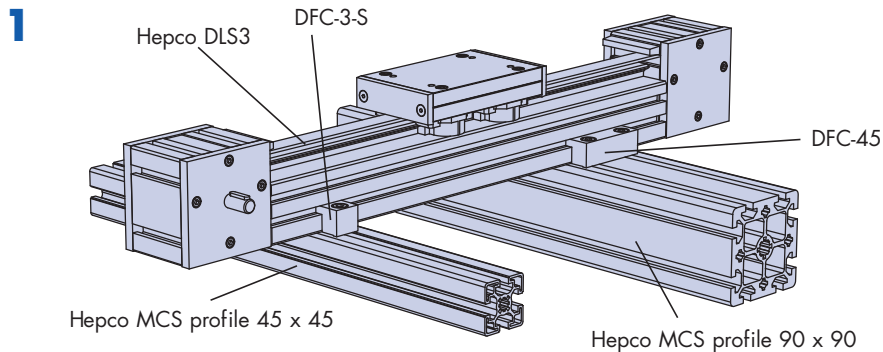
Hepco fixing brackets are also suitable for attaching DLS and SB units to corresponding sizes of profile supplied by most other framework system manufacturers. Simply check that T slot opening and T slot centres correspond with Hepco MCS and use the manufacturer's T nuts with required thread size. (Screw lengths may need adjusting).

To determine the possible combinations of fixing bracket and DLS/SB units for the required junction, refer to the table on page 3. For detailed information on relevant Hepco products, please consult the following catalogues:

DLS DLS linear transmission and positioning system.

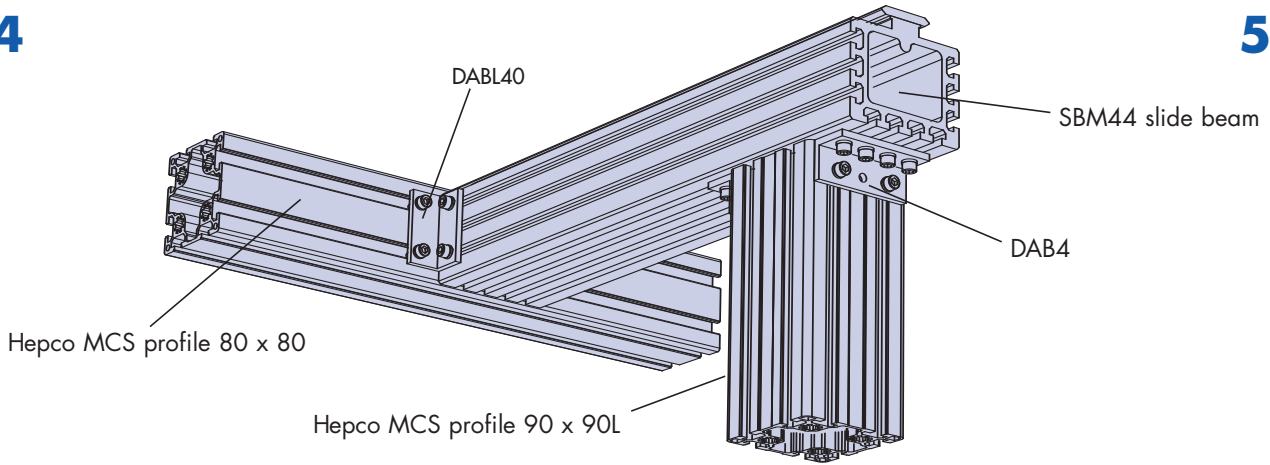
SB GV3 linear guidance and transmission system pages 30 & 31.

MCS..... MCS aluminium frame and machine construction system.



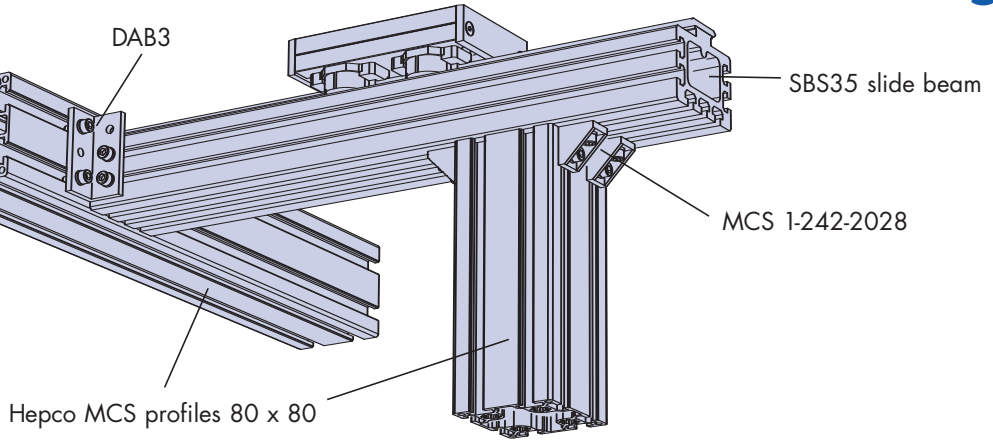
4

5

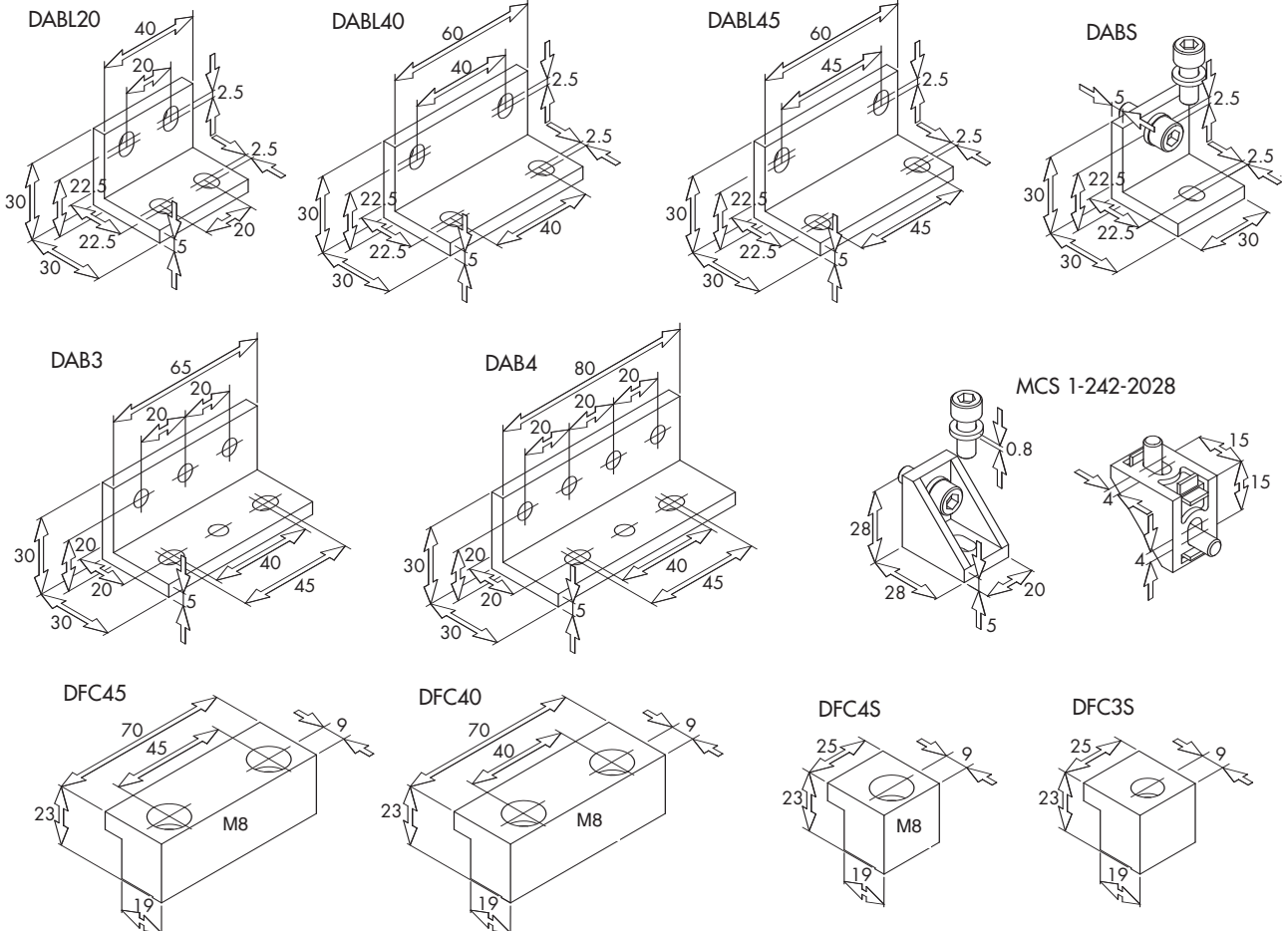


4

5



Fixing brackets



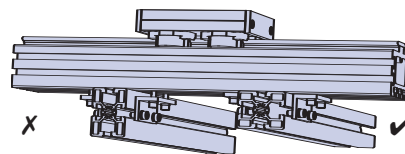
All brackets have holes and slots with clearance for M6 screws, unless otherwise stated. (Screws specified but not supplied: refer to table.)

Compatibility Table

JOINT	SB / DLS	BRACKET	T-Nut (MCS)	T-Nut (DLS/SB)	Screw (MCS)	Screw (DLS/SB)	MCS PROFILE															
							30x30	30x60	30x90	40x40	40x80	45x45	45x60	45x90	60x60	80x80	90x90	80x160				
1	DLS3 DLS4 SBS & SBM	DFC-3-S	1026	NONE	M6x22	NONE	✓	✓	✓													
			1002		M8x22																	
		DFC-4-S	1002		M8x25																	
			1002		M8x25																	
		DABL-40	1001		M6x16																	
		DABL-45	1001		M6x16																	
		DAB-S	1026		M6x12																	
1001	M6x16																					
2	DLS3 & SBS DLS4 & SBM	DABL-40	1001	RTN8M6	M6x16	M6x16																
		2 x DABL20	1001		M6x16																	
2A	DLS-3 DLS-4	2 x DABL40	1001	RTN8M6	M6x16	M6x16																
		2 x DABL20					1001	M6x16														
1 x DABL20	1001	RTN8M6	M6x16	M6x16																		
3	SBS	DAB3	1001	RTN8M6	M6x16	M6x16																
		1-242-2028	1026		M6x12		✓◆	✓◆●	✓◆●													
			1001		M6x12																	
	1001	M6x16																				
	SBM	DAB4	1026		M6x12		✓◆	✓◆●	✓◆●													
		1001	M6x16																			
		1-242-2028	1026		M6x12		✓◆	✓◆●	✓◆●													
1001		M6x12																				
1001	M6x16																					
1001	M6x12																					
4	SBS	DAB3	1001	RTN8M6	M6x16	M6x16																
		1-242-2028	1026		M6x12		✓◆	✓◆●	✓◆●													
			1001		M6x12																	
	DAB3	1001	M6x16																			
	SBM	DAB3	1026		M6x16		✓◆	✓◆●	✓◆●													
		1001	M6x12																			
		1-242-2028	1026		M6x12																	
1001		M6x16																				
1001	M6x12																					
1001	M6x16																					
5	DLS3 & SBS	DAB3	1001	RTN8M6	M6x16	M6x16																
		1-242-2028	1026		M6x12		✓	✓●	✓●													
			1001		M6x12																	
	1001	M6x16																				
	DLS4 & SBM	DAB4	1026		M6x12		✓■	✓●■	✓●■													
		1001	M6x16																			
		1-242-2028	1026		M6x12		✓■	✓●■	✓●■													
1001		M6x16																				
1001	M6x12																					
1001	M6x16																					

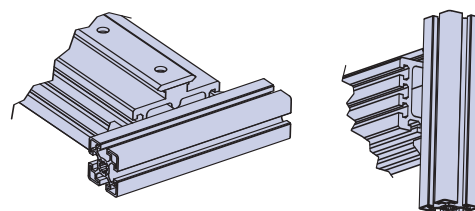
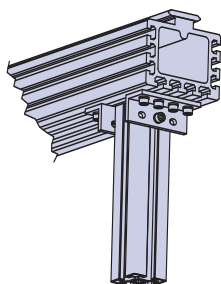
✓ These joints are possible.

✓● The joint is possible for only one orientation of the MCS section



✓■ The joint is possible but the bracket is wider than the MCS section.

✓◆ Joint is possible but the hollow in the SB is partially exposed.

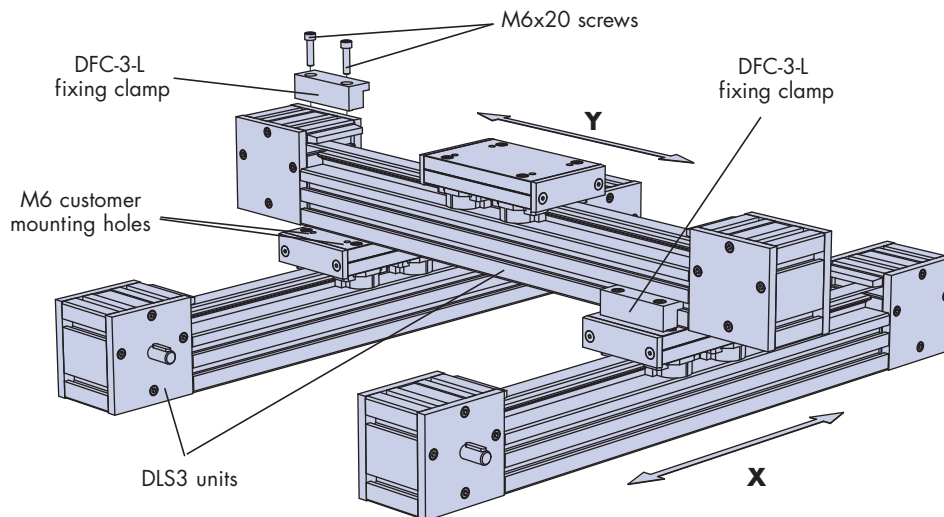


Joining DLS units together to make multi-axis systems

The lightweight DLS profile may be preferable for high inertia Y axis applications. Please refer to Hepco DLS and GV3 catalogues. X and Y axis DLS units may be coupled together in any combination of size. Fixing holes must be drilled and tapped accordingly. For Z axis requirements please refer to Cantilever axis in DLS catalogue.

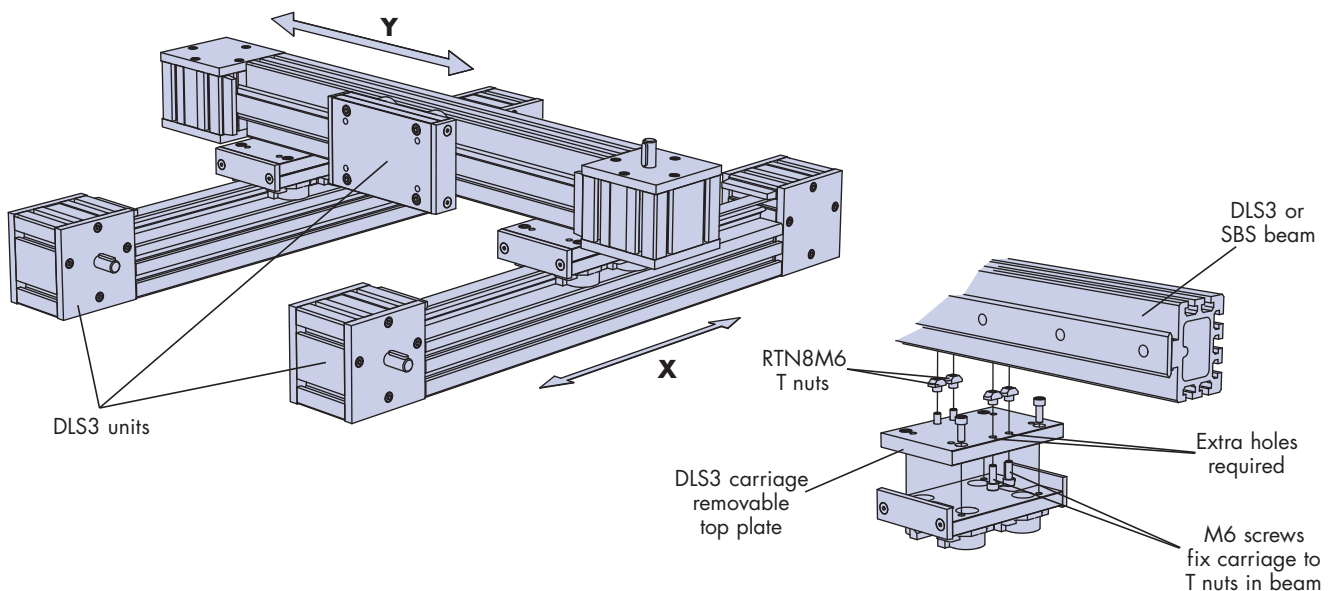
Clamp method

For attaching Y axis in orientation as shown. Please refer to DLS catalogue for details of the DFC-3-L and DFC-4-L



T-nut method

For attaching Y axis in either orientation (refer both illustrations). Heavy duty T-nut TN8M6 or T-nut strip TN8S should be used if lightweight Y axis profile is required (see GV3 catalogue).



HepcoMotion®, Lower Moor Business Park,
Tiverton Way, Tiverton, Devon, England EX16 6TG

Tel: +44 (0) 1884 257000

Fax: +44 (0) 1884 243500

E-mail: sales@hepcotion.com