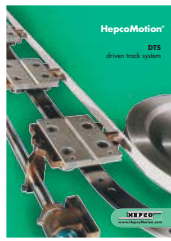




This data sheet interacts with  
**PRT2 Catalogue**  
50-51

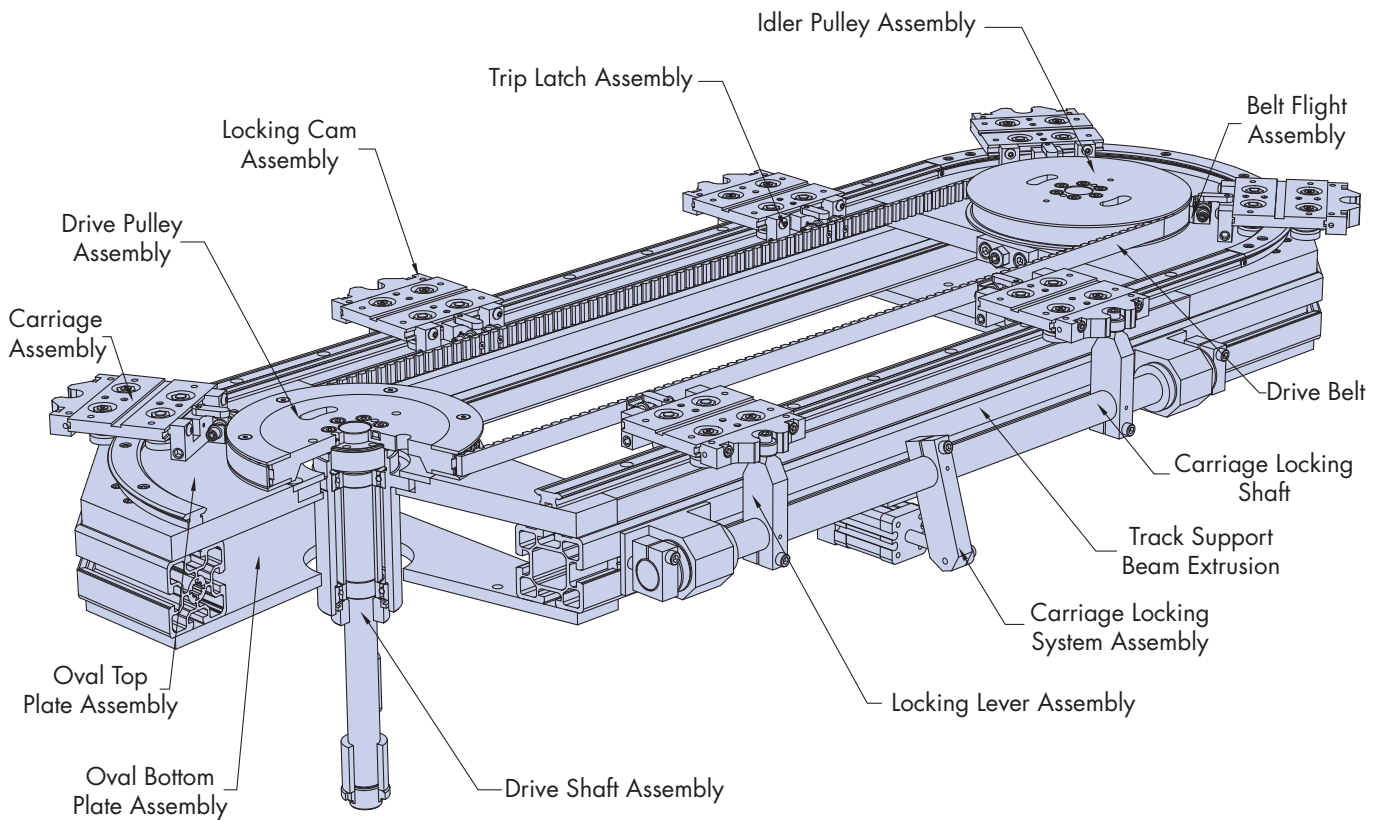


This data sheet interacts with  
**DTS Catalogue**

# HepcoMotion®

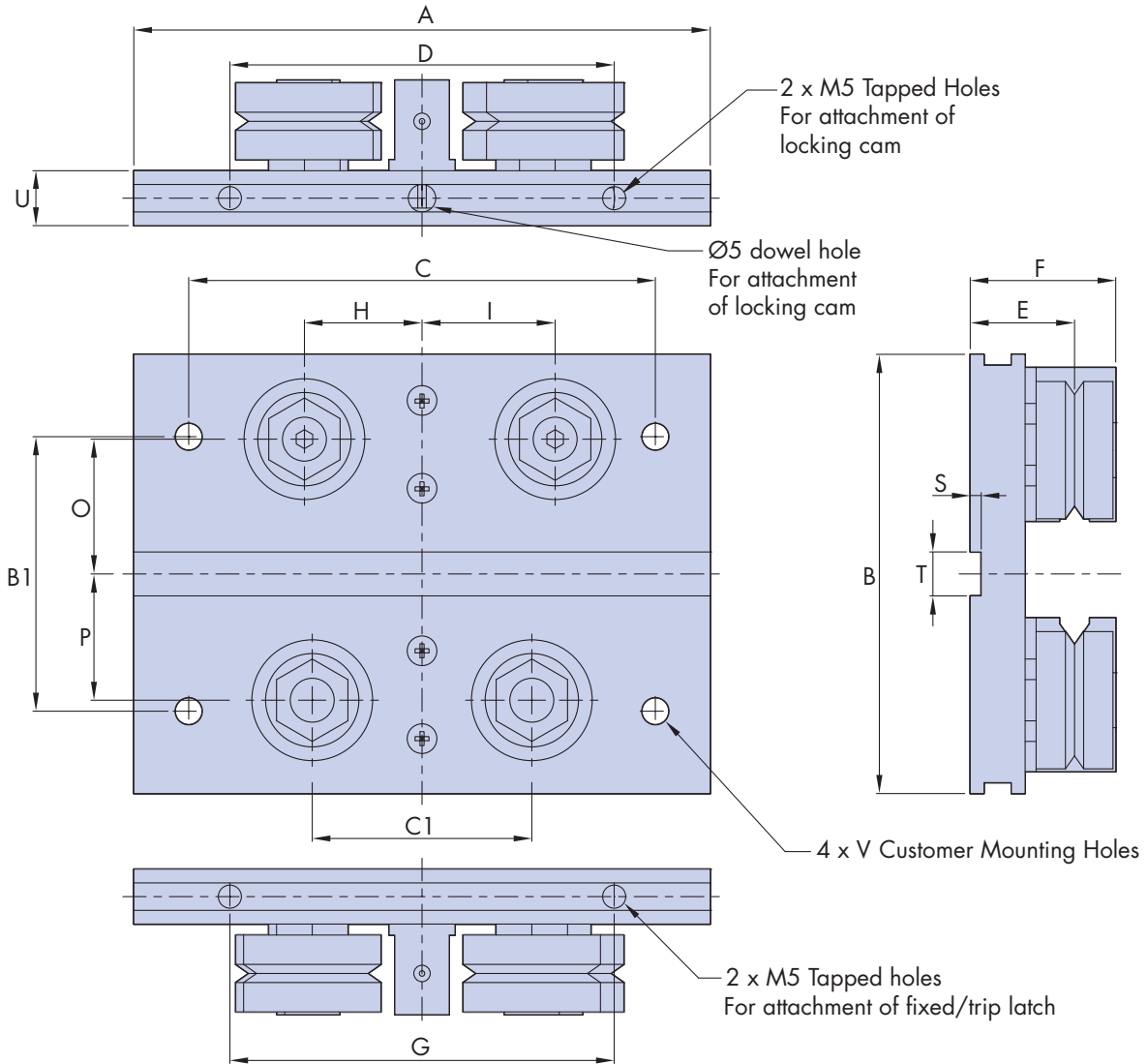
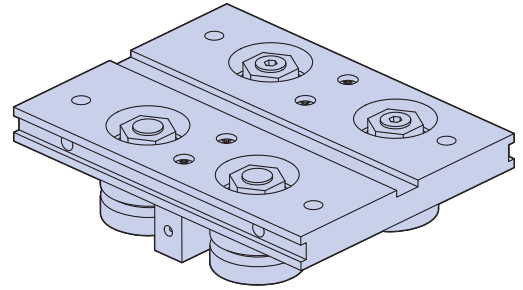
## No. 8 DTS Components


HepcoMotion® supply a comprehensive range of components and assemblies to enable the 25-351 and 44-612 size track systems to be incorporated into customers own designs complete with drive facility. Many of the components shown in this datasheet can also be used for other sizes of track system. The components are well proven having been used for many years in the HepcoMotion DTS, a complete and ready to use driven track system highly recommended for customers able to use this fully assembled standard product. This datasheet contains details and dimensions for the individual assemblies available. For more information or advice to suit a particular application, please contact Hepco's technical department.



# No. 8 DTS Components

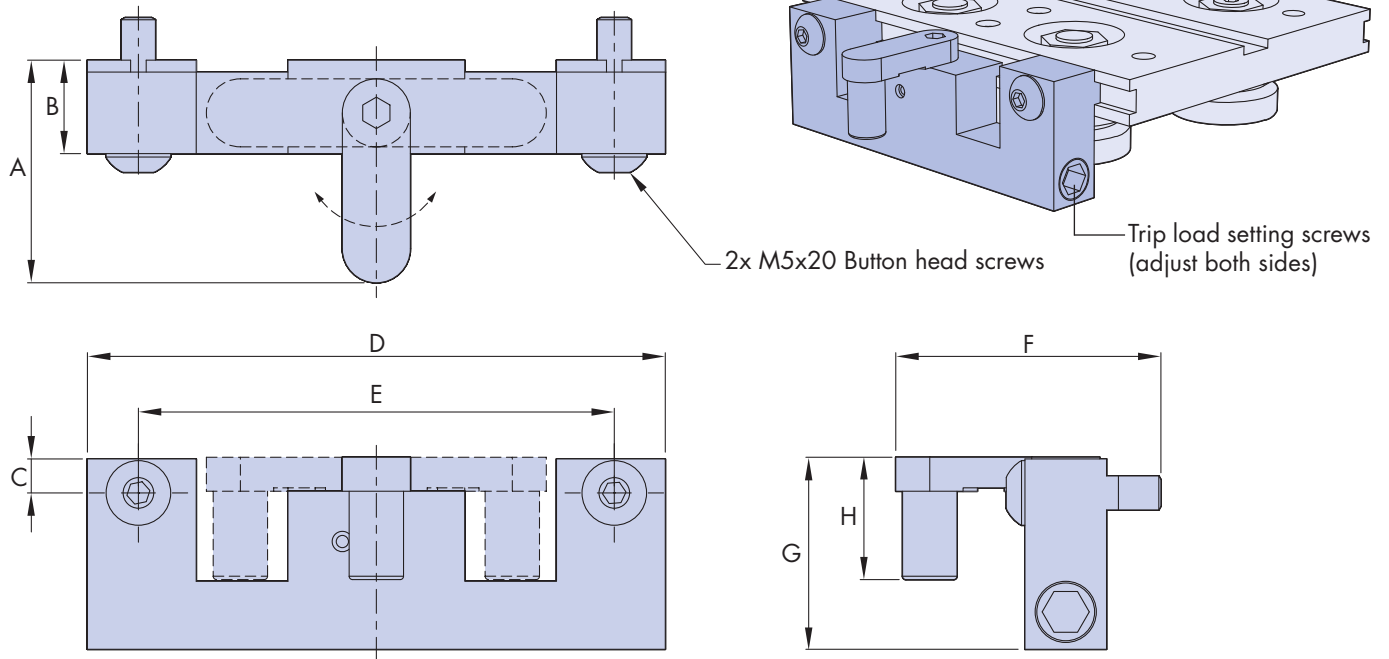
## Carriage Assembly



Part Number	A	B	B1	C	C1	D	E	F	G	H	I	O	P	S	T	U	V	 kg ~
<b>DTS25CPSA</b>	105	80	50	85	40	70	19	26.5	70	21.42	24.25	24.55	23	2	8	10	M6x1	0.42
<b>DTS44CPSA</b>	150	115	75	125	70	102	25.5	35.2	70	37.63	41.17	37.93	35.75	3	10	14	M8x1.25	1

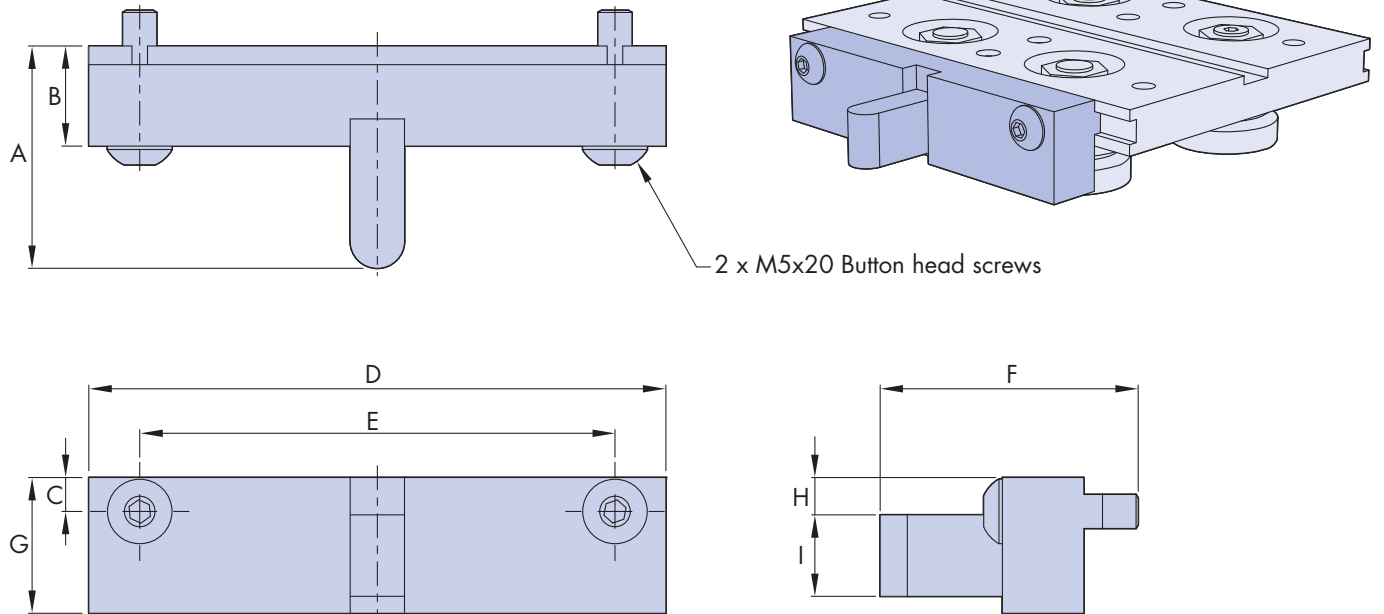
# No. 8 DTS Components

## Trip Latch Assembly



Part Number	A	B	C	D	E	F	G	H	kg~
DTS25TLSA	32.75	13.75	5	85	70	39	28.25	18	0.19
DTS44TLSA	33.75	14.75	5	85	70	39	28.25	18	0.19

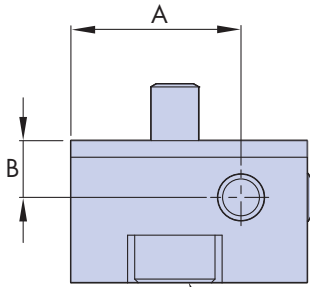
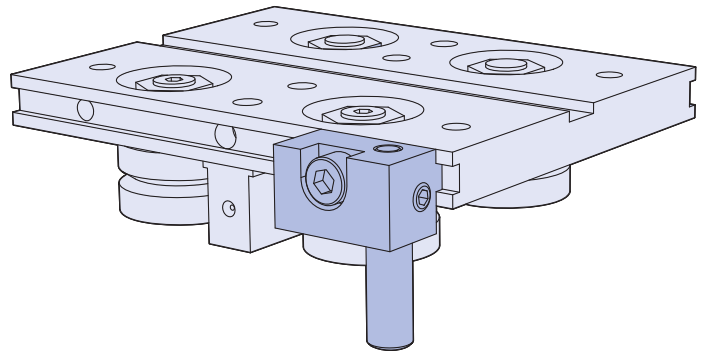
## Fixed Latch Assembly



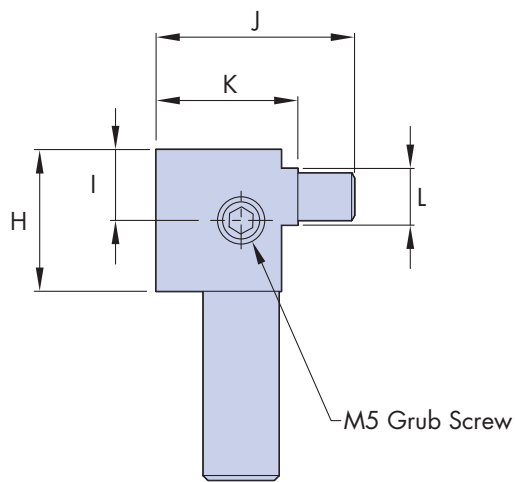
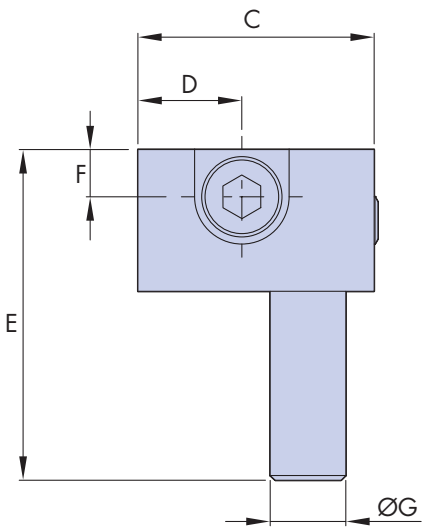
Part Number	A	B	C	D	E	F	G	H	I	kg~
DTS25FLSA	31.75	13.75	5	85	70	38	20	5.5	12	0.18
DTS44FLSA	32.75	14.75	5	85	70	38	20	5.5	12	0.18

# No 8 DTS Components


## Sensor Block Assembly



M5x16 Cap head screw

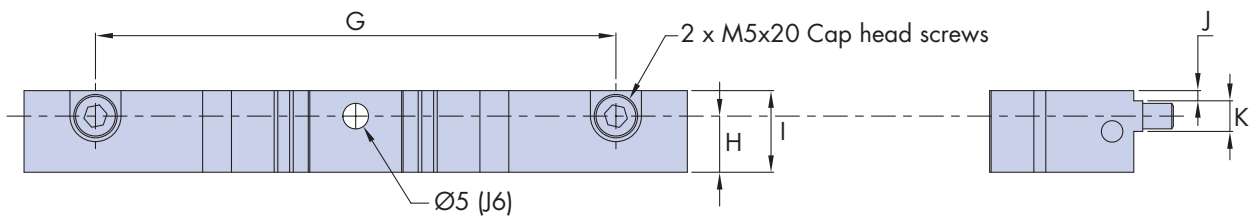
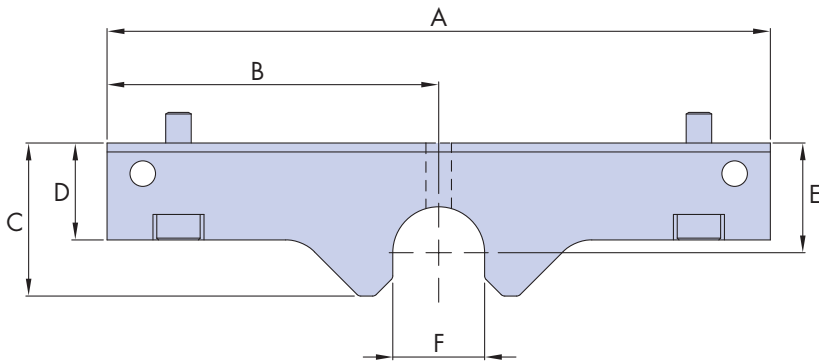
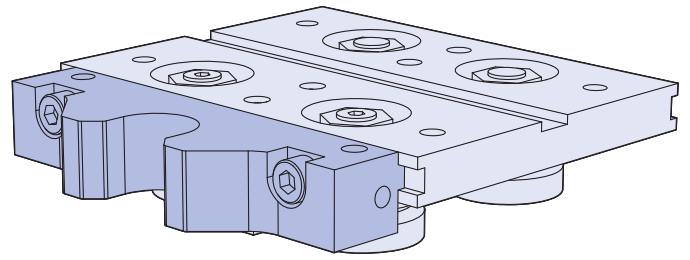



M5 Grub Screw

Part Number	A	B	C	D	E	F	ØG	H	I	J	K	L	 kg~
DTS25SBSA	18	6	25	12.5	35	5	8	15	7.5	21	15	5	0.05
DTS44SBSA	18	6	25	11	35	5	8	15	7.5	21	15	6	0.05

# No 8 DTS Components

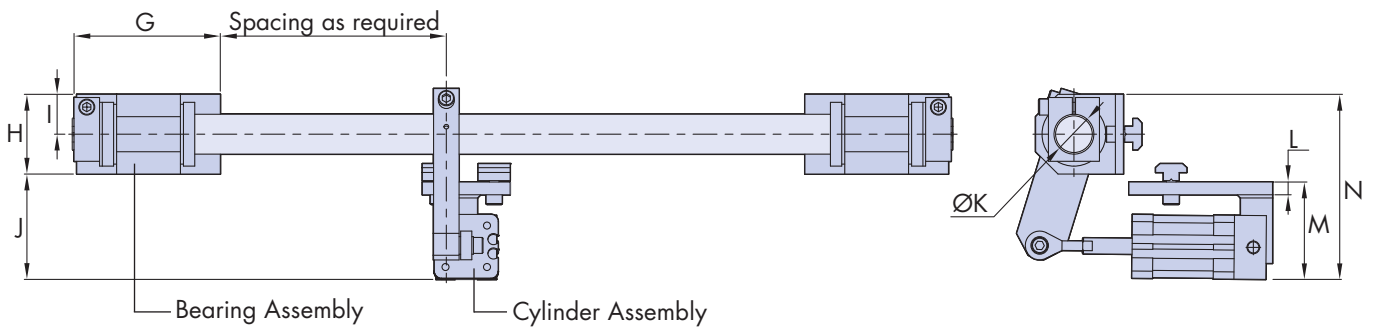
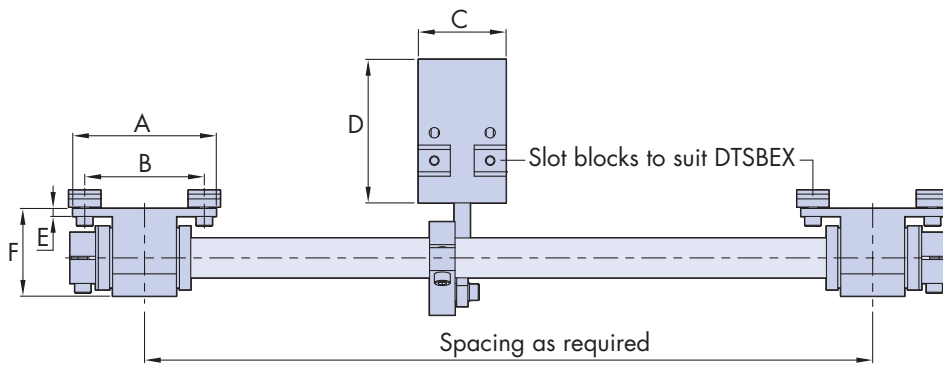
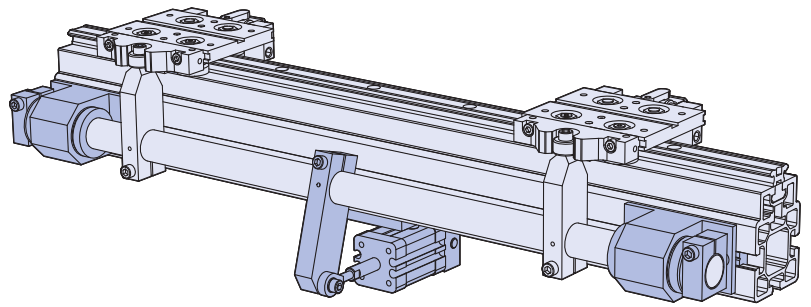
## Locking Cam Assembly



Part Number	A	B	C	D	E	F (H8)	G	H	I	J	K	 kg~
<b>DTS25LCSA</b>	95	47.5	30	19	21.5	18	70	11	16	2.5	5	0.23
<b>DTS44LCSA</b>	130	65	30	19	21.5	18	102	11	16	2	6	0.30

# No 8 DTS Components

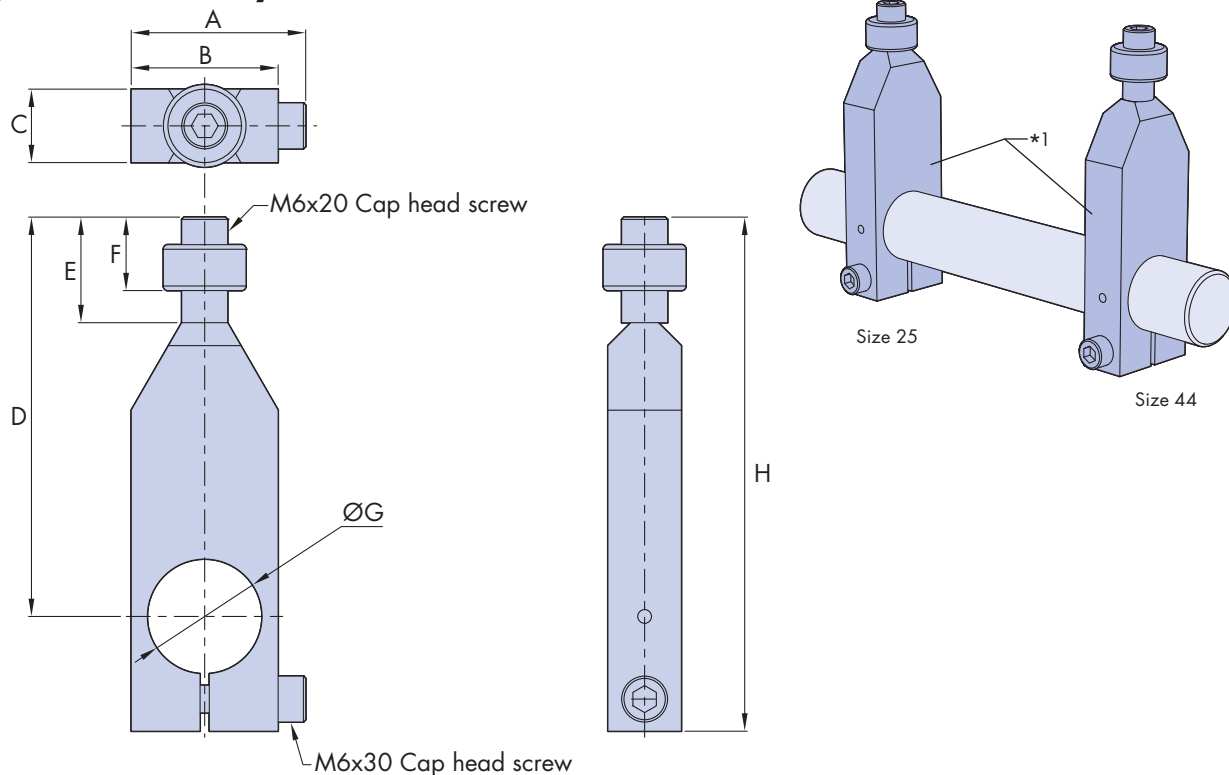
## Basic Carriage Locking Assembly



Part Number	A	B	C	D	E	F	G	H	I	J	ØK (H8)	L	M	N	kg~	
															Bearing Assembly	Cylinder Assembly
DTS25CLS	90	75	55	90	5	55	91.7	50	25	67	25	8	62	117	0.77	1.21
DTS44CLS	90	75	55	90	22.5	72.5	91.7	50	25	67	25	8	62	117	1.38	1.21

# No 8 DTS Components

## Locking Lever Assembly



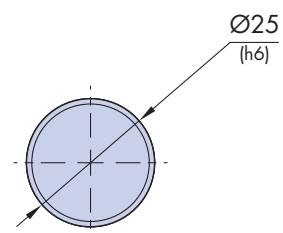
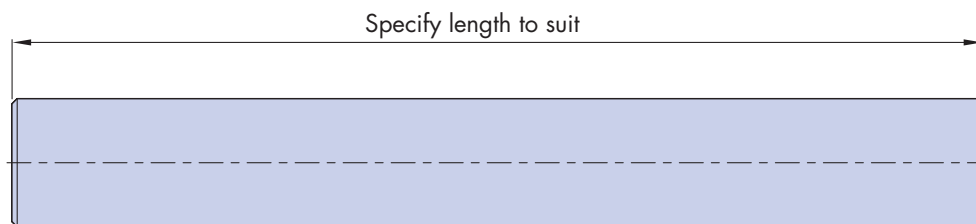
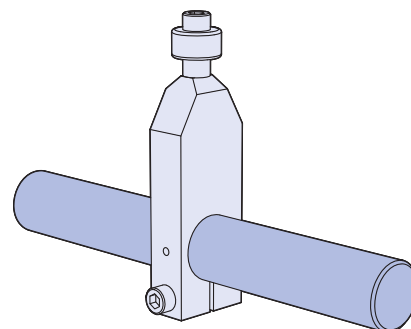
Part Number	A	B	C	D	E	F	ØG (H8)	H	kg~
<b>DTS25LLSA</b>	38	32	16	80	-	16	25	105	0.28
<b>DTS44LLSA</b>	38	32	16	87	23	16	25	112	0.29

Note:

- Up to 8 locking levers on one shaft can be operated by a single cylinder depending on carriage spacing, please contact Hepco's technical department.

## Carriage Locking Shaft

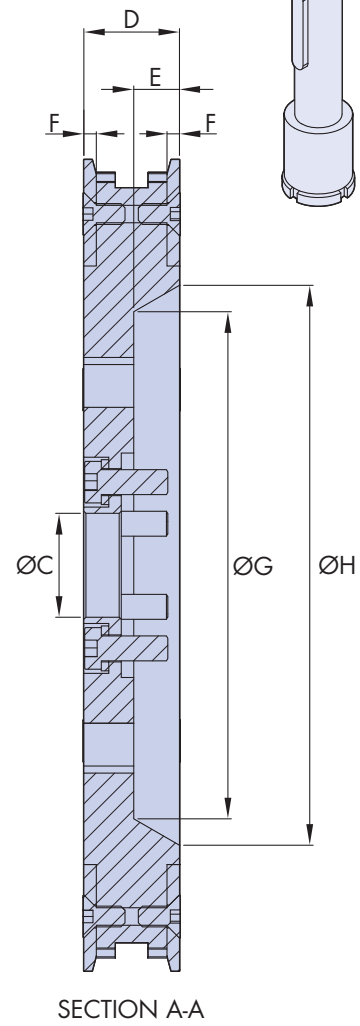
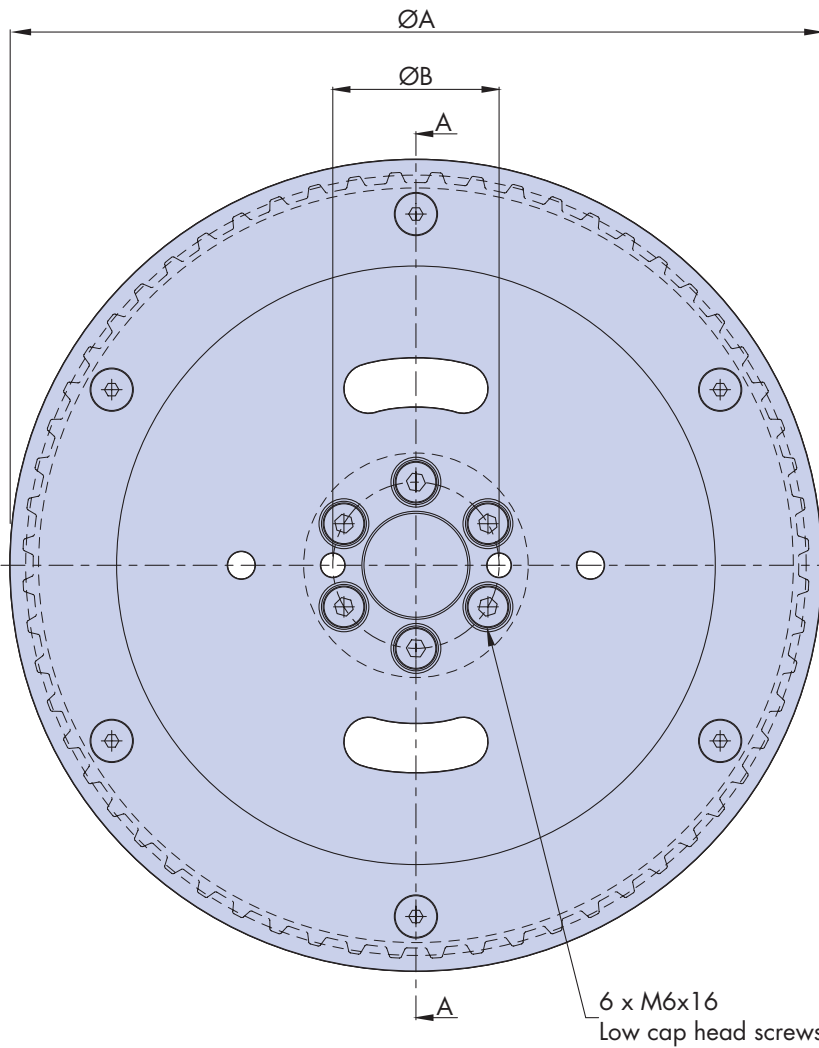
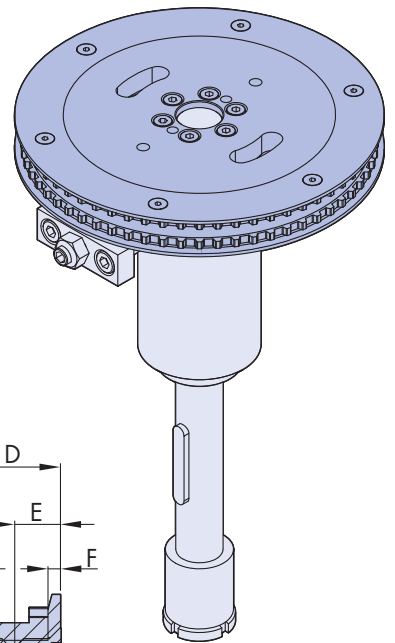
**NIM25SS316**



kg/m~
3.8

# No. 8 DTS Components

## Drive Pulley Assembly

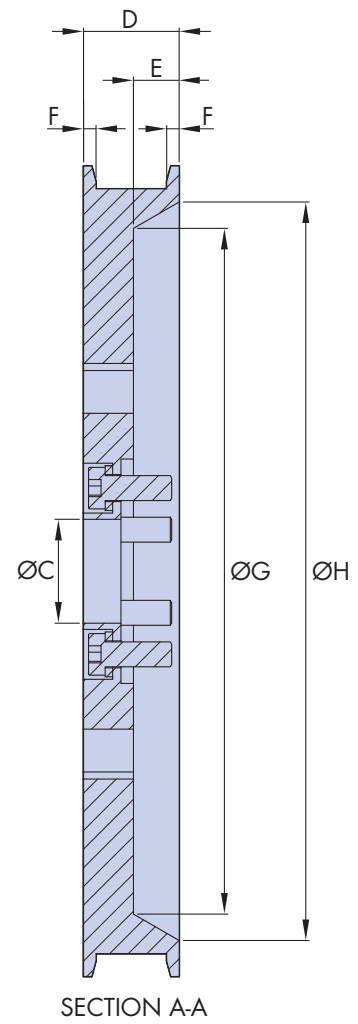
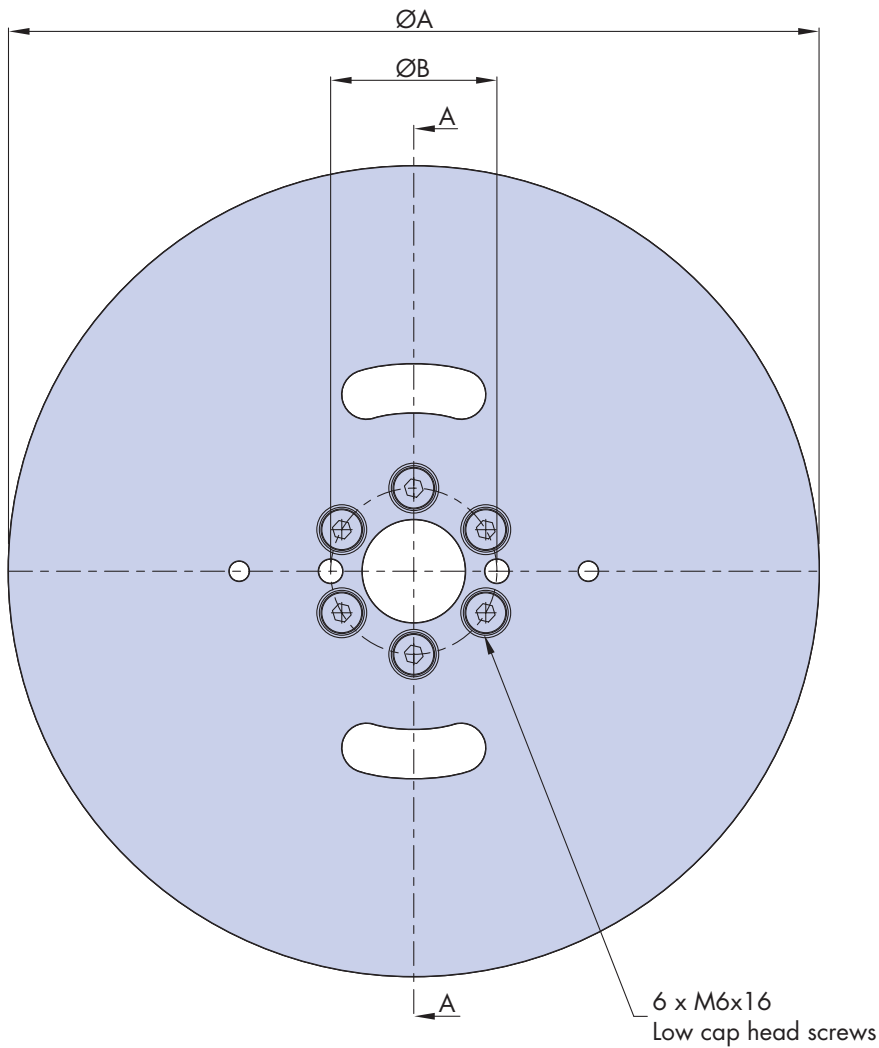
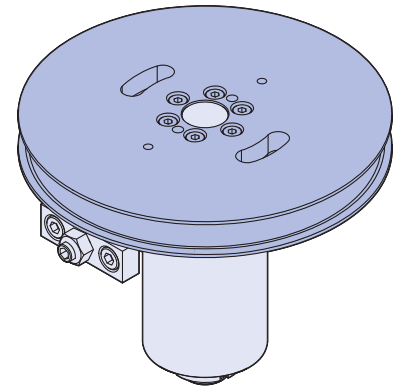



Part Number	ØA	ØB (PCD)	ØC (H8)	D	E	F	ØG	ØH	No of Teeth	Teeth profile to suit	 kg~
<b>DTS25DPSA</b>	195.2	40	25	23	11	3	122	135	60	16AT10-EL	1.3
<b>DTS44DPSA</b>	424.3	40	25	32	20	3	327	350	132	25AT10-EL	7.1



# No. 8 DTS Components

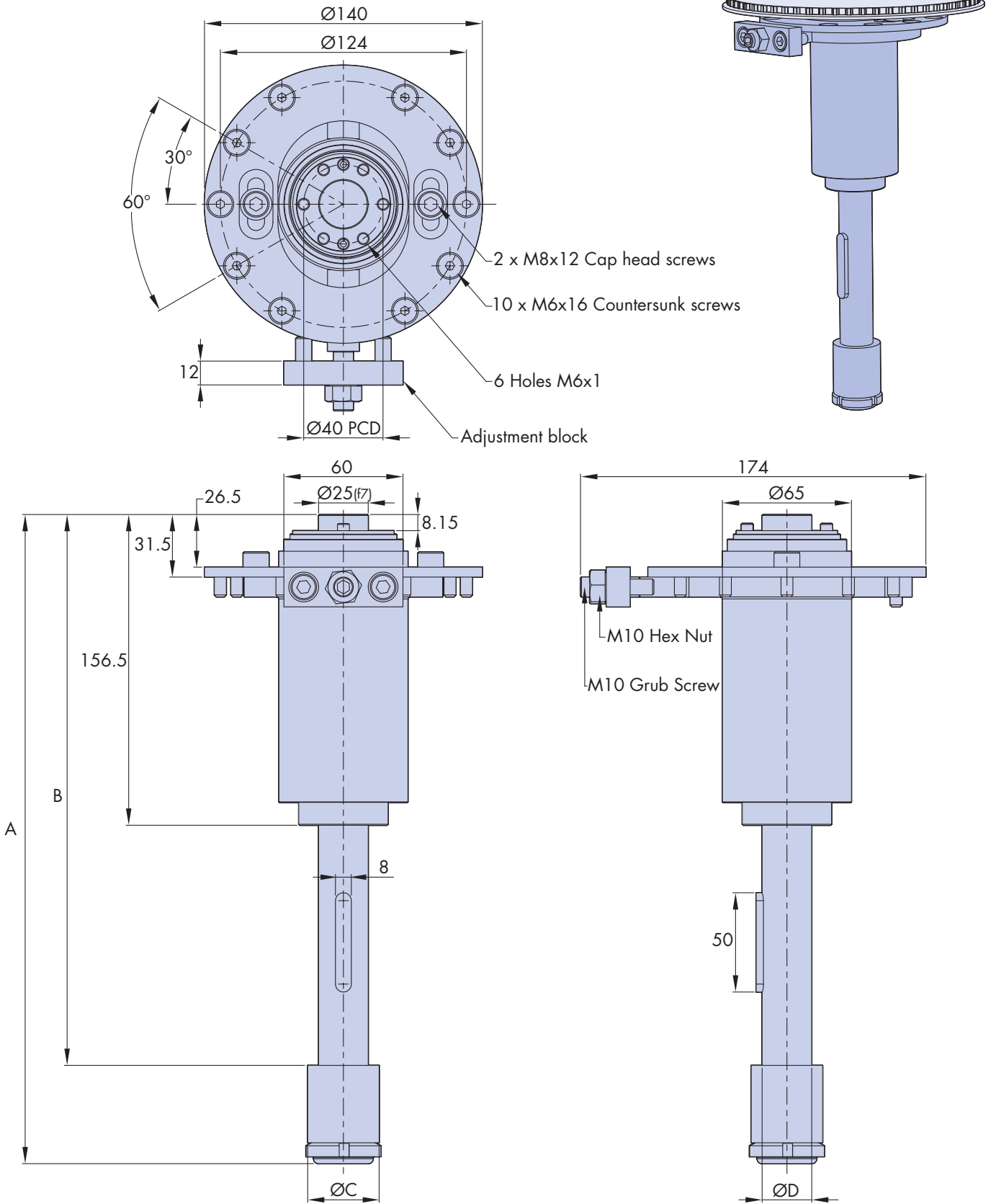
## Idler Pulley Assembly




Part Number	ØA	ØB (PCD)	ØC (H8)	D	E	F	ØG	ØH	 kg~
<b>DTS25IPSA</b>	195	40	25	23	11	3	165	178	0.98
<b>DTS44IPSA</b>	424.3	40	25	32	20	3	327	350	7.0

# No. 8 DTS Components

## Drive Shaft & Bearing Cartridge Assembly

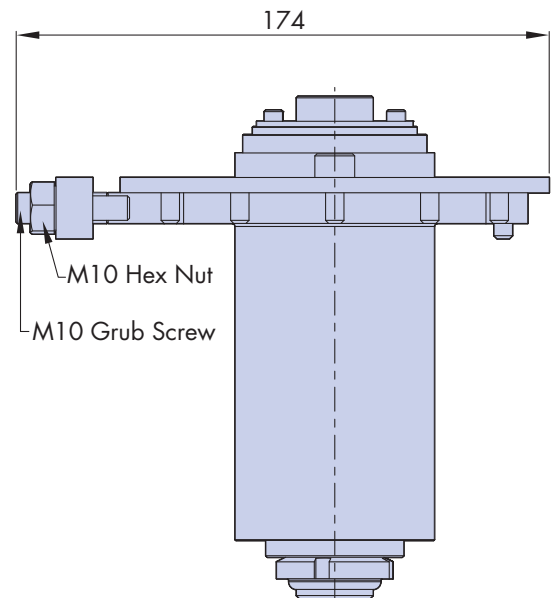
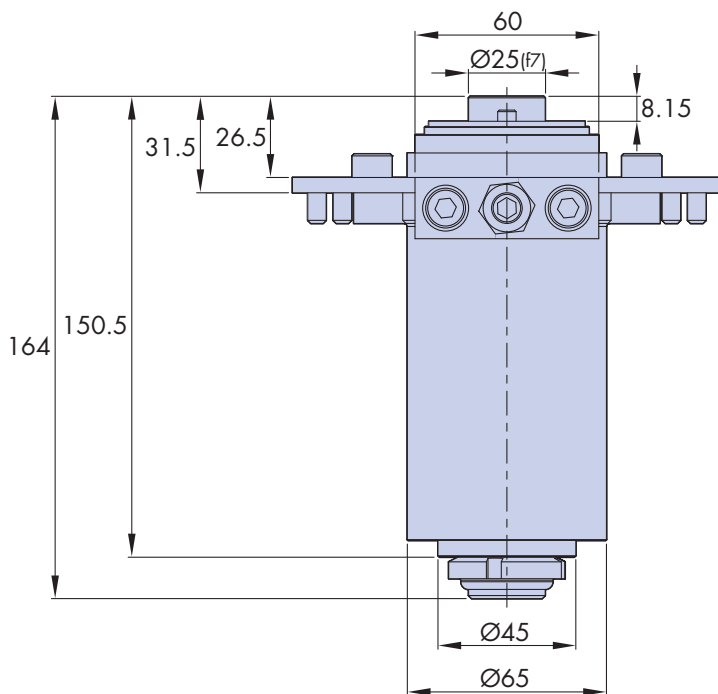
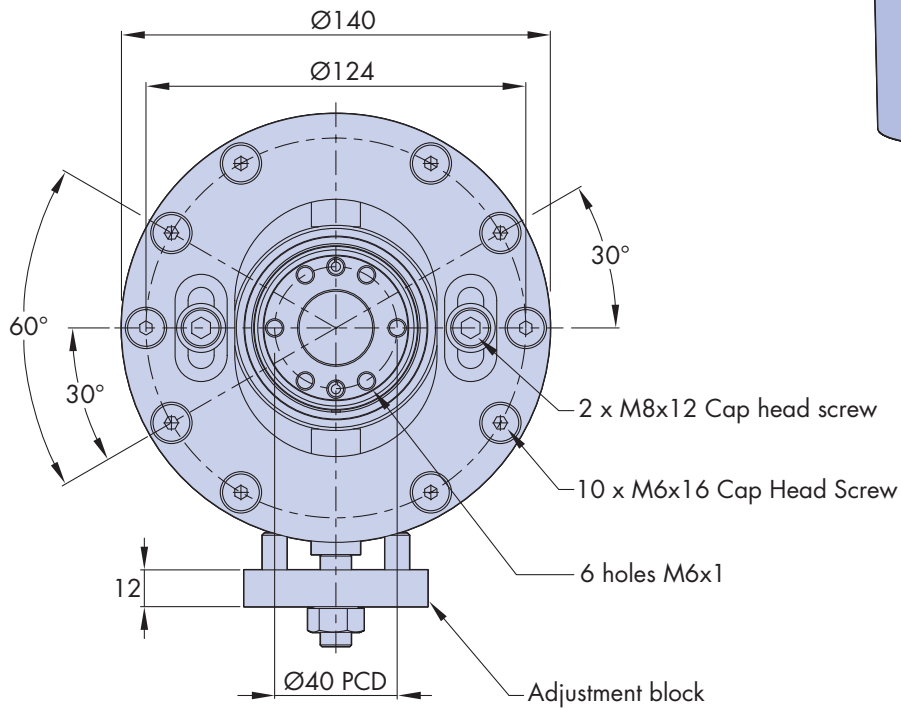
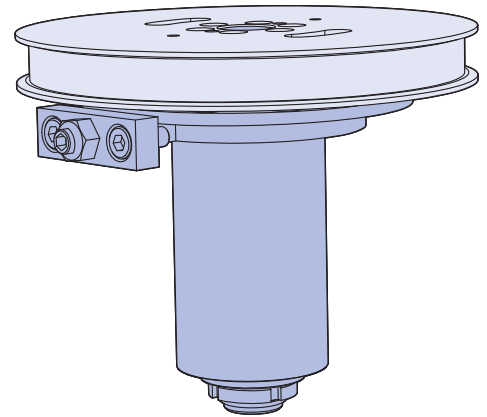



Part Number	A	B	$\varnothing C$	$\varnothing D$	 kg~
DTSDS25BCSA	327	277.5	36	25	4.55
DTSDS30BCSA	315	260.5	40	30	4.79

# No. 8 DTS Components

## Idler Shaft & Bearing Cartridge Assembly

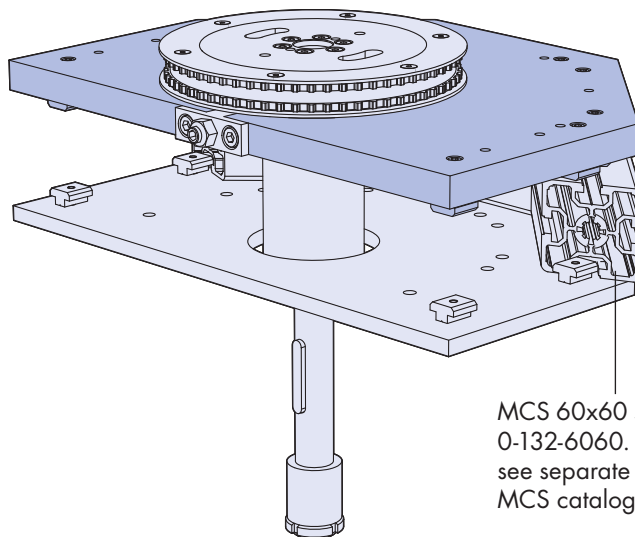
DTSISBCSA



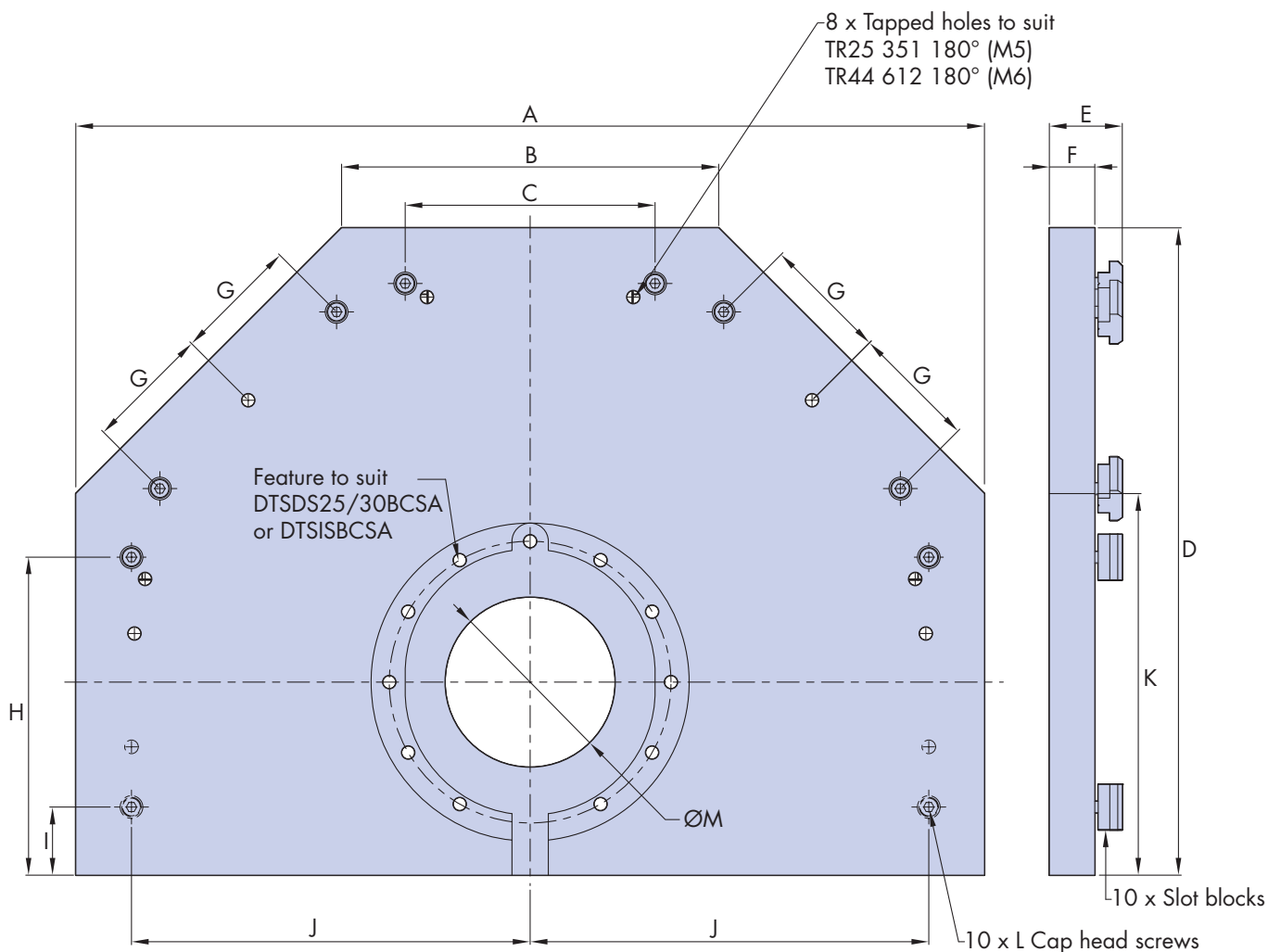
  
kg~  
3.75

# No 8 DTS Components

## Top Plate Oval Assembly



MCS 60x60 section  
0-132-6060. Please  
see separate Hepco  
MCS catalogue.



Part Number	A	B	C	D	E	F	G	H	I REF	J REF	K	L	ØM
<b>DTS25TPOSA</b>	400	166	110	285	30.5	20	55	140	30	175.5	168	M5	85
<b>DTS44TPOSA</b>	661	274	200	416	31.5	20	100	185.5	22.5	306	222	M6	85

Note

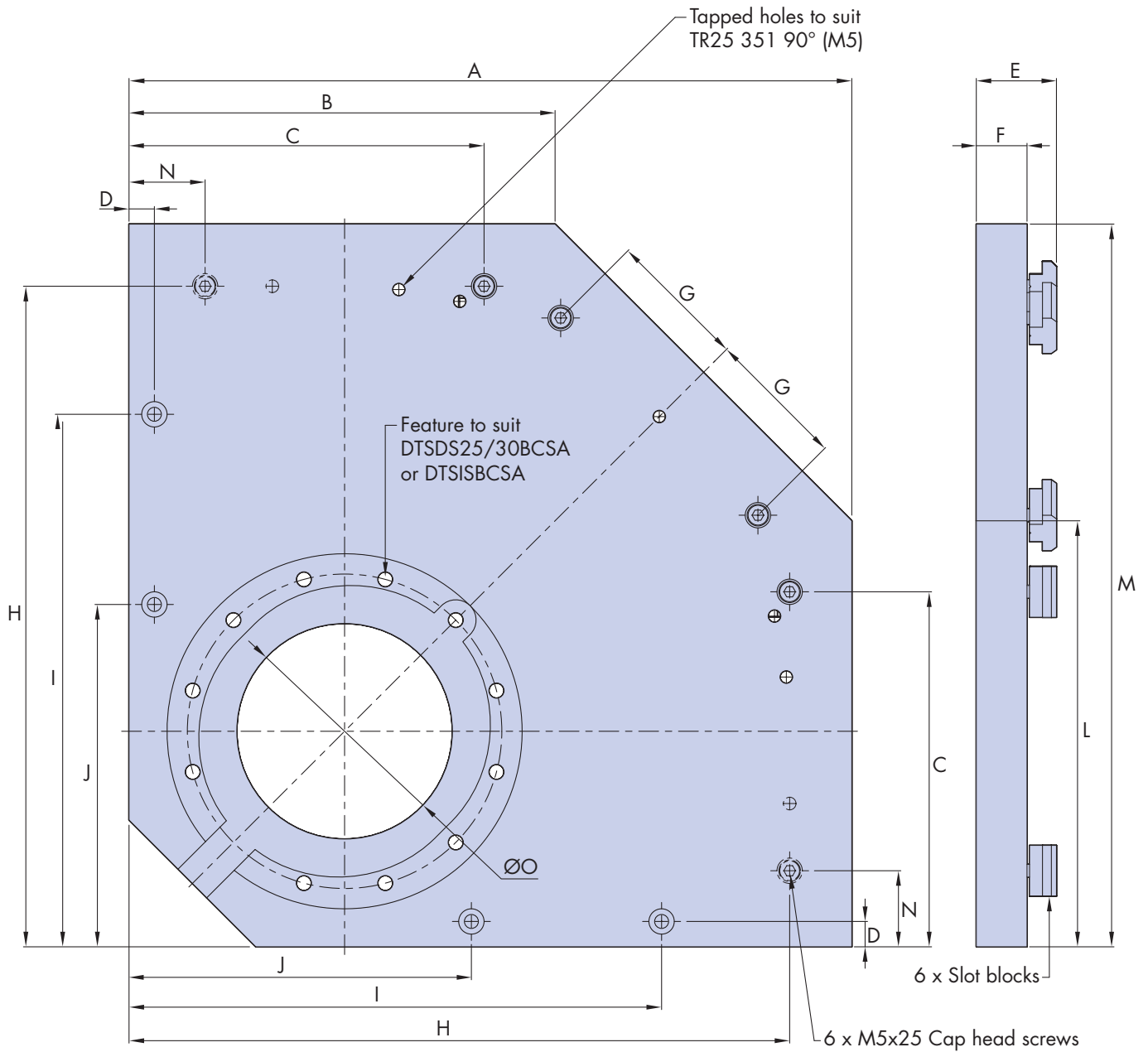
1. Ref dimensions are such as the holes are drilled on assembly



# No. 8 DTS Components

## Top Plate Rectangular Assembly

### DTS25TPRSA

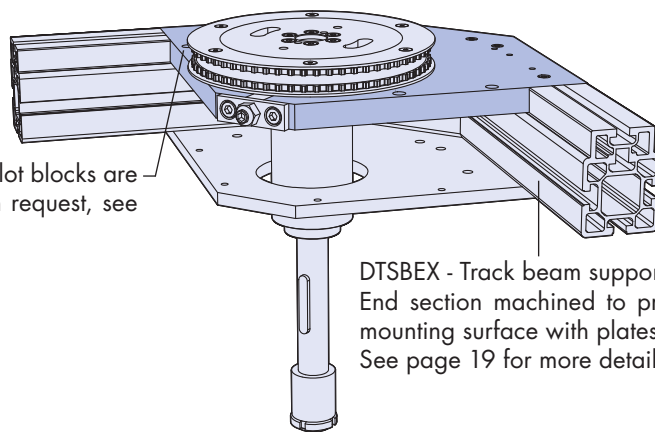


Part Number	A	B	C	D	E	F	G
DTS25TPRSA	285	168	140	10	30.5	20	55
DTS44TPRSA	415.5	222	185	10	32.5	20	100

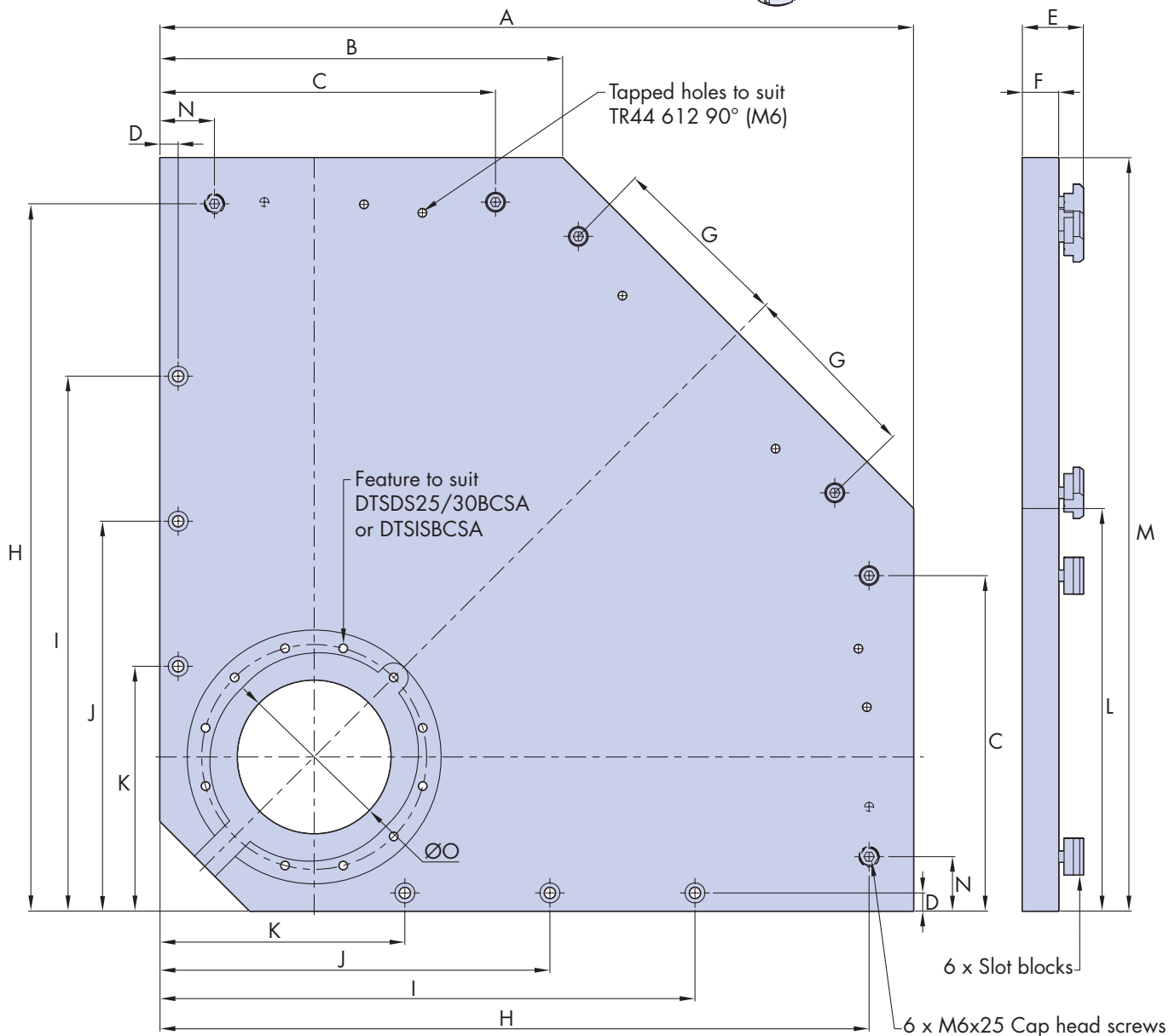
# No 8 DTS Components

## DTS44TPRSA

Additional Slot blocks are available on request, see page 19



DTSBEX - Track beam support extrusion  
End section machined to provide flush mounting surface with plates.  
See page 19 for more details.



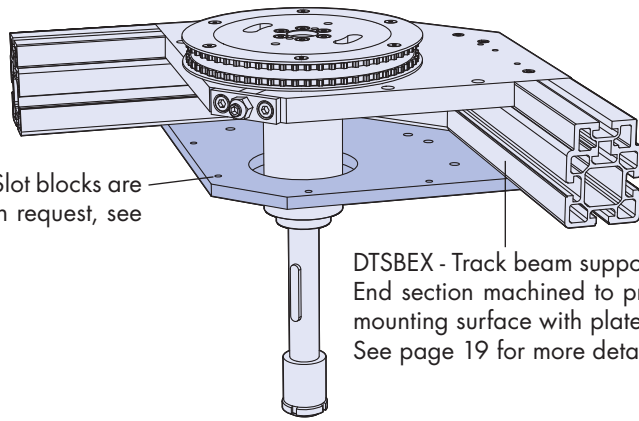
H	I	J	K	L	M	N*1 REF	ØO
260.5	210	135	-	168	285	30	85
391	295	215	135	222	415.5	30	85

Note

1. Ref dimensions are such as the holes are drilled on assembly

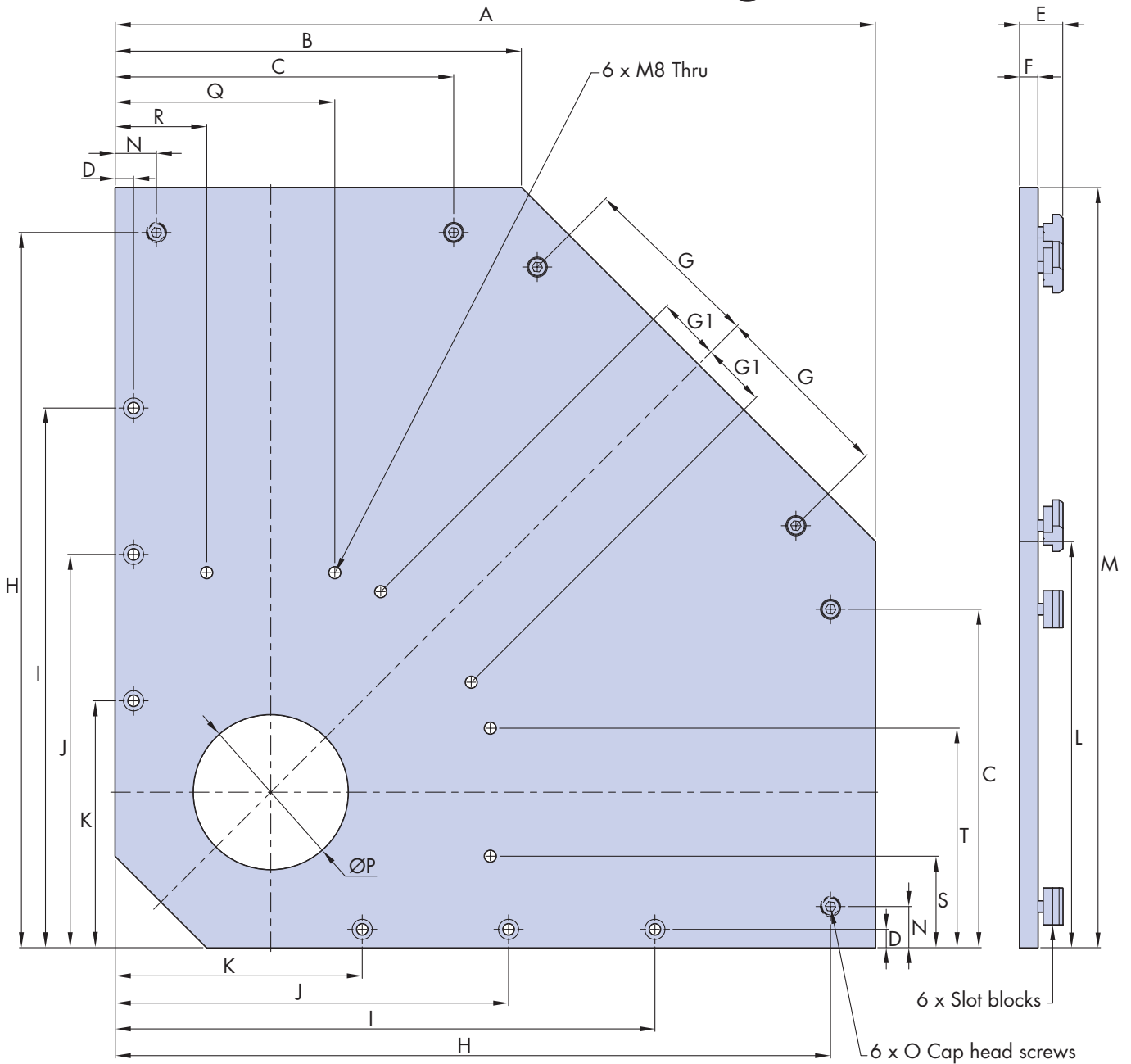
# No 8 DTS Components

## Bottom Plate Rectangular Assembly



Additional Slot blocks are available on request, see page 19

DTSBEX - Track beam support extrusion  
End section machined to provide flush mounting surface with plates.  
See page 19 for more details.



Part Number	A	B	C	D	E	F	G	G1	H	I	J	K	L	M	N	O	ØP	Q	R	S	T
<b>DTS25BPRSA</b>	285	168	140	10	21.5	10	55	35	260.5	170	70	-	168	285	30	M5	90	120	50	50	120
<b>DTS44BPRSA</b>	415.5	222	185	10	22.5	10	100	35	391	295	215	135	222	415.5	22.5	M6	85	120	50	50	120

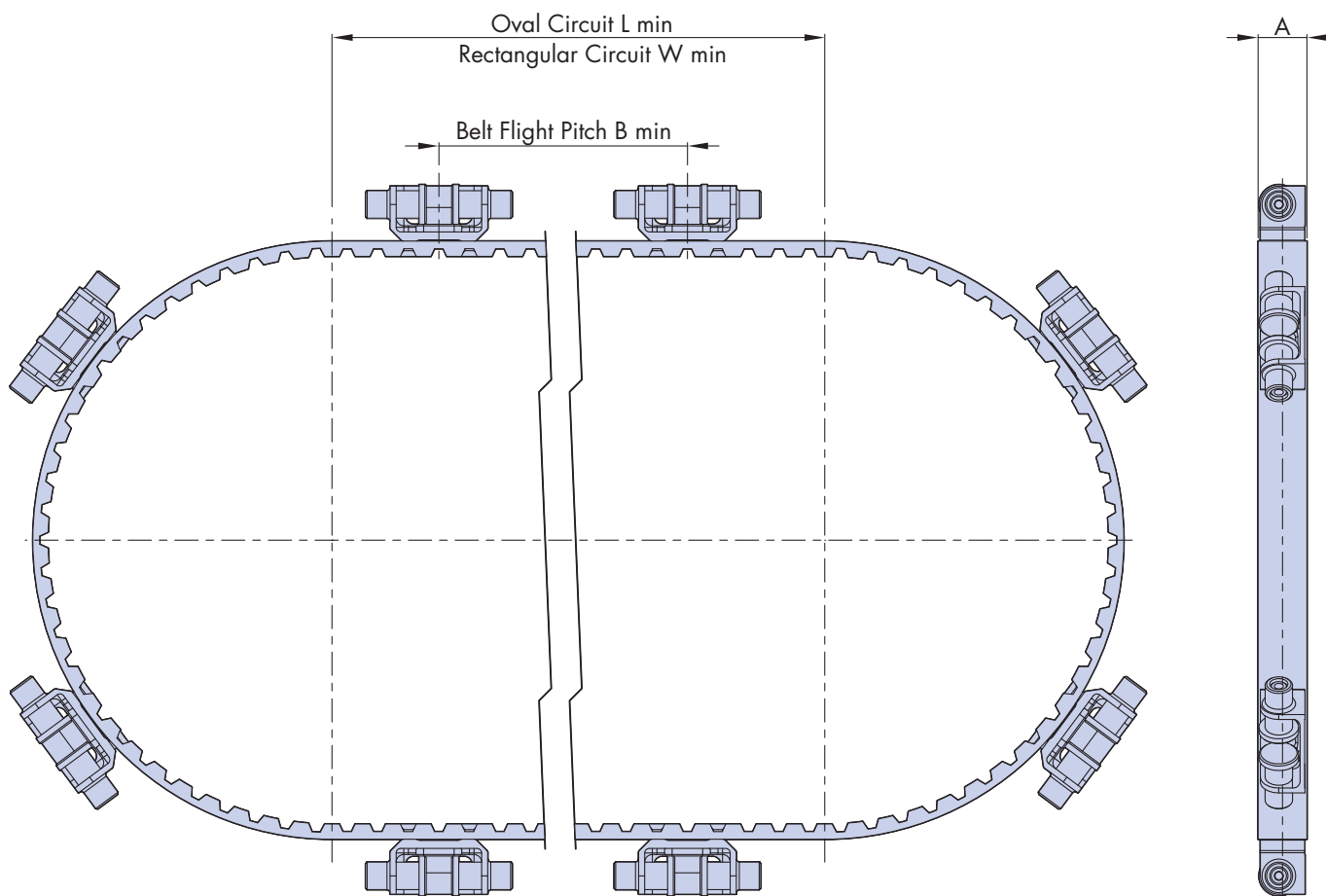
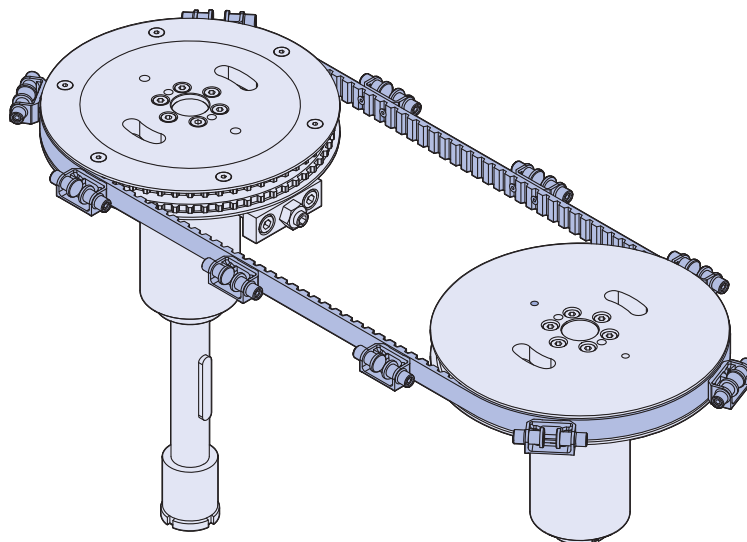
Note


1. Ref dimensions are such as the holes are drilled on assembly



# No 8 DTS Components

## Drive Belt



Part Number	A	B*1 (min)	L (min)	W (min)	 Belt kg/m~
<b>DTS25 16AT10-EL</b>	16	110	250	450	0.101
<b>DTS44 25AT10-EL</b>	25	160	250	450	0.158

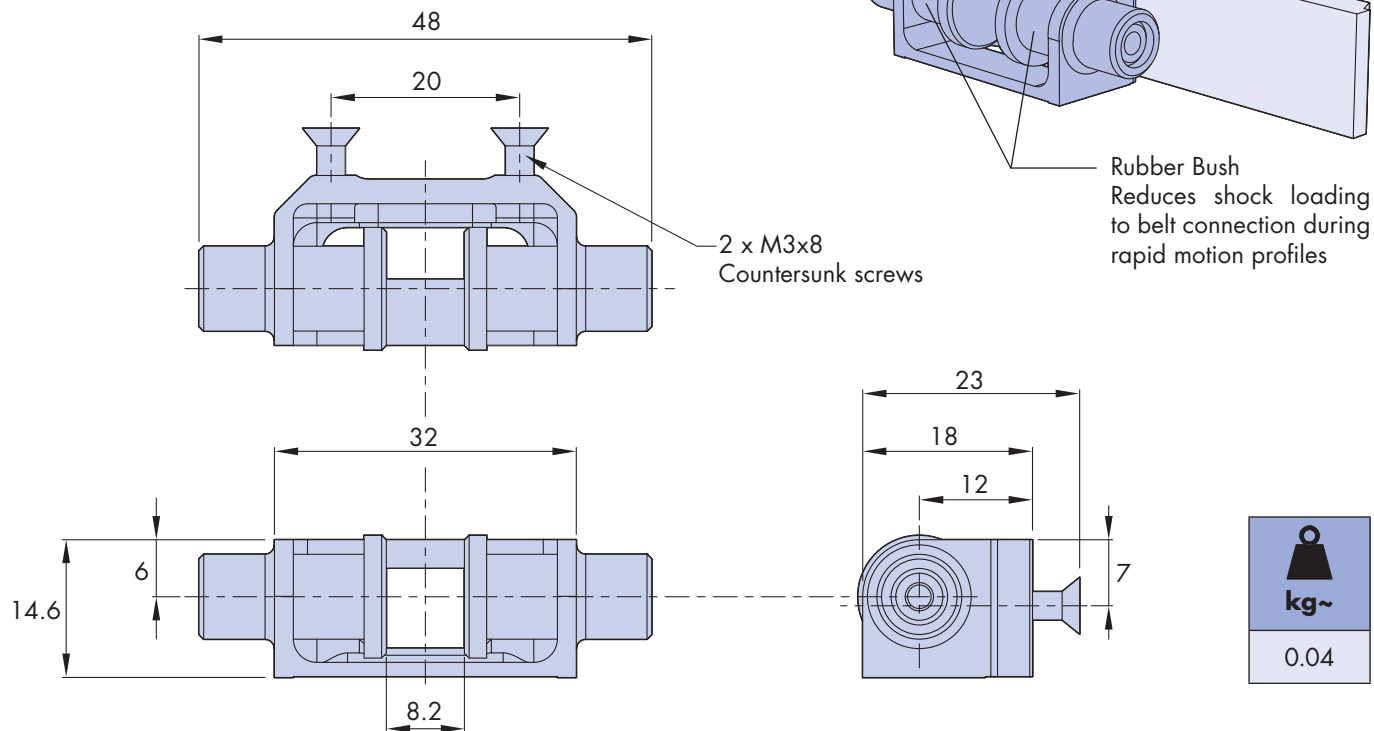
### Note

1. Pitches are available in increments of 10mm from the minimum value stated above, value will correspond to carriage spacing.
2. Belt flights come with the drive belt as standard, please state number required and pitch when ordering, this will correspond to the number of carriages required.
3. For more details and dimensions of belt flights, please see page 18.

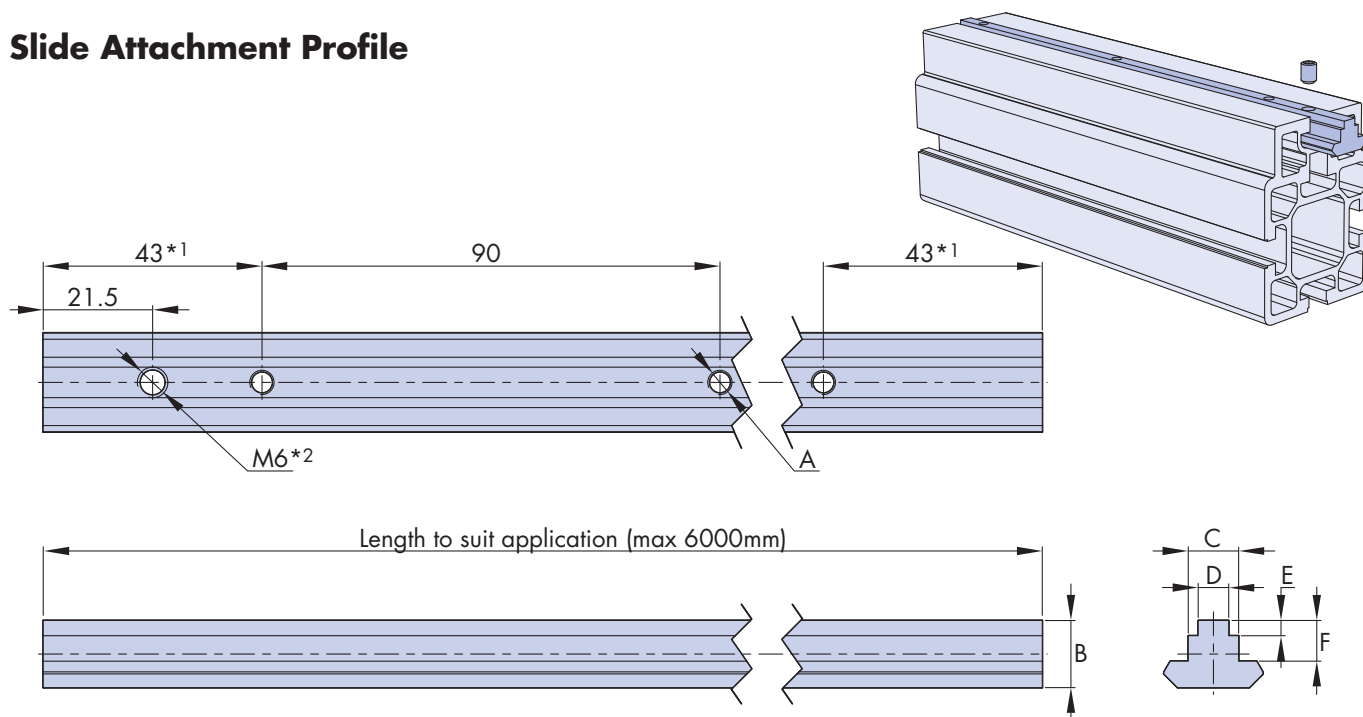
# No 8 DTS Components

## Belt Flight Assembly

**DTSBFSA**



## Slide Attachment Profile



Part Number	A	B	C	D	E	F
TNSA10D6H5	M5	13.2	9.9	6	3	8
TNSA10D8H6	M6	13.2	9.9	8	3	8

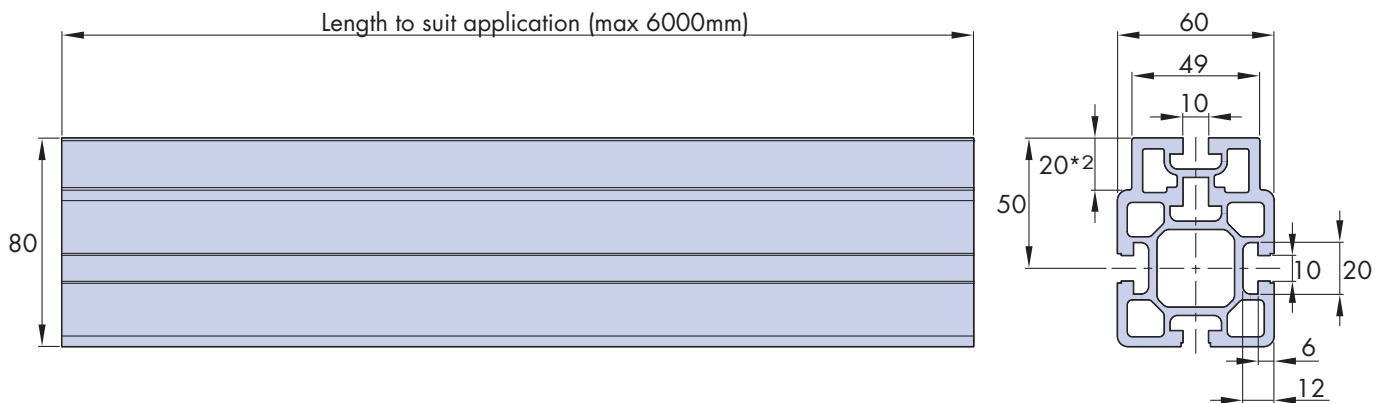
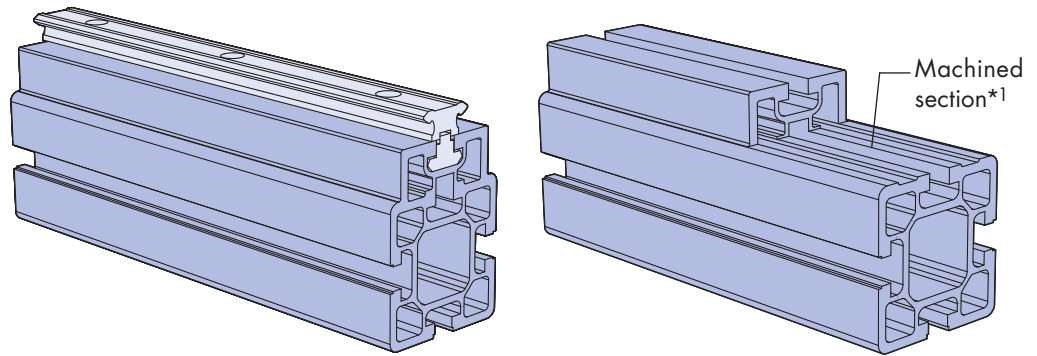
**Notes**

1. Dimension from last hole to the end of the slide can be changed to suit design, please specify when ordering.
2. Supplied complete with set screw to secure slide attachment profile in place.

# No 8 DTS Components

## Track Beam Support Extrusion/m

### DTSBEX



#### Notes:

1. Customers can machine ends as shown to expose secondary T slot for attaching top plate by means of slot block part no 1-242-1031.
2. Tolerance to suit top plate thickness. Mating top surfaces should be flush.

## Ordering details

To order any of the assemblies shown in this document, state the part number shown, followed by the quantity required. For more information or advice with a particular application, please contact Hepco's technical department.

### Ordering Example

Description	Part Number	Quantity
DTS25 Carriage Plate Sub Assembly	DTS25CPSA	x10
DTS25 Trip Latch Sub Assembly	DTS25TLSA	x10
DTS25 Drive Pulley Sub Assembly	DTS25DPSA	x1
DTS25 Idler Pulley Sub Assembly	DTS25IPSA	x1
DTS25 Top Plate Oval Sub Assembly	DTS25TPOSA	x1
DTS25 Bottom Plate Oval Sub Assembly	DTS25BPOSA	x1
DTS Drive Shaft 25mm Bearing Cartridge Sub Assembly	DTSDS25BCSA	x1
DTS Idler Shaft and Bearing Cartridge Assembly	DTSISBCSA	x1
Slot blocks*1 M5	1-242-1031	x10
M6	1-242-1013	
T-Nuts*1 M5	1-242-1030	x10
M6	1-242-1001	

1. Slot blocks are supplied with assemblies as shown in this document. For additional slot blocks or for T-nuts, please state quantity required at time of ordering.

HepcoMotion®, Lower Moor Business Park,  
Tiverton Way, Tiverton, Devon, England EX16 6TG

Tel: +44 (0) 1884 257000

Fax: +44 (0) 1884 243500

E-mail: [sales@hepcotion.com](mailto:sales@hepcotion.com)

Web: [www.HepcoMotion.com](http://www.HepcoMotion.com)



INVESTOR IN PEOPLE

