

Incorporating Hepco HPS Powerslides into Hepco MCS and other framework systems

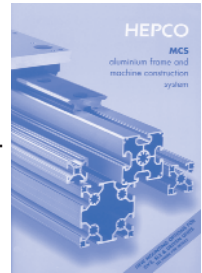
Hepco HPS Powerslide guided rodless pneumatic cylinders can be connected to Hepco MCS or other frame building systems using simple brackets.

This document provides information on the brackets which are available, and guidance on the recommended methods to attach Powerslides onto frames.

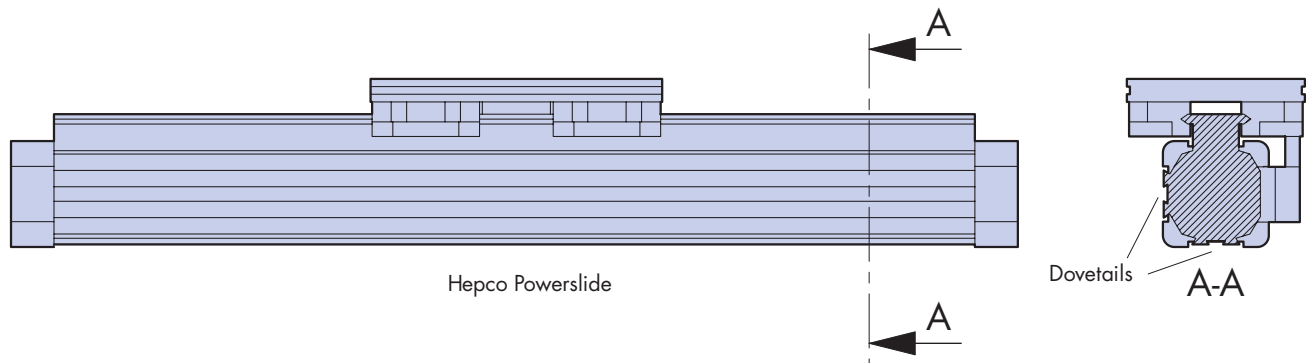
For detailed information on the relevant Hepco products, please consult the following catalogues:

HPS.... Powerslide guided rodless cylinder

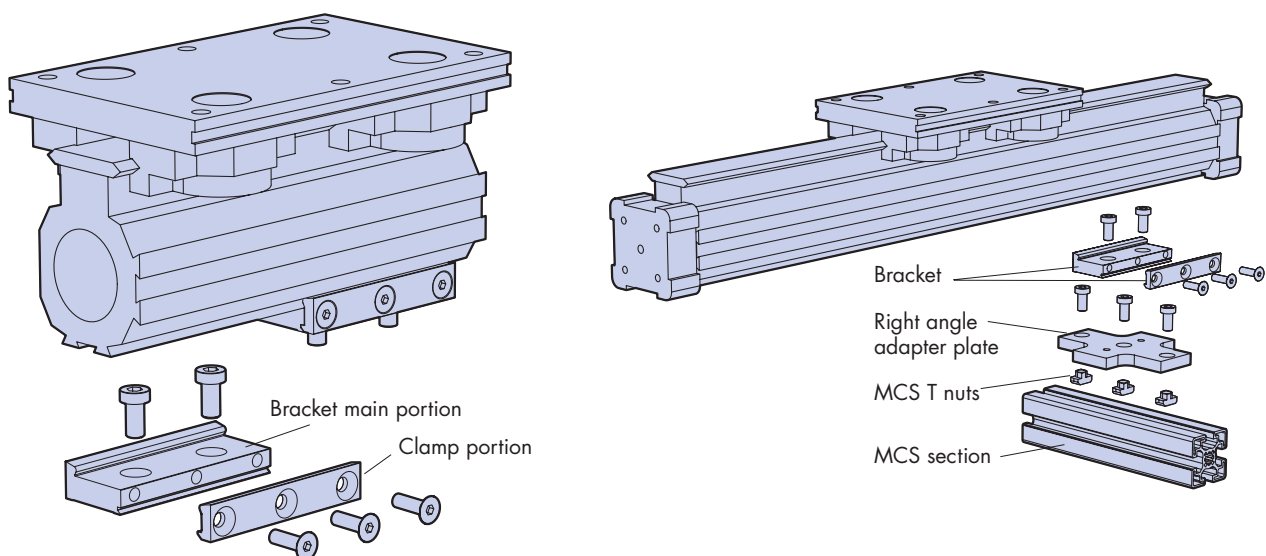
MCS.... MCS aluminium frame and machine construction system



All sizes of HPS Powerslide have a dovetail feature on the lower and front faces, see below. These dovetails provide the preferred means of attaching Powerslides onto frameworks.



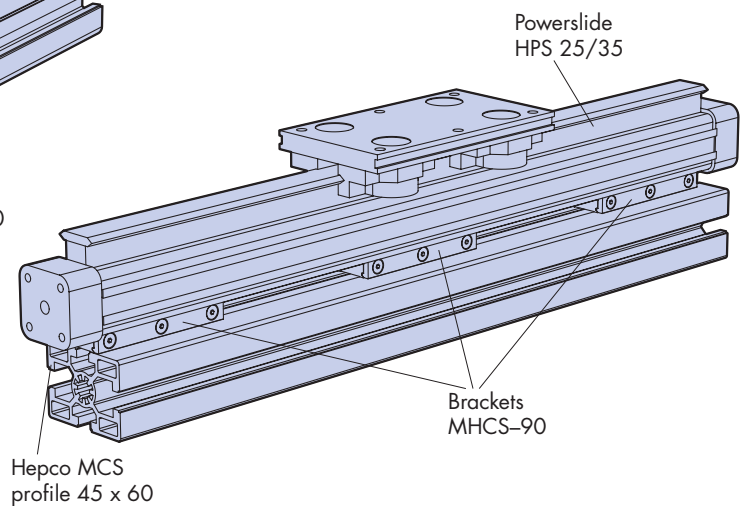
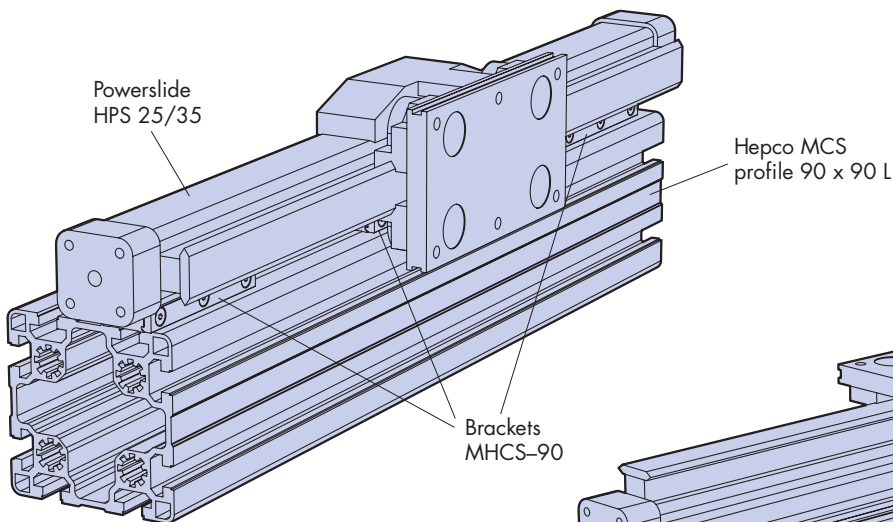
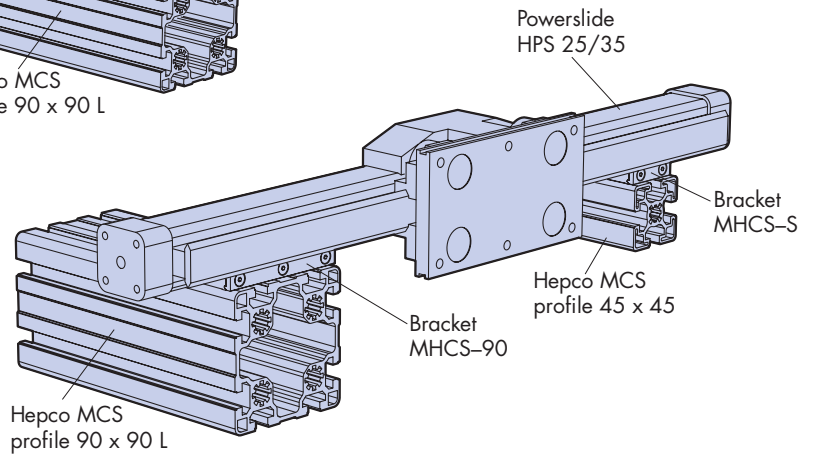
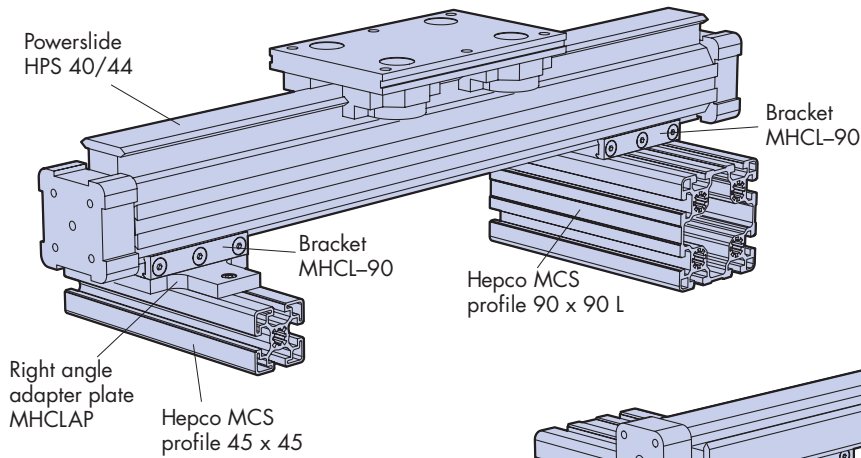
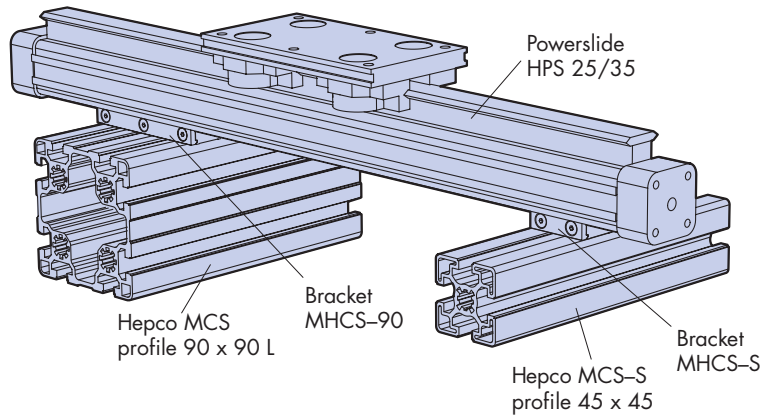
The brackets which are fixed to the cylinder barrel are made in two pieces. The main section should first be connected to the frame or other mounting surface. The Powerslide barrel dovetail should then be engaged with the corresponding feature on the bracket, and the clamping portion of the bracket screwed on to secure.



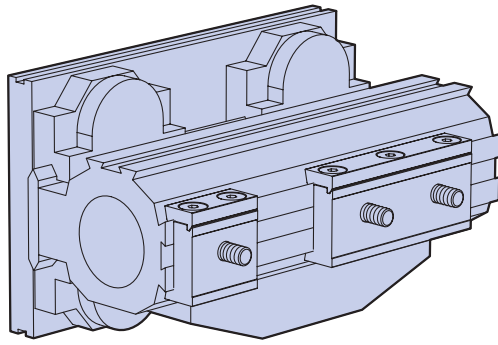
The fixing holes on the bracket are lined up along the length of the Powerslide. In some cases, the application calls for holes lined up across to the Powerslide. In these cases, a right angle adapter plate should be used (see above).

Joint Configurations

A Powerslide may be connected to both parallel and perpendicular frame members. The Powerslide may be attached by either its lower face or its front face (or both). If attaching using the front face, the user should check to see if the carriage and payload have adequate clearance with all frame members. In some cases an additional spacer may be needed to create clearance.



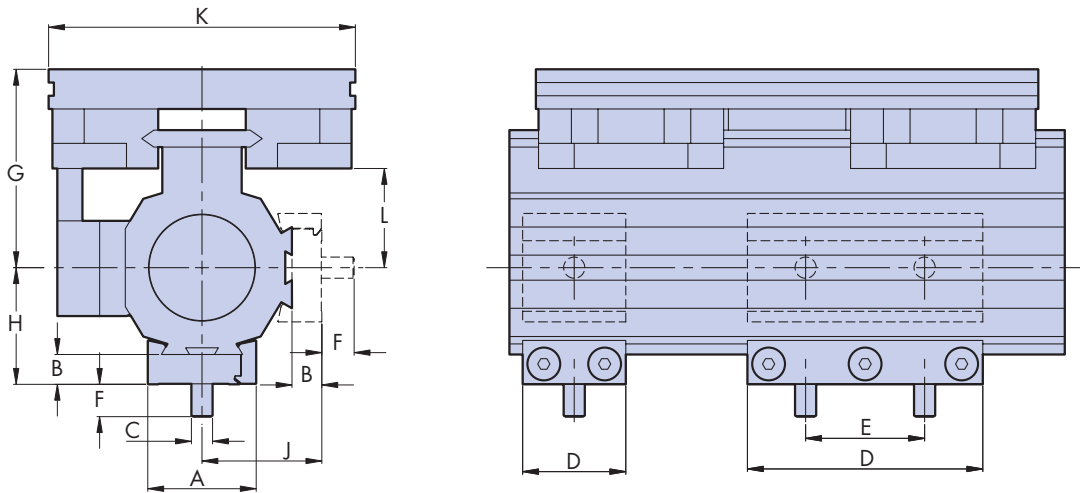
Bracket Dimensions



Clamp brackets are available in two section sizes which between them are compatible with all sizes of Powerslide (see table). Each section of clamp bracket may be had in short format with one fixing screw or in two longer formats, with two screws. The brackets are supplied with all fasteners.

The dimensions of all brackets, with details of compatibility and the envelope dimensions of Powerslides are included in the table below.

Hepco will make clamp brackets to your special length requirements, on request.

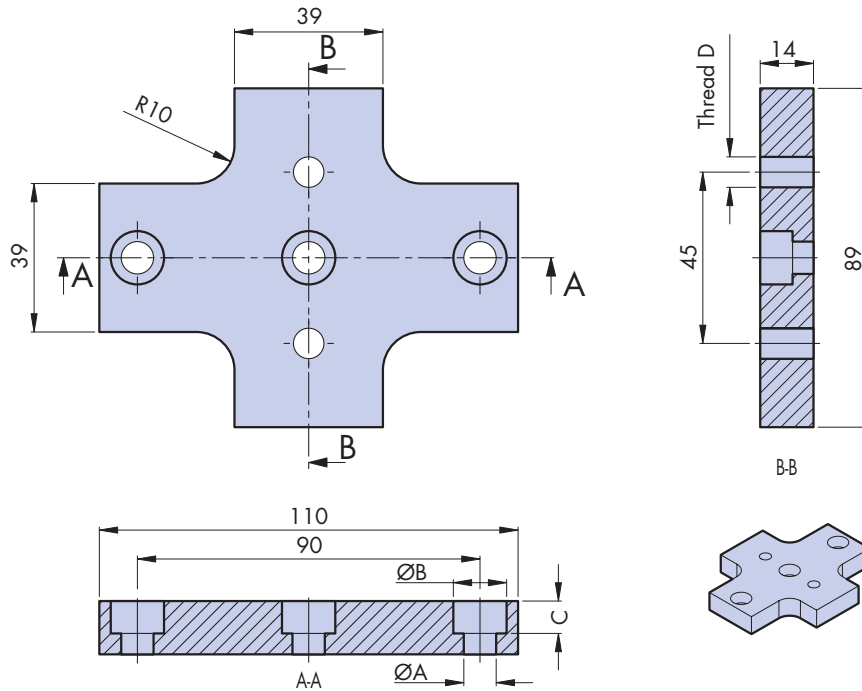


Bracket part number	Dimensions						Compatible with Powerslides HPS...
	A	B	C	D	E	F	
MHCS-S	26	8.6	1 x M6	39	-	12	16/25, 25/25, 25/35, 25/44, 32/44 & 32/60
MHCS-80	26	8.6	2 x M6	79	40	12	16/25, 25/25, 25/35, 25/44, 32/44 & 32/60
MHCS-90	26	8.6	2 x M6	89	45	12	16/25, 25/25, 25/35, 25/44, 32/44 & 32/60
MHCL-S	41	11.3	1 x M8	39	-	12.5	40/44, 40/60, 50/60 & 50/76
MHCL-80	41	11.3	2 x M8	79	40	12.5	40/44, 40/60, 50/60 & 50/76
MHCL-90	41	11.3	2 x M8	89	45	12.5	40/44, 40/60, 50/60 & 50/76

Powerslide part number	Dimensions				
	G	H	J	K	L
HPS 16/25	49	23.6	23.6	80	19
HPS 25/25	53	28.6	30.1	80	24
HPS 25/35	52.5	28.6	30.1	95	22
HPS 25/44	58	28.6	30.1	116	20
HPS 32/35	58.5	34.6	37.1	95	28
HPS 32/44	64	34.6	37.1	116	26
HPS 40/44	75	42.3	45.3	116	37
HPS 40/60	74	42.3	45.3	135	34
HPS 50/60	81	49.3	53.3	135	41
HPS 50/76	93	49.3	53.3	185	36

Bracket Dimensions

Right angle adapter plates are available in two types: One which is for use with smaller Powerslides, and another for use with bigger ones. They are similar, and differ only in the size of tapped and counterbored holes. For dimensions and compatibility, see below:



Right angle adapter plate	ØA	ØB	C	D	Compatible clamp bracket	Compatible with Powerslides HPS...
MHCSAP	6.5	11	6.5	M6	MHCS-90	16/25, 25/25, 25/35, 25/44, 32/44 & 32/60
MHCLAP	8.5	14	8.5	M8	MHCL-90	40/44, 40/60, 50/60 & 50/76

Alternative Designs

The application drawings in this document show Hepco HPS Powerslides attached to Hepco MCS frame profiles. The same brackets are equally suitable for attaching Powerslides to any manufacturer's frames. In all cases, ensure that the T nuts with the required thread size are selected.

In the Hepco HPS Powerslide catalogue (pages 6-7), there are further designs of fixing bracket shown, including ones which attach onto the end of the cylinder. These provide a useful means to hold Powerslide units, but the brackets within this document will be preferred in many cases as they provide stronger and stiffer location.



Hepco Slide Systems Ltd
 Lower Moor Business Park, Tiverton Way
 Tiverton, Devon, England EX16 6TG

Sales Dept
Tel: 01884 257000 Fax: 01884 243500
E-mail: hepco.sales@hepco.co.uk
Website: www.hepcomotion.com

CATALOGUE No. HPS/MCS SUP01 UK © 2003 Hepco Slide Systems Ltd.

Reproduction in whole or part without prior authorisation from Hepco is prohibited. Although every effort has been made to ensure the accuracy of the information in this catalogue, Hepco cannot accept liability for any omissions or errors. Hepco reserves the right to make alterations to the product resulting from technical developments.

Many Hepco products are protected by: Patents, Copyright, Design Right or Registered Design. Infringement is strictly prohibited and may be challenged in law.

The Customer's attention is drawn to the following clause in Hepco's conditions of sale:

'It shall be the Customer's sole responsibility to ensure that goods supplied by Hepco will be suitable or fit for any particular application or purpose of the Customer, whether or not such application or purpose is known to Hepco. The Customer will be solely responsible for any errors in, or omissions from, any specifications or information the Customer provides. Hepco will not be obliged to verify whether any such specifications or information are correct or sufficient for any application or purpose.'

Hepco's full conditions of sale are available on request and will apply to all quotations and contracts for the supply of items detailed in this catalogue.