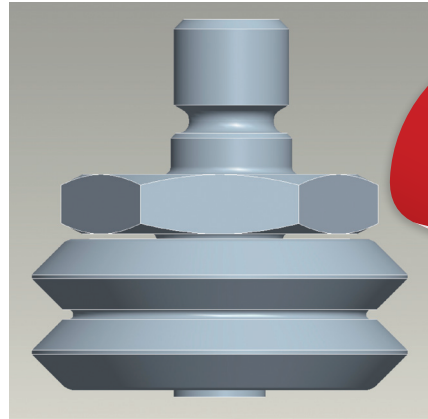


DUAL VEE Motion Technology™

Swaged Integral Studded Wheels

- Sizes 0 - 4
- Concentric and eccentric styles
- Low profile design

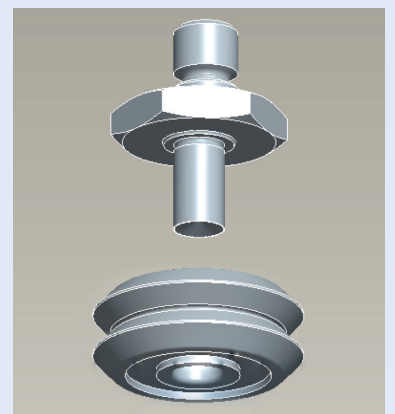


HepcoMotion® introduces the Bishop-Wisecarver Swaged Integral Studded Wheel to extend the range of Integral Studded Wheels by increasing its ability to withstand many challenging environments.

Swaged Integral Studded Wheels are available in the following versions:

- Stainless Steel for corrosive environments
- Low temperature (-94°F to +230°F / -70°C to +110°C)
- High temperature (-22°F to +500°F / -30°C to +260°C)
- Custom greases
- Washdown wheels for food and beverage applications

Like Integral Studded Wheels, the swaged versions have the same low profile design and large threads, which provide greater rigidity and increased mounting torque capability. The Swaged Integral Studded Wheels are an excellent choice for new challenging environments, but are also interchangeable with the standard single piece Integral Studded Wheels for existing applications.



HepcoMotion®

Head Office: Lower Moor Business Park, Tiverton Way, Tiverton, Devon, England EX16 6TG
Tel: +44 (0)1884 257000 Fax: +44 (0)1884 243500 E-mail: sales@hepcotion.com

www.HepcoMotion.com

Model Code Examples:

SWSC1SS227A (Studded DualVee Wheel Integral, Concentric Size 1, Stainless Steel, Shield, High Heat and Clean Room)

SWSE3SSXA (Studded DualVee Wheel Integral, Eccentric Size 3, Stainless Steel, Seal)

SWSCWD3SSXA (Studded DualVee Wheel Integral, Concentric Size 3, Stainless Steel, Seal/Shield, Washdown)

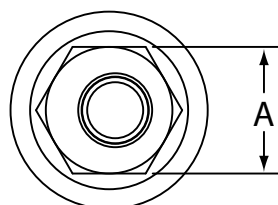
Studded Wheel	Wheel Offset	Wheel Size	Materials Code	Swaged Assembly	Materials				
					Outer Race	Inner Race	Ball	Retainer	Shield or Seal
SWS	C=Concentric E=Eccentric	0 = 14.83mm	Blank (Std.)=	A	52100	52100	52100	Nylon 66	Shield
		1 = 19.58mm	X=	A	52100	52100	52100		Seal
		2 = 30.73mm	SSX=	A	440C	440C	440C	304 Stainless Steel	Seal
		3 = 45.80mm	SS227 ⁶ =						Shield
		4 = 59.94mm	SS300 ⁷ =						Shield
	WDWSSX ⁸ =					Nylon 66	Shield/Seal		

dimensions in mm

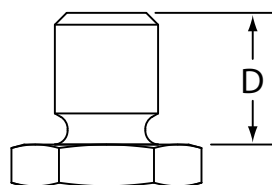
Integrated Studded Steel Wheels

Size	A (inches)	B ¹	C ²	D ^{3,5}	E	F ⁴	G	Concentric Stud Thread	Eccentric Stud Thread	H
0	3/8"	5.56	2.16	7.62	17.25	6.15	0.45	M6 x 1.0	M5 x 0.8	14.83
1	7/16"	6.35	2.16	8.10	19.71	7.30	0.60	M8 x 1.25	M6 x 1.0	19.58
2	9/16"	9.53	2.79	11.38	26.95	9.63	0.76	M10 x 1.5	M8 x 1.25	30.73
3	3/4"	10.72	4.32	15.11	37.08	13.63	1.49	M12 x 1.75	M10 x 1.5	45.80
4	7/8"	12.70	4.50	19.00	45.26	16.36	2.00	M14 x 2.0	M12 x 1.75	59.94

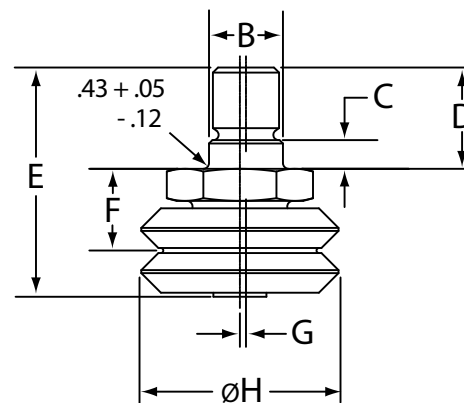
values are in mm



Concentric Stud



Eccentric Stud



1. Diameter tolerance is +0.05/-0.00
2. Height tolerance is +/-0.13
3. Height tolerance is +/-0.1
4. Height tolerance is +/-0.05
5. Custom stud lengths available
6. Clean room and high temperature compatible - lubricated with Krytox GPL 227
7. Low temperature - lubricated with Kluber Isoflex PDL 300A
8. Washdown - lubricated with Klubersynth 14-151



HepcoMotion® are the exclusive European partners and distributors for Bishop-Wisecarver since 1984.

To find out more call us for a catalogue on +44 (0)1884 257000 or download it from our website www.HepcoMotion.com.

HepcoMotion®

Head Office: Lower Moor Business Park, Tiverton Way, Tiverton, Devon, England EX16 6TG
Tel: +44 (0)1884 257000 Fax: +44 (0)1884 243500 E-mail: sales@hepcotion.com

www.HepcoMotion.com