



This data sheet interacts with
SBD catalogue
 3&6

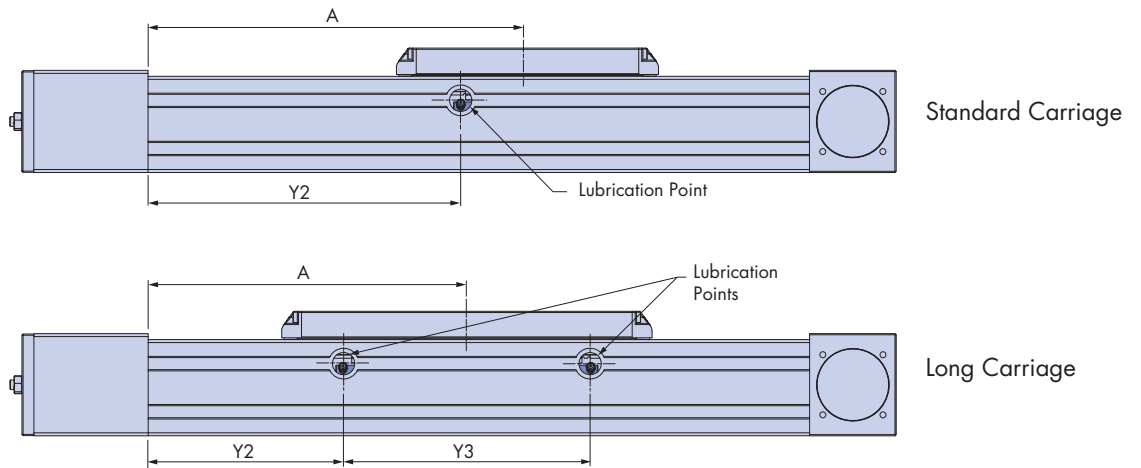
No. 8 SBD Lubrication Procedure

The HepcoMotion SBD is an exceptionally rugged, quiet and precise linear unit and uses super-smooth Hepco LBG caged linear ball guides. To maintain the system life it is important that the LBG caged linear ball guide remains well lubricated. To ensure that this is the case, the LBG block should be greased via the lubrication point, located on the side of the unit, as shown in the diagram below.

The SBD unit supplied will have been fully lubricated with sufficient grease for a maximum of 500km linear travel*¹, the following document details the procedure for re-lubricating the LBG block/blocks contained within the unit.

Stage 1

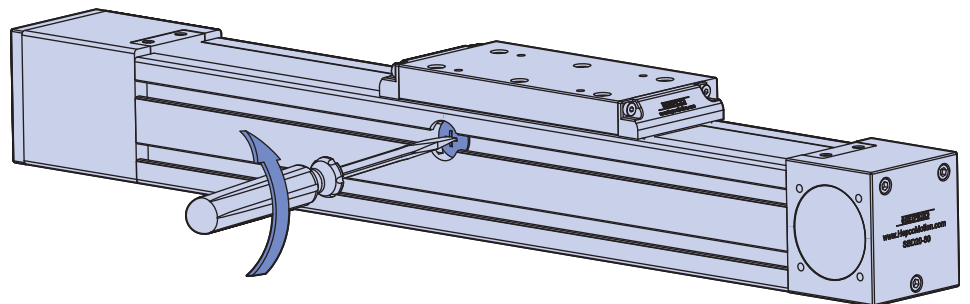
The carriage must first be positioned correctly so the grease nipple is aligned with the lubrication hole. The positions for both standard and long carriage arrangements are shown below.



	A	Y2	Y3
SBD 20-80	315.5	260	-
SBD 20-80 B2	265.5	162.5	205
SBD 30-100	339	260	-
SBD 30-100 B2	292	164	252.5

Stage 2

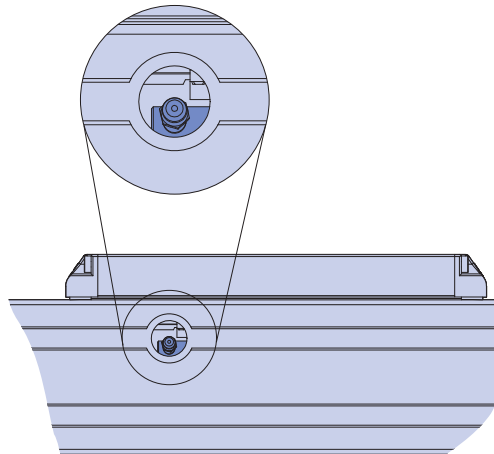
Remove the protective plug using an appropriate screwdriver.



SBD Lubrication Procedure

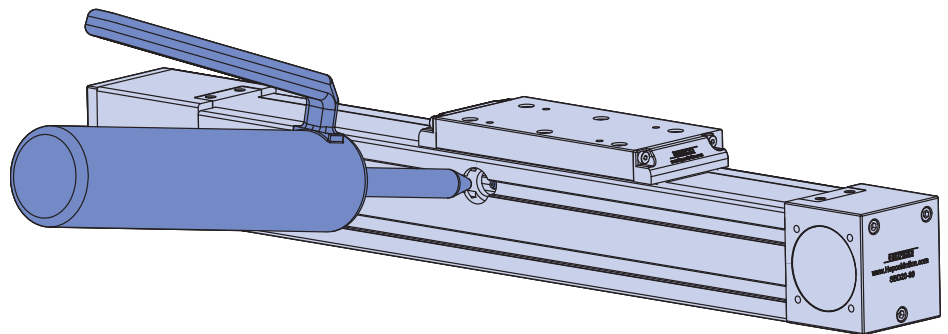
Stage 3

Once the protective plug is removed the grease nipple should be fully visible and lined up with the hole.



Stage 4

Using a grease gun with an appropriate attachment to fit over the grease nipple, ensure the gun is secured to prevent grease escaping. Pump the recommended amount of grease into the LBG block*² as stated in the table below for initial lubrication. Remove the grease gun and run the carriage up and down the full length of the unit twice. Reattach the grease gun and pump the recommended amount of grease for secondary lubrication into the block. Remove the gun and refit the protective plug.



SBD Unit	Maximum Re-lubrication Interval* ¹	Grease (cm ³)	
		Initial Lubrication* ²	Secondary Lubrication* ³
SBD 20-80	500km	2.5	1
SBD 30-100	500km	3.5	2

Notes

1. Re-lubrication intervals will depend on the application and will be affected by speed, load and duty. Please contact Hepco for application advice.
2. Initial and secondary lubrication must be applied to both lubrication points for long carriage version units.
3. Following initial lubrication, the carriage should be moved along the entire length of the unit, for two full strokes, this will distribute grease throughout the block prior to secondary lubrication.
4. Lubricate with grease NLGI consistency No.2. For example Castrol LMX or Shell Alvania R.A.
5. Standard grease guns will dispense between 1-1.5cm³ of grease for every full operation, however this can vary greatly between models. It is recommended that customers verify the amount of grease dispensed for the model used.

HepcoMotion®, Lower Moor Business Park,
Tiverton Way, Tiverton, Devon, England EX16 6TG

Tel: +44 (0) 1884 257000

Fax: +44 (0) 1884 243500

E-mail: sales@hepcotion.com