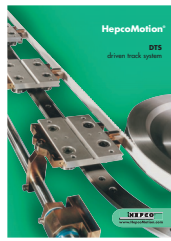




This data sheet interacts with
PRT2 Catalogue
50-51

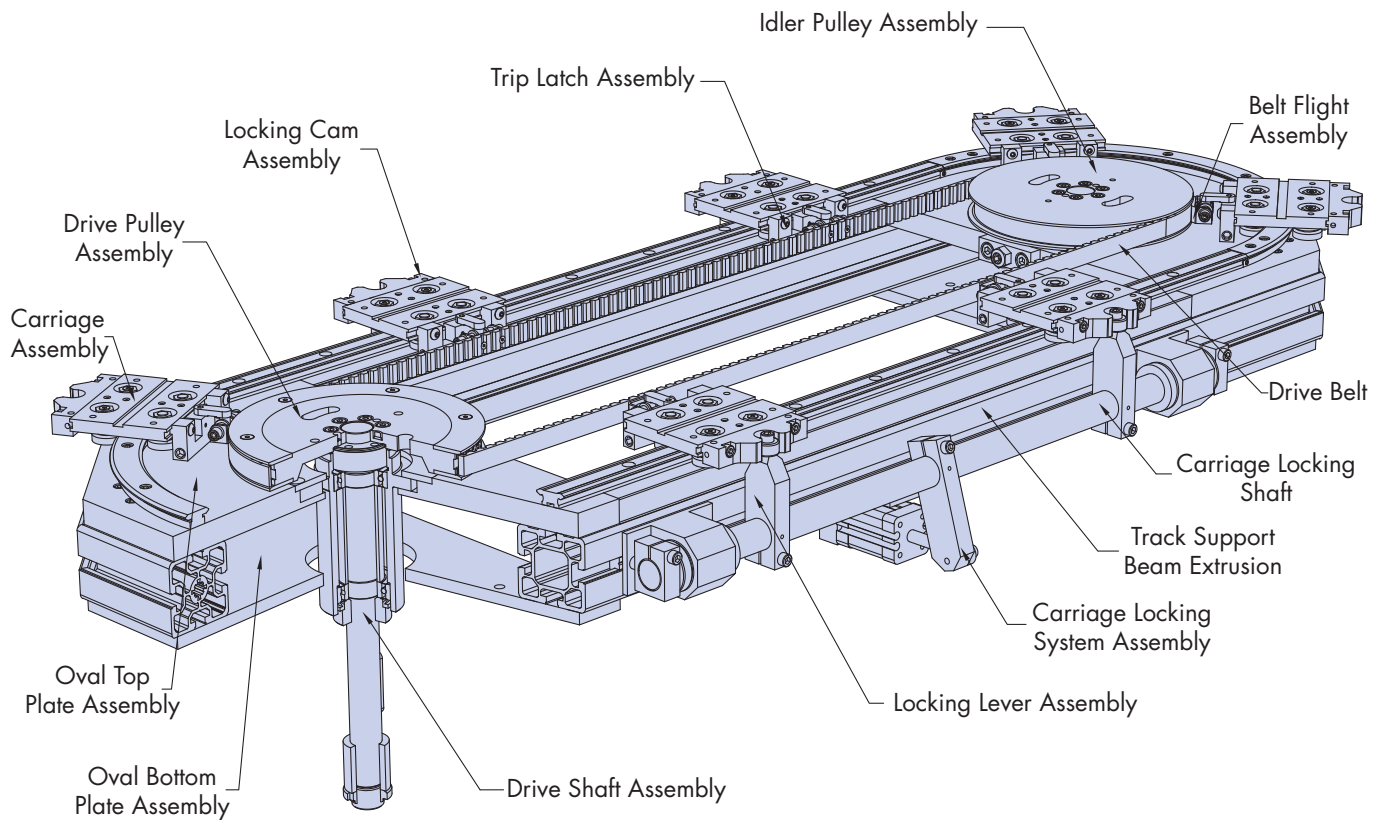


This data sheet interacts with
DTS Catalogue

HepcoMotion®

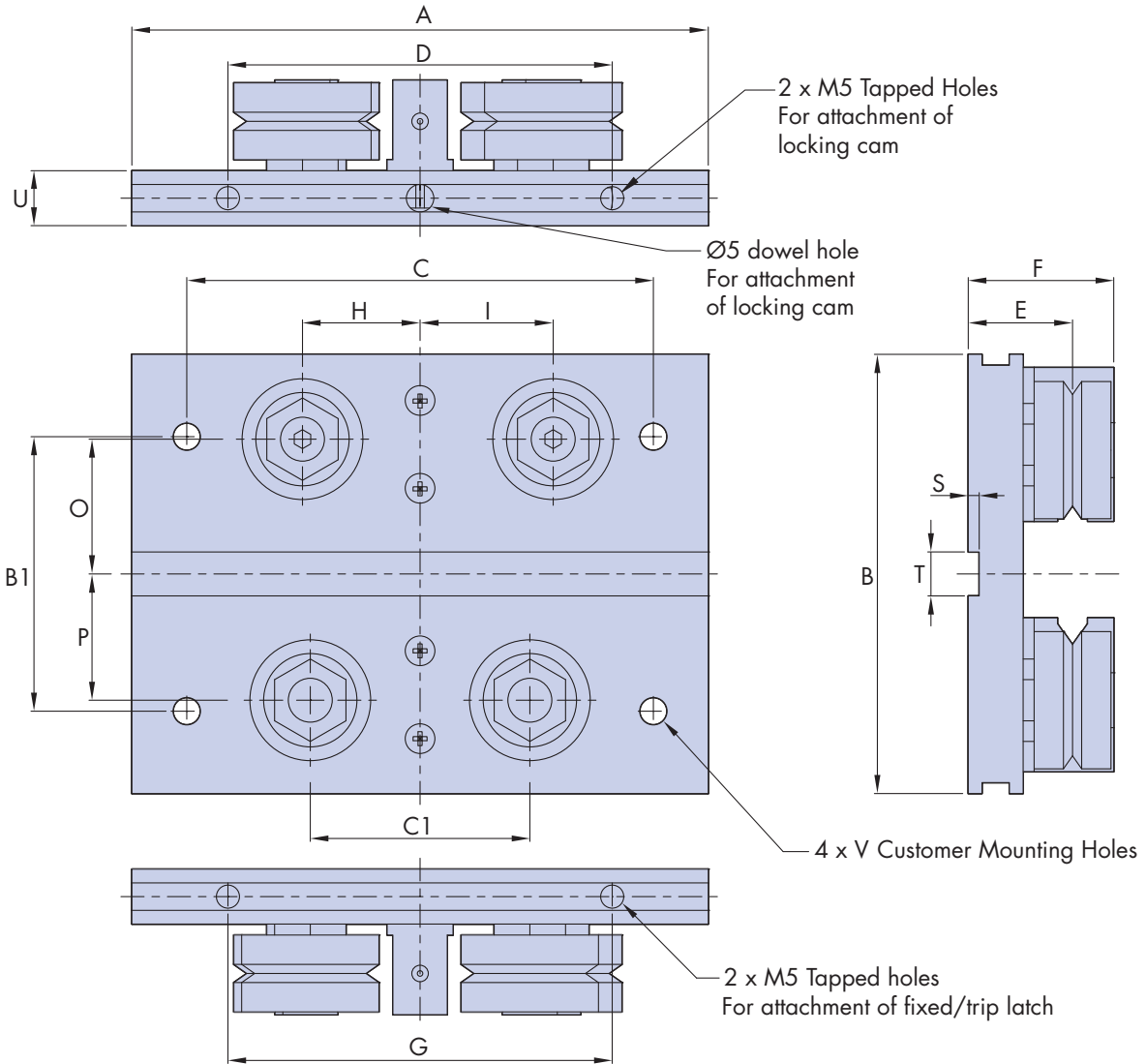
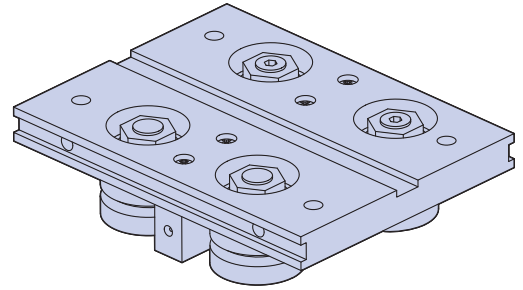
No. 8 DTS Components


HepcoMotion® supply a comprehensive range of components and assemblies to enable the 25-351 and 44-612 size track systems to be incorporated into customers own designs complete with drive facility. Many of the components shown in this datasheet can also be used for other sizes of track system. The components are well proven having been used for many years in the HepcoMotion DTS, a complete and ready to use driven track system highly recommended for customers able to use this fully assembled standard product. This datasheet contains details and dimensions for the individual assemblies available. For more information or advice to suit a particular application, please contact Hepco's technical department.



No. 8 DTS Components

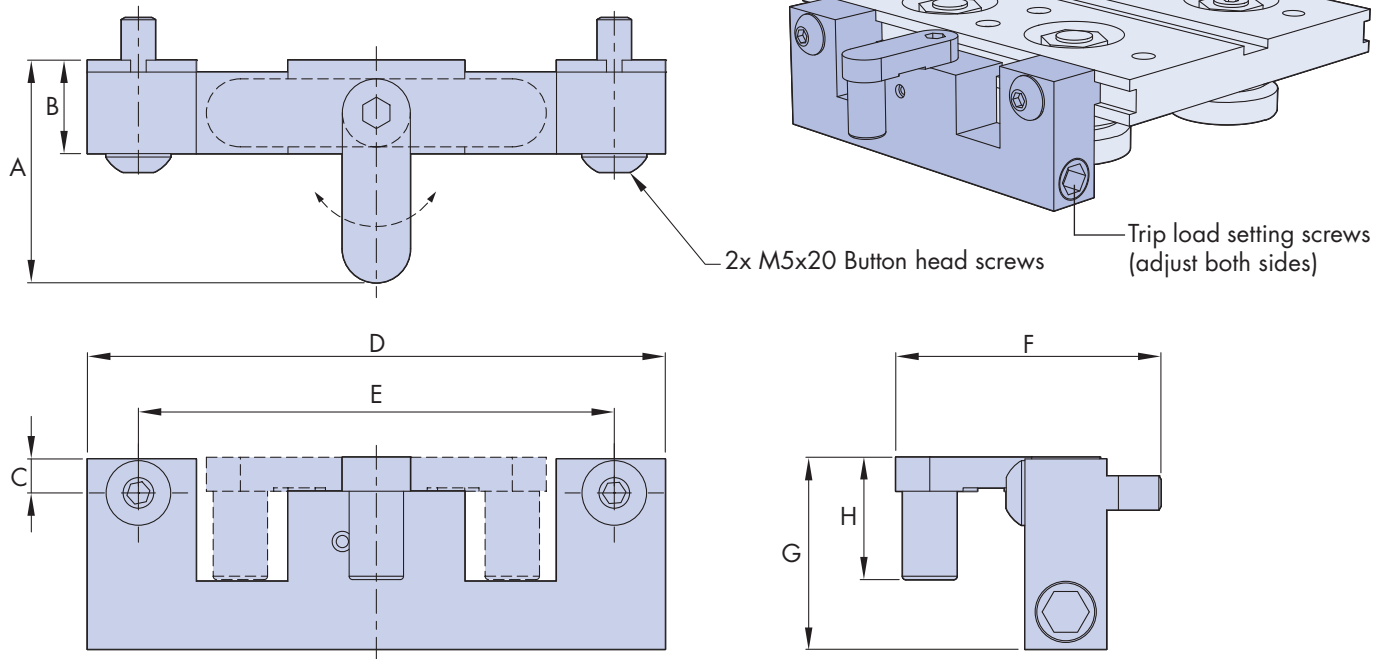
Carriage Assembly




| Part Number | A | B | B1 | C | C1 | D | E | F | G | H | I | O | P | S | T | U | V |  kg ~ |
|-------------|-----|-----|----|-----|----|-----|------|------|----|-------|-------|-------|-------|---|----|----|---------|--|
| DTS25CPSA | 105 | 80 | 50 | 85 | 40 | 70 | 19 | 26.5 | 70 | 21.42 | 24.25 | 24.55 | 23 | 2 | 8 | 10 | M6x1 | 0.42 |
| DTS44CPSA | 150 | 115 | 75 | 125 | 70 | 102 | 25.5 | 35.2 | 70 | 37.63 | 41.17 | 37.93 | 35.75 | 3 | 10 | 14 | M8x1.25 | 1 |

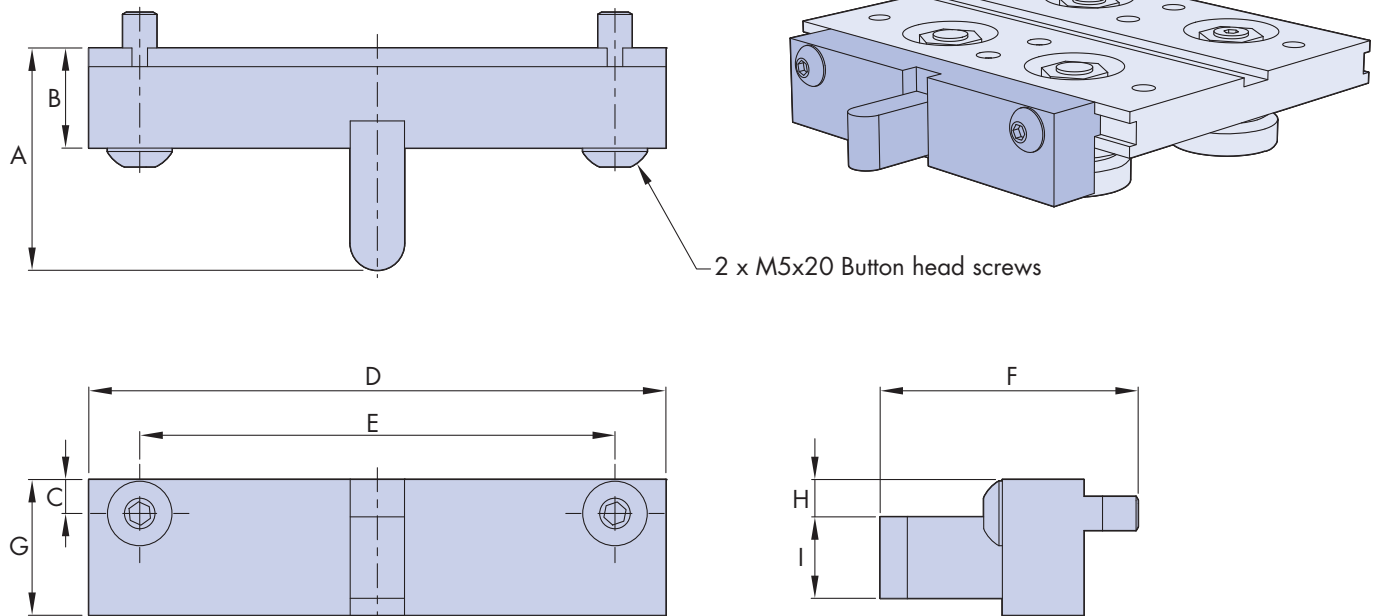
No. 8 DTS Components


Trip Latch Assembly



| Part Number | A | B | C | D | E | F | G | H |  kg~ |
|------------------|-------|-------|---|----|----|----|-------|----|--|
| DTS25TLSA | 32.75 | 13.75 | 5 | 85 | 70 | 39 | 28.25 | 18 | 0.19 |
| DTS44TLSA | 33.75 | 14.75 | 5 | 85 | 70 | 39 | 28.25 | 18 | 0.19 |

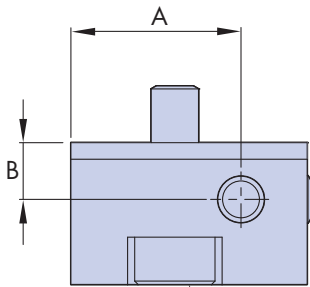
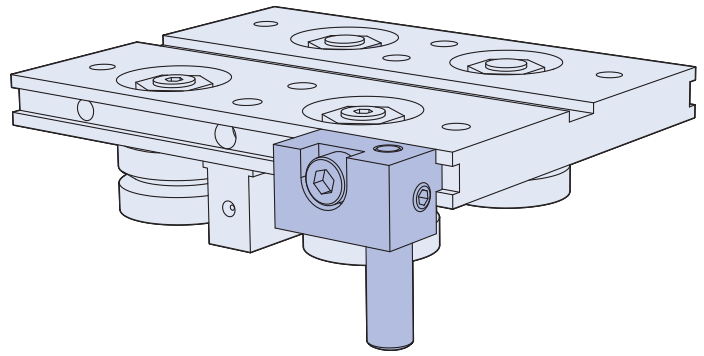
Fixed Latch Assembly



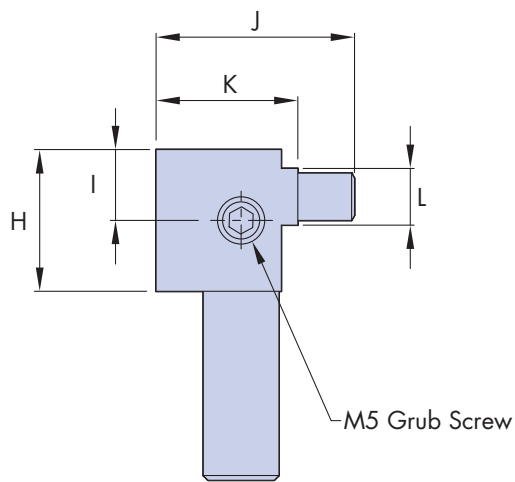
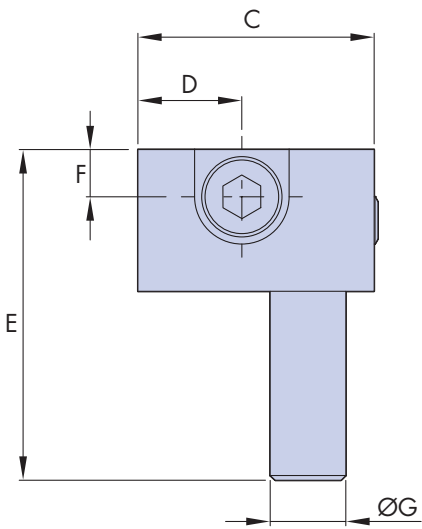
| Part Number | A | B | C | D | E | F | G | H | I |  kg~ |
|------------------|-------|-------|---|----|----|----|----|-----|----|---|
| DTS25FLSA | 31.75 | 13.75 | 5 | 85 | 70 | 38 | 20 | 5.5 | 12 | 0.18 |
| DTS44FLSA | 32.75 | 14.75 | 5 | 85 | 70 | 38 | 20 | 5.5 | 12 | 0.18 |

No 8 DTS Components


Sensor Block Assembly



M5x16 Cap head screw

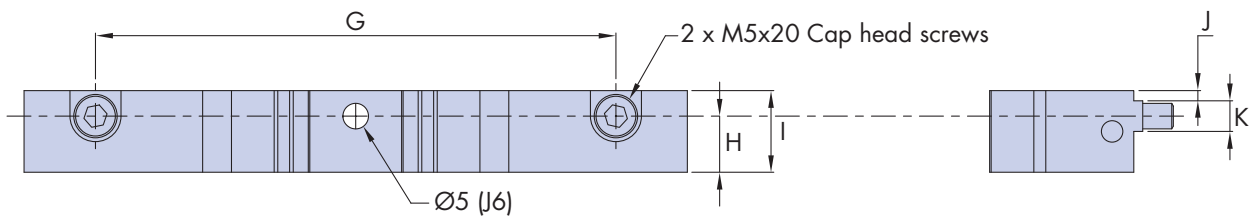
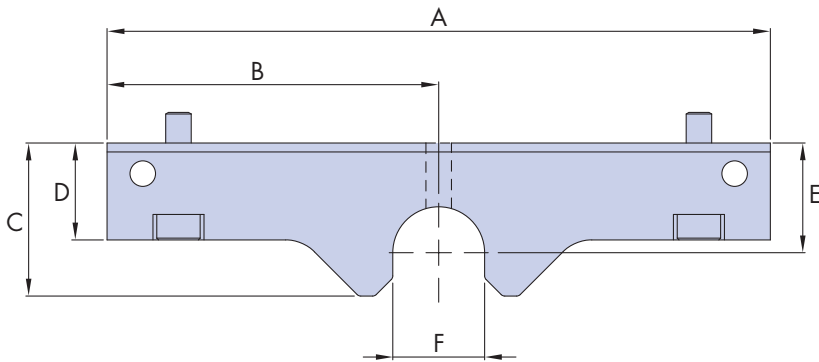
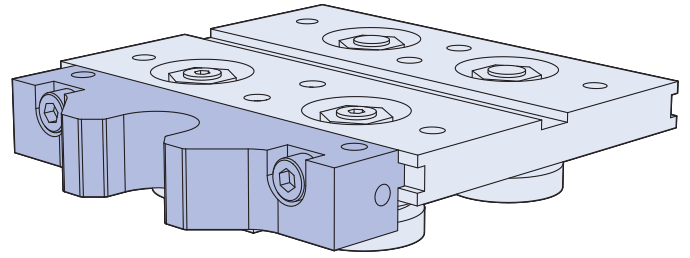



M5 Grub Screw

| Part Number | A | B | C | D | E | F | ØG | H | I | J | K | L |  kg~ |
|-------------|----|---|----|------|----|---|----|----|-----|----|----|---|--|
| DTS25SBSA | 18 | 6 | 25 | 12.5 | 35 | 5 | 8 | 15 | 7.5 | 21 | 15 | 5 | 0.05 |
| DTS44SBSA | 18 | 6 | 25 | 11 | 35 | 5 | 8 | 15 | 7.5 | 21 | 15 | 6 | 0.05 |

No 8 DTS Components

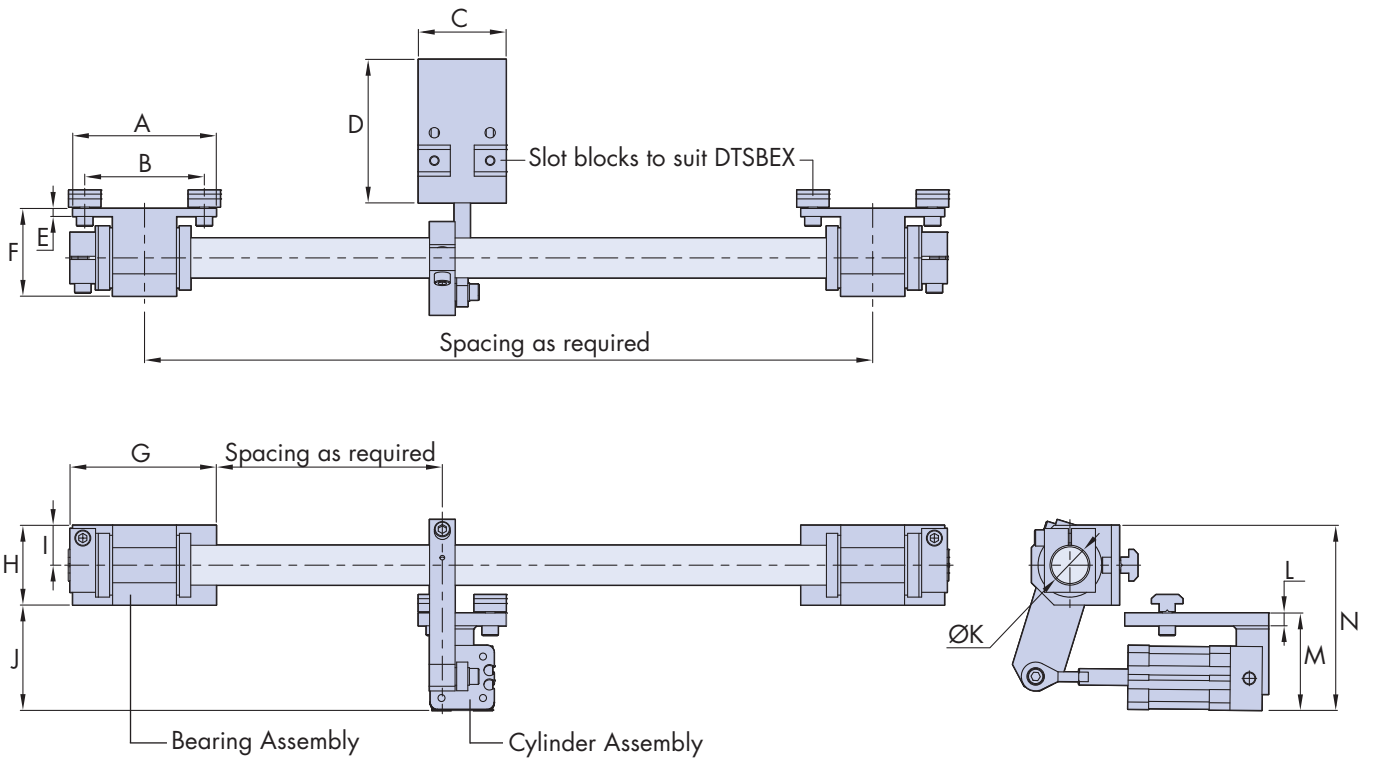
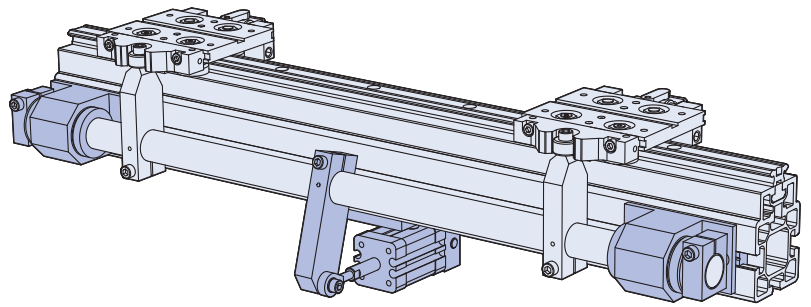
Locking Cam Assembly



| Part Number | A | B | C | D | E | F (H8) | G | H | I | J | K |  kg~ |
|------------------|-----|------|----|----|------|-----------|-----|----|----|-----|---|--|
| DTS25LCSA | 95 | 47.5 | 30 | 19 | 21.5 | 18 | 70 | 11 | 16 | 2.5 | 5 | 0.23 |
| DTS44LCSA | 130 | 65 | 30 | 19 | 21.5 | 18 | 102 | 11 | 16 | 2 | 6 | 0.30 |

No 8 DTS Components

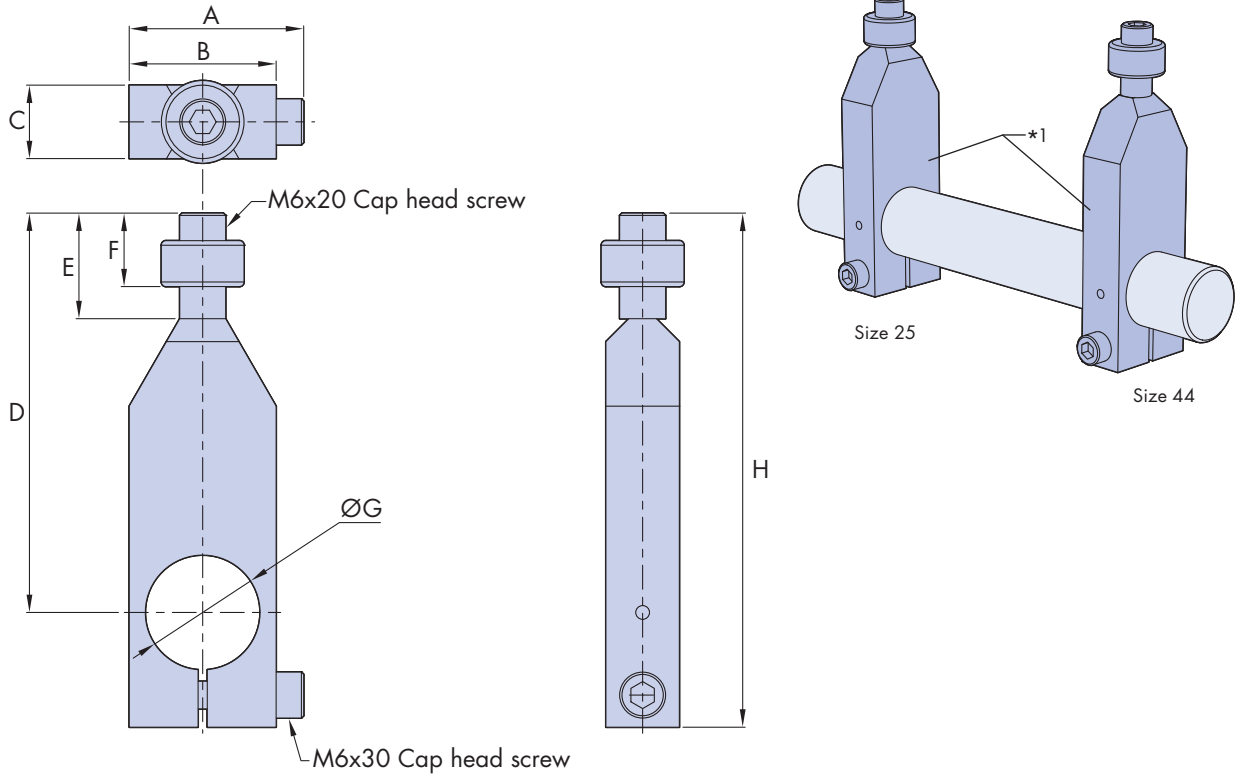
Basic Carriage Locking Assembly




| Part Number | A | B | C | D | E | F | G | H | I | J | ØK (H8) | L | M | N | kg~ | |
|-------------|----|----|----|----|------|------|------|----|----|----|------------|---|----|-----|------------------|-------------------|
| | | | | | | | | | | | | | | | Bearing Assembly | Cylinder Assembly |
| DTS25CLS | 90 | 75 | 55 | 90 | 5 | 55 | 91.7 | 50 | 25 | 67 | 25 | 8 | 62 | 117 | 0.77 | 1.21 |
| DTS44CLS | 90 | 75 | 55 | 90 | 22.5 | 72.5 | 91.7 | 50 | 25 | 67 | 25 | 8 | 62 | 117 | 1.38 | 1.21 |

No 8 DTS Components

Locking Lever Assembly



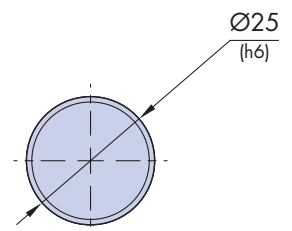
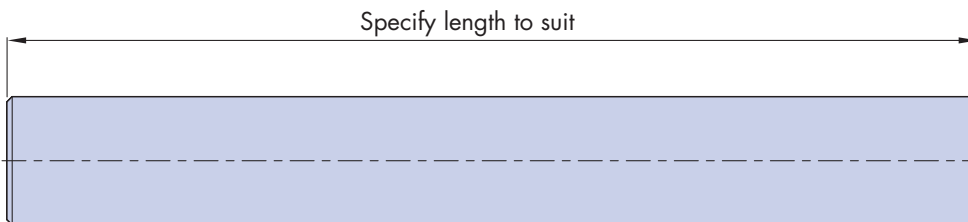
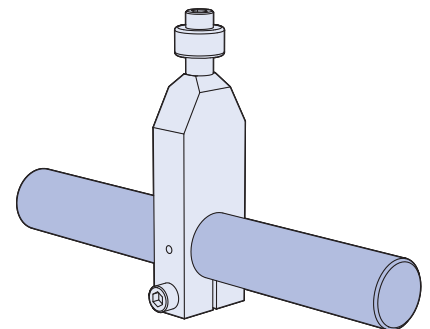
| Part Number | A | B | C | D | E | F | ØG (H8) | H |  kg~ |
|------------------|----|----|----|----|----|----|------------|-----|--|
| DTS25LLSA | 38 | 32 | 16 | 80 | - | 16 | 25 | 105 | 0.28 |
| DTS44LLSA | 38 | 32 | 16 | 87 | 23 | 16 | 25 | 112 | 0.29 |


Note:

- Up to 8 locking levers on one shaft can be operated by a single cylinder depending on carriage spacing, please contact Hepco's technical department.

Carriage Locking Shaft

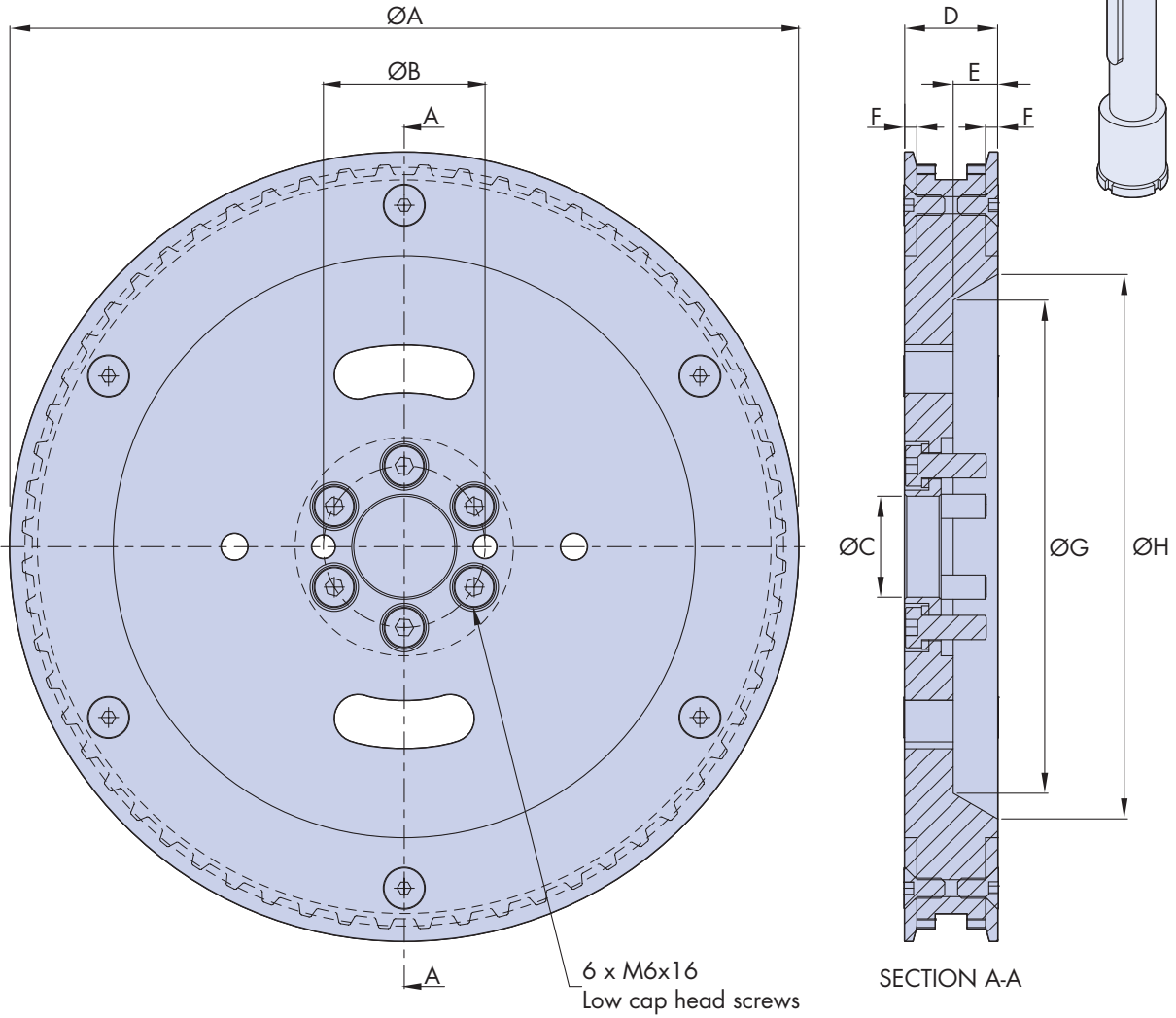
NIM25SS316



| |
|--|
|  kg/m~ |
| 3.8 |

No. 8 DTS Components

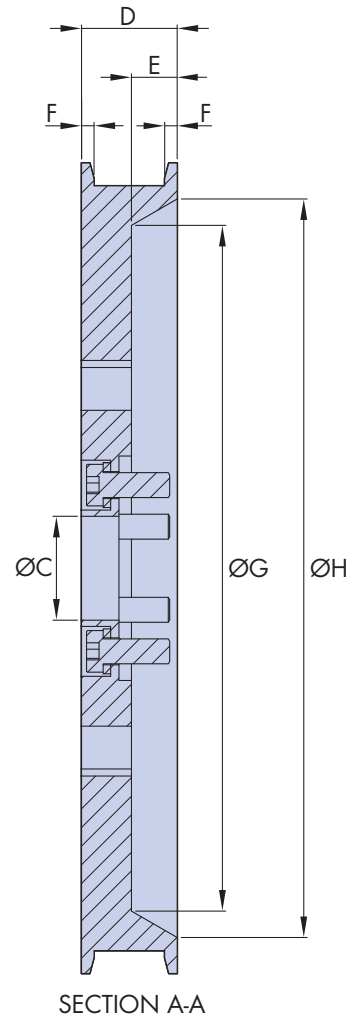
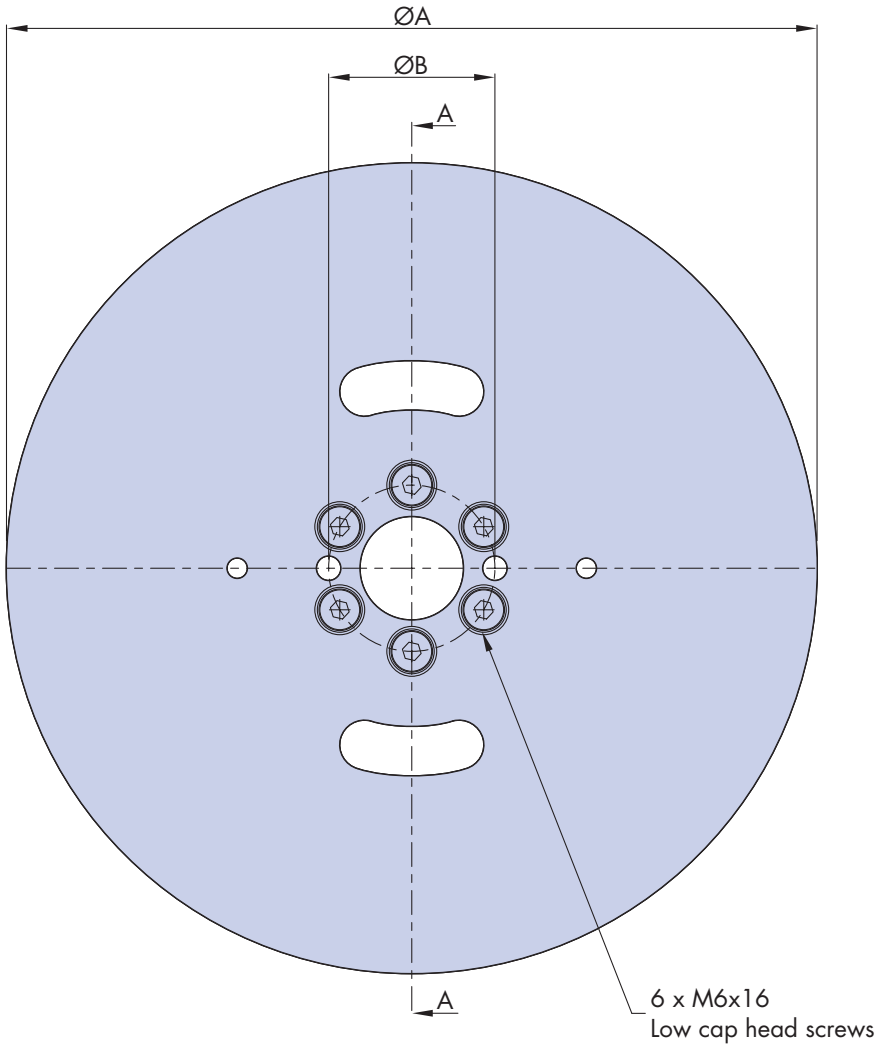
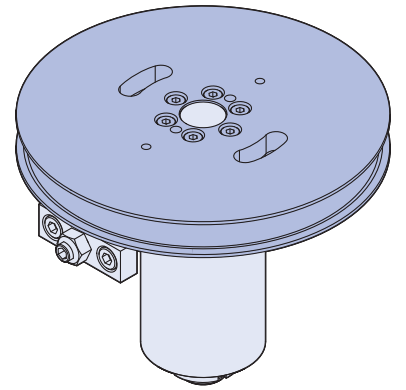
Drive Pulley Assembly




| Part Number | ØA | ØB (PCD) | ØC (H8) | D | E | F | ØG | ØH | No of Teeth | Teeth profile to suit |  kg~ |
|------------------|-------|-------------|------------|----|----|---|-----|-----|----------------|--------------------------|--|
| DTS25DPSA | 195.2 | 40 | 25 | 23 | 11 | 3 | 122 | 135 | 60 | 16AT10-EL | 1.3 |
| DTS44DPSA | 424.3 | 40 | 25 | 32 | 20 | 3 | 327 | 350 | 132 | 25AT10-EL | 7.1 |

No. 8 DTS Components

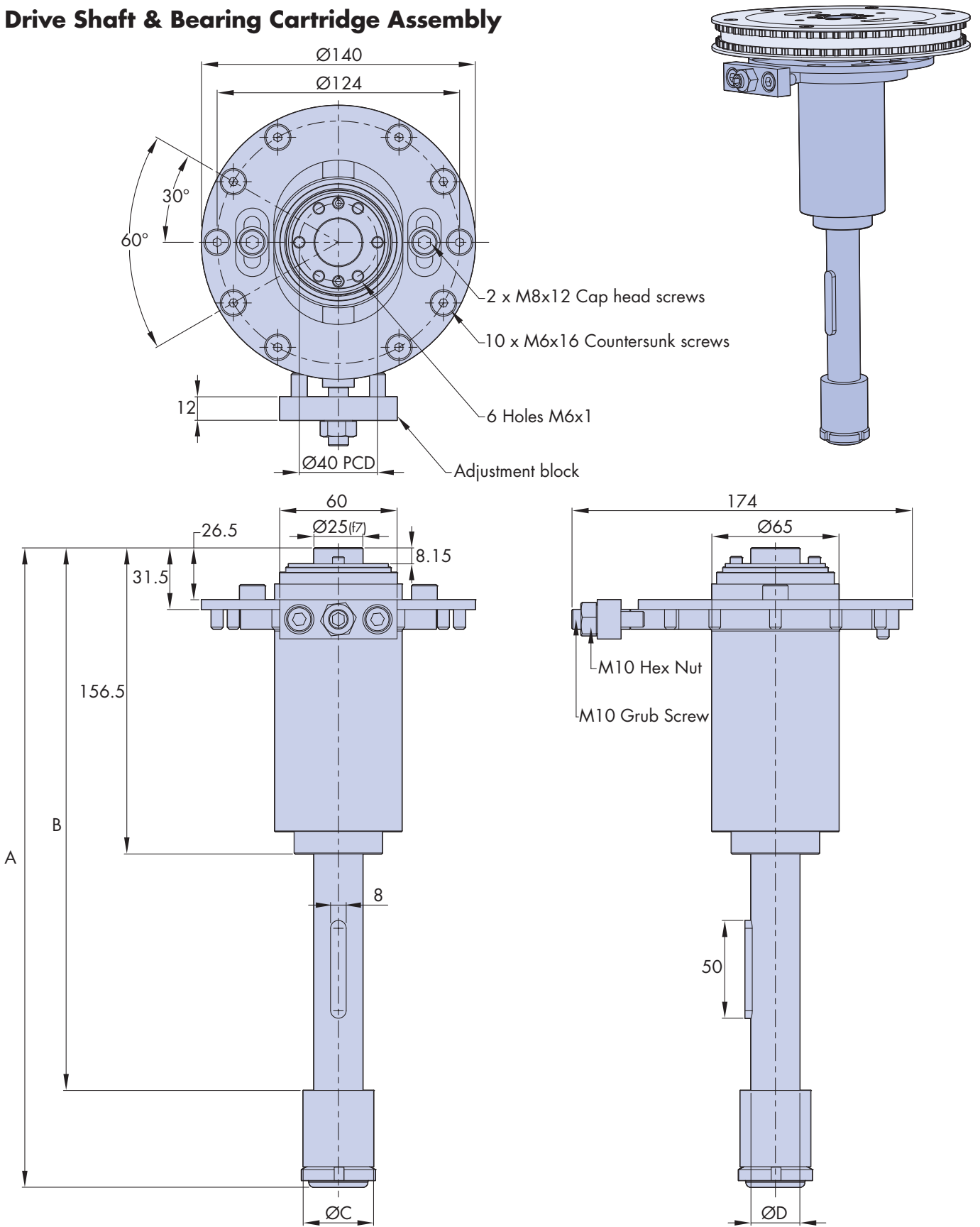
Idler Pulley Assembly



| Part Number | ØA | ØB (PCD) | ØC (H8) | D | E | F | ØG | ØH |  kg~ |
|------------------|-------|-------------|------------|----|----|---|-----|-----|--|
| DTS25IPSA | 195 | 40 | 25 | 23 | 11 | 3 | 165 | 178 | 0.98 |
| DTS44IPSA | 424.3 | 40 | 25 | 32 | 20 | 3 | 327 | 350 | 7.0 |

No. 8 DTS Components

Drive Shaft & Bearing Cartridge Assembly

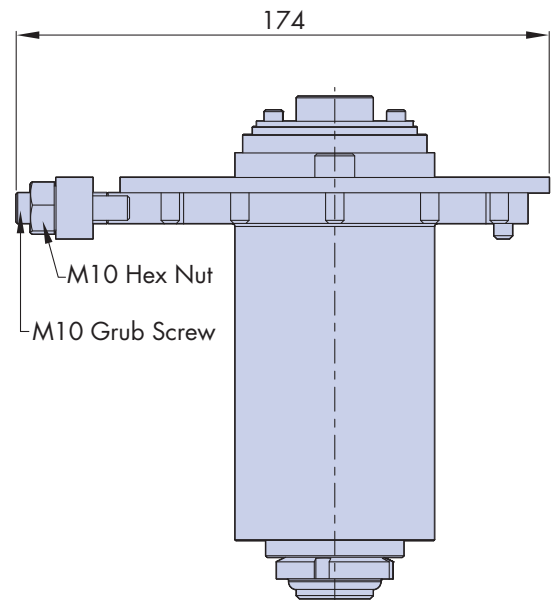
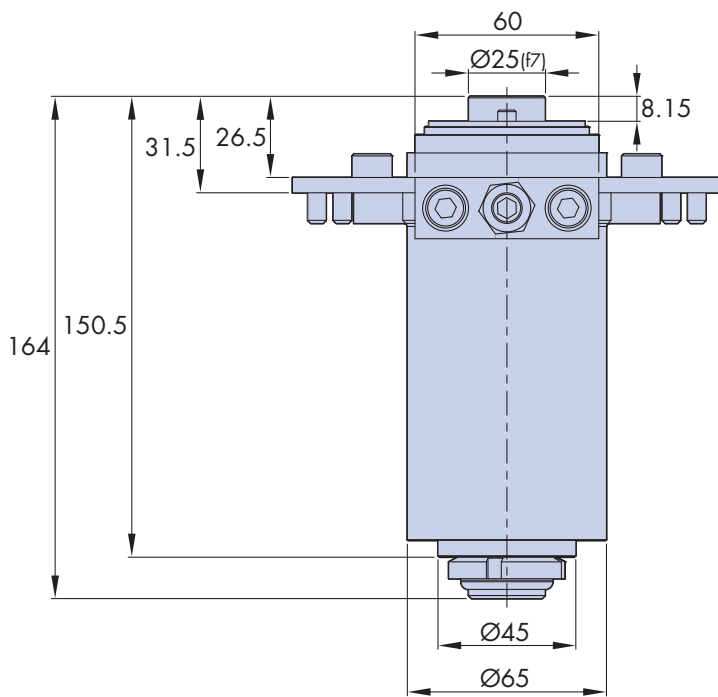
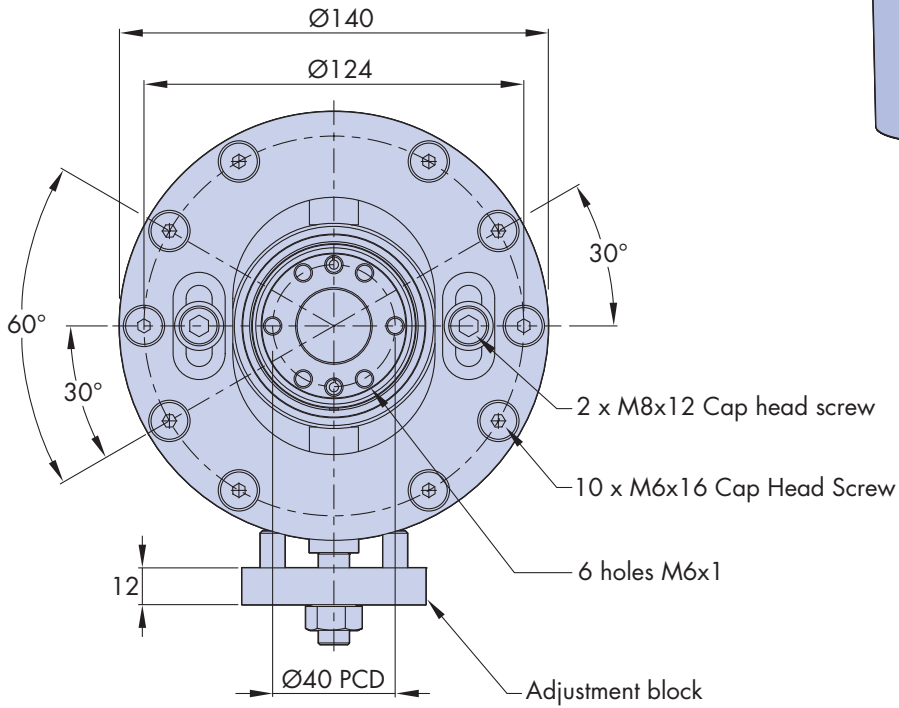
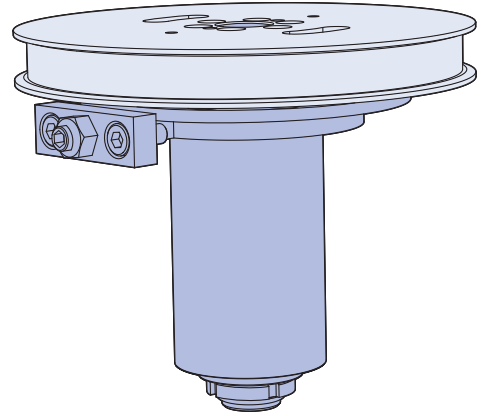



| Part Number | A | B | ØC | ØD | kg~ |
|-------------|-----|-------|----|----|------|
| DTSDS25BCSA | 327 | 277.5 | 36 | 25 | 4.55 |
| DTSDS30BCSA | 315 | 260.5 | 40 | 30 | 4.79 |

No. 8 DTS Components

Idler Shaft & Bearing Cartridge Assembly

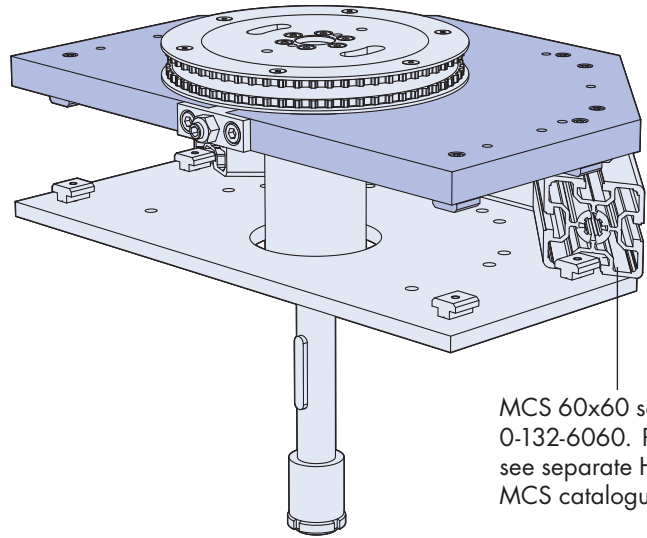
DTSISBCSA



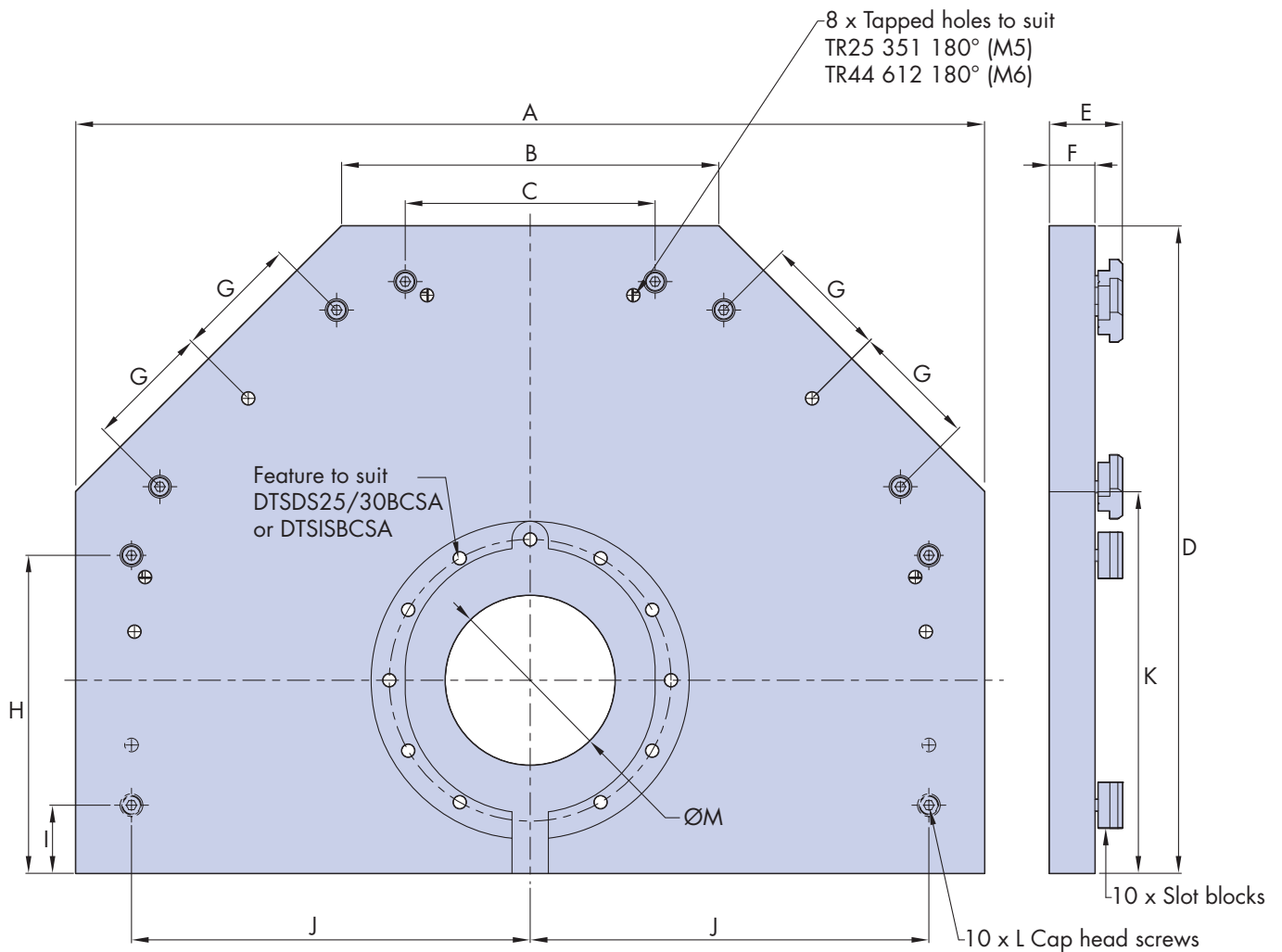

kg~
3.75

No 8 DTS Components

Top Plate Oval Assembly



MCS 60x60 section
0-132-6060. Please
see separate Hepco
MCS catalogue.



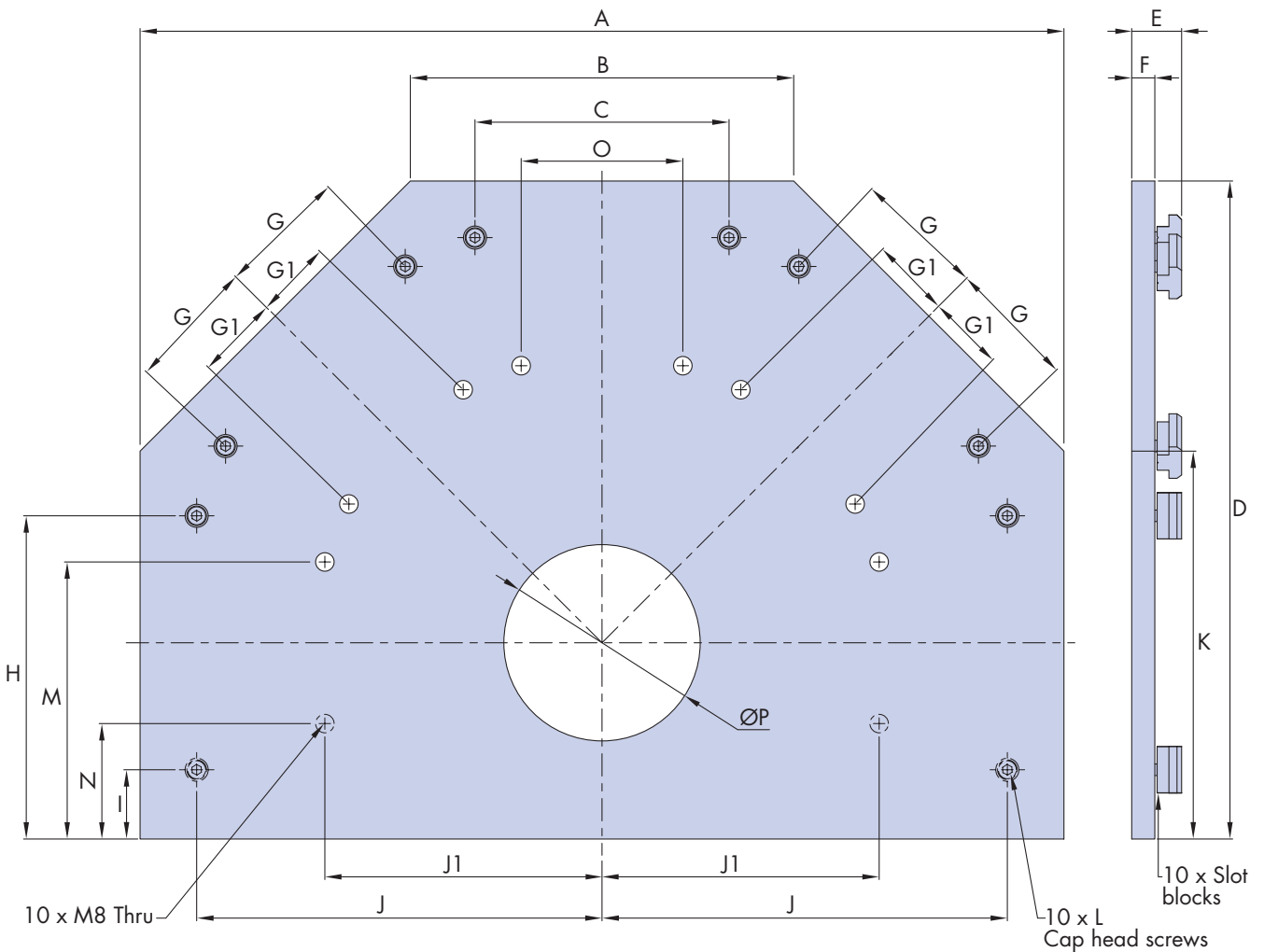
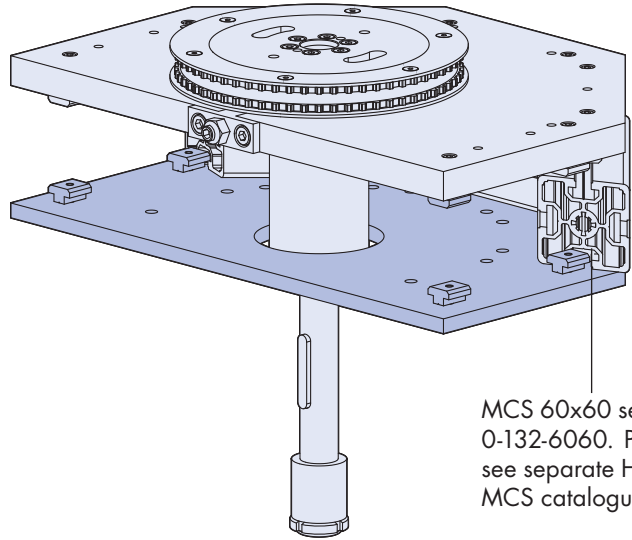
| Part Number | A | B | C | D | E | F | G | H | I REF | J REF | K | L | ØM |
|-------------------|-----|-----|-----|-----|------|----|-----|-------|----------|----------|-----|----|----|
| DTS25TPOSA | 400 | 166 | 110 | 285 | 30.5 | 20 | 55 | 140 | 30 | 175.5 | 168 | M5 | 85 |
| DTS44TPOSA | 661 | 274 | 200 | 416 | 31.5 | 20 | 100 | 185.5 | 22.5 | 306 | 222 | M6 | 85 |

Note

1. Ref dimensions are such as the holes are drilled on assembly

No 8 DTS Components

Bottom Plate Oval Assembly



| Part Number | A | B | C | D | E | F | G | G1 | H | I REF | J REF | J1 REF | K | L | M | N REF | O | ØP |
|-------------|-----|-----|-----|-----|------|----|-----|----|-------|----------|----------|-----------|-----|----|-----|----------|----|----|
| DTS25BPOSA | 400 | 166 | 110 | 285 | 21.5 | 10 | 55 | 35 | 140 | 30 | 175.5 | 120 | 168 | M5 | 120 | 50 | 70 | 85 |
| DTS44BPOSA | 661 | 274 | 200 | 416 | 22.5 | 10 | 100 | 35 | 185.5 | 22.5 | 306 | 120 | 222 | M6 | 120 | 50 | 70 | 85 |

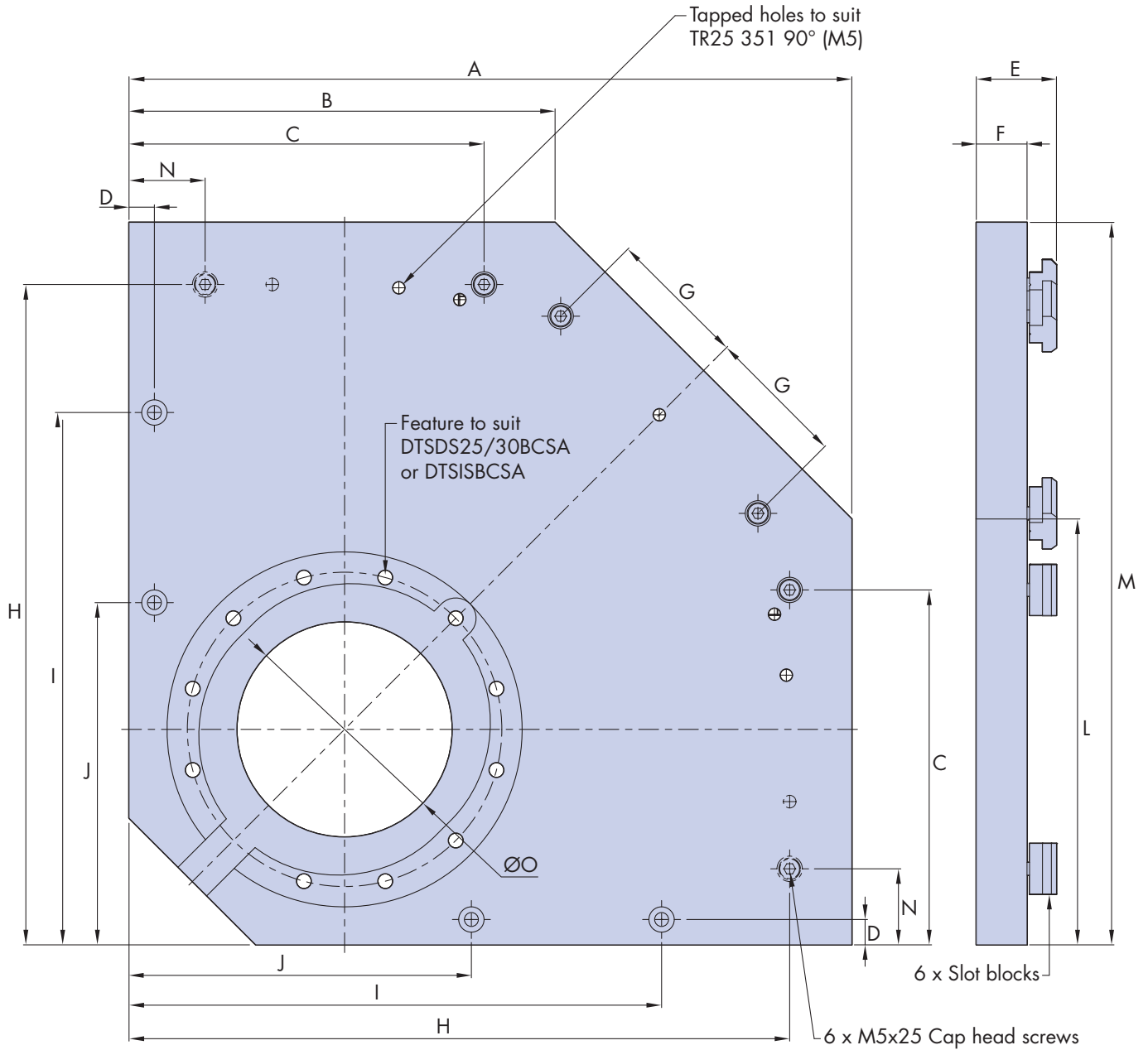
Note

1. Ref dimensions are such as the holes are drilled on assembly

No. 8 DTS Components

Top Plate Rectangular Assembly

DTS25TPRSA

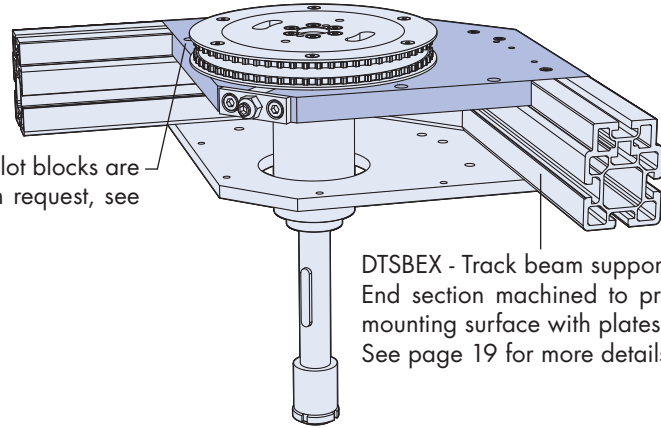


| Part Number | A | B | C | D | E | F | G | |
|-------------|-------|-----|-----|----|------|----|-----|--|
| DTS25TPRSA | 285 | 168 | 140 | 10 | 30.5 | 20 | 55 | |
| DTS44TPRSA | 415.5 | 222 | 185 | 10 | 32.5 | 20 | 100 | |

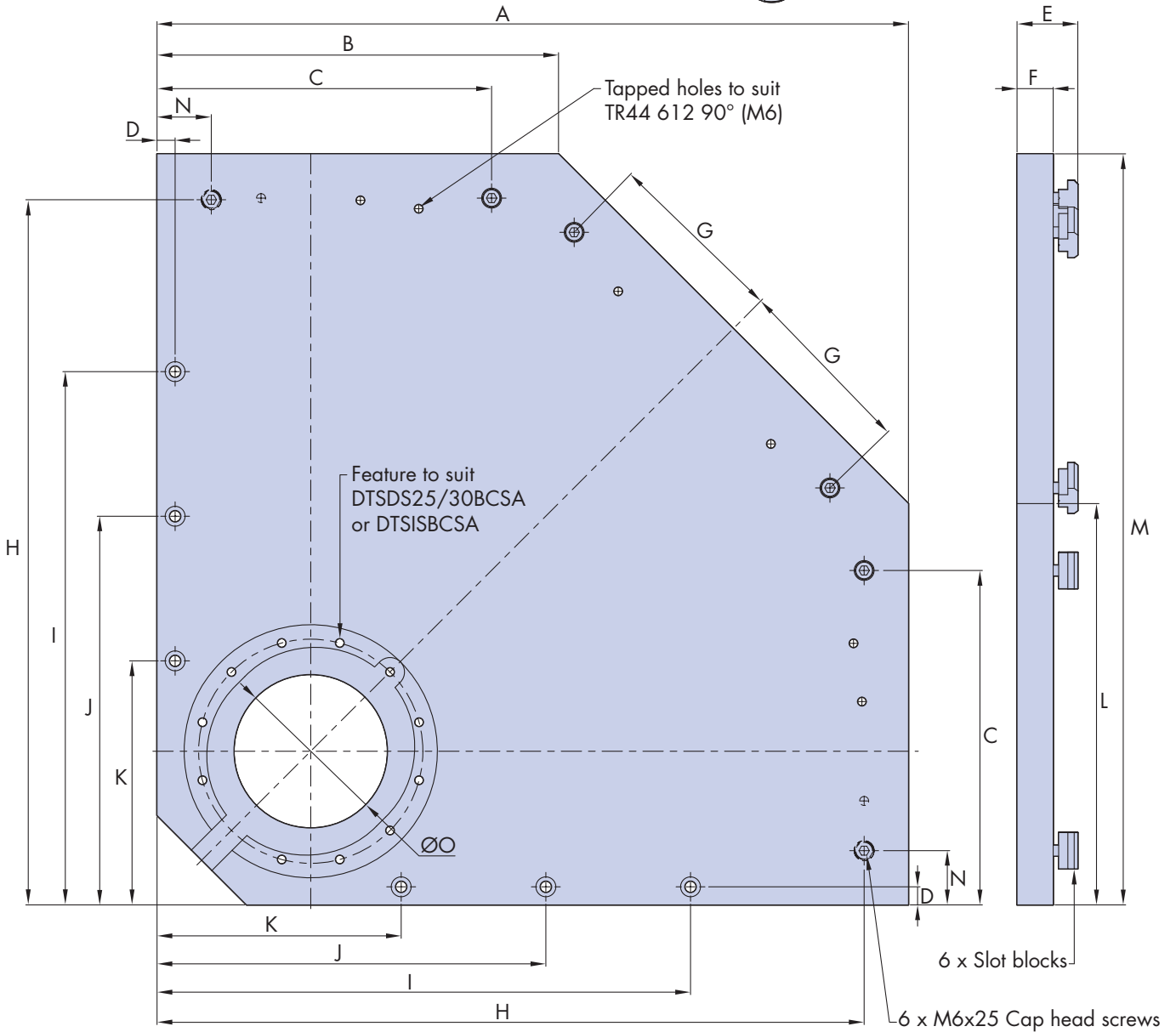
No 8 DTS Components

DTS44TPRSA

Additional Slot blocks are available on request, see page 19



DTSBEX - Track beam support extrusion
End section machined to provide flush mounting surface with plates.
See page 19 for more details.



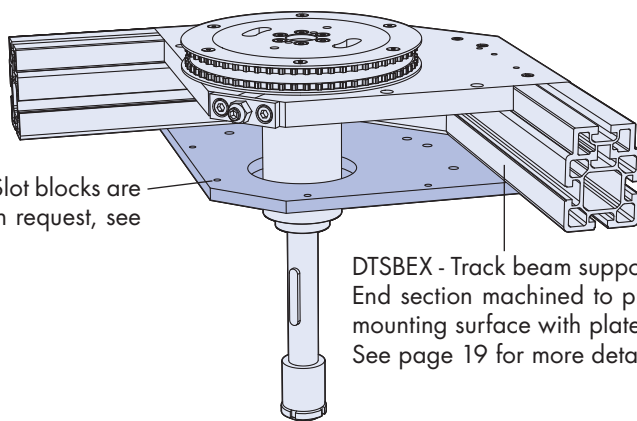
| H | I | J | K | L | M | N*1 REF | ØO |
|-------|-----|-----|-----|-----|-------|------------|----|
| 260.5 | 210 | 135 | - | 168 | 285 | 30 | 85 |
| 391 | 295 | 215 | 135 | 222 | 415.5 | 30 | 85 |

Note

1. Ref dimensions are such as the holes are drilled on assembly

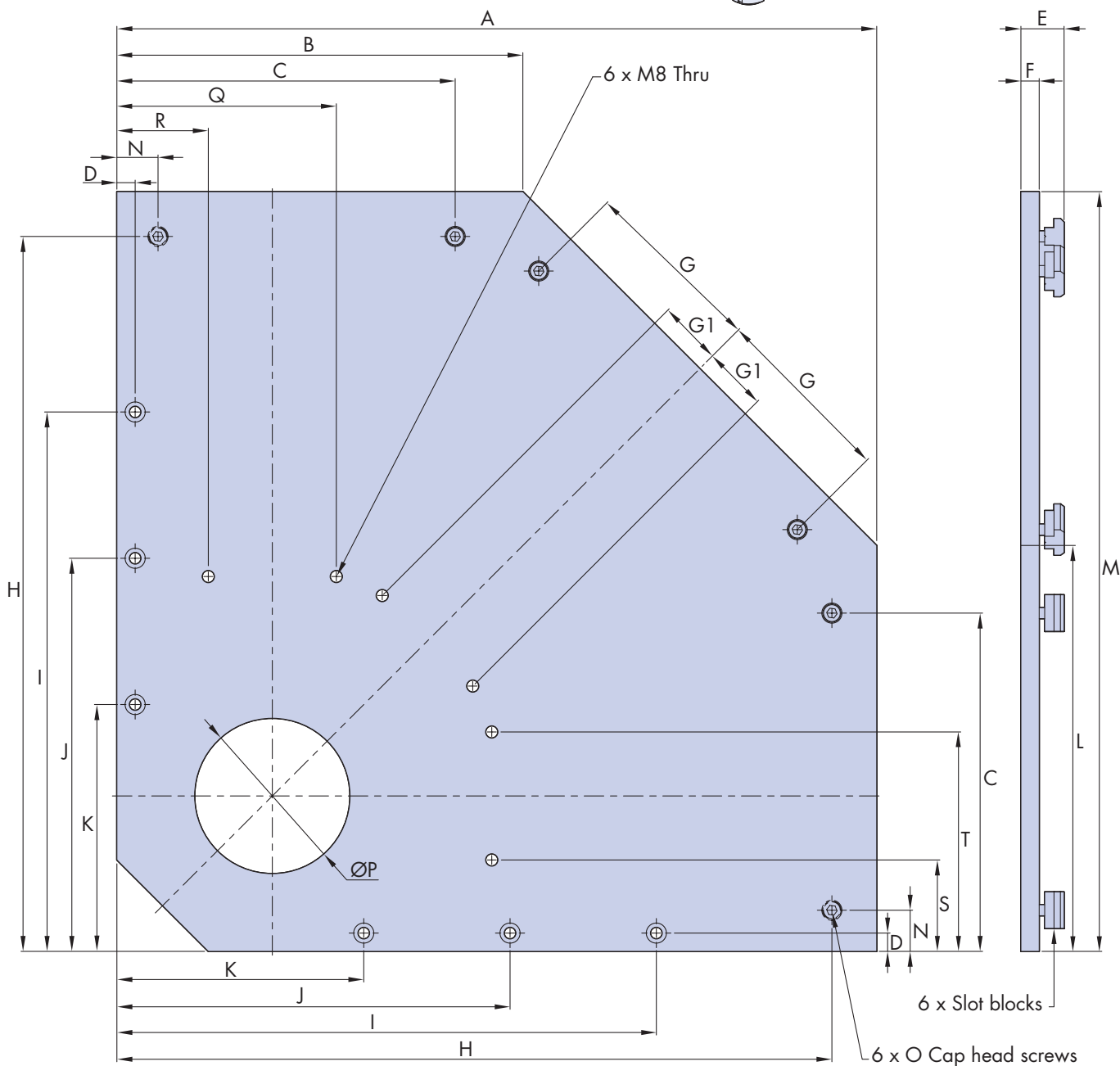
No 8 DTS Components

Bottom Plate Rectangular Assembly



Additional Slot blocks are available on request, see page 19

DTSBEX - Track beam support extrusion
End section machined to provide flush mounting surface with plates.
See page 19 for more details.



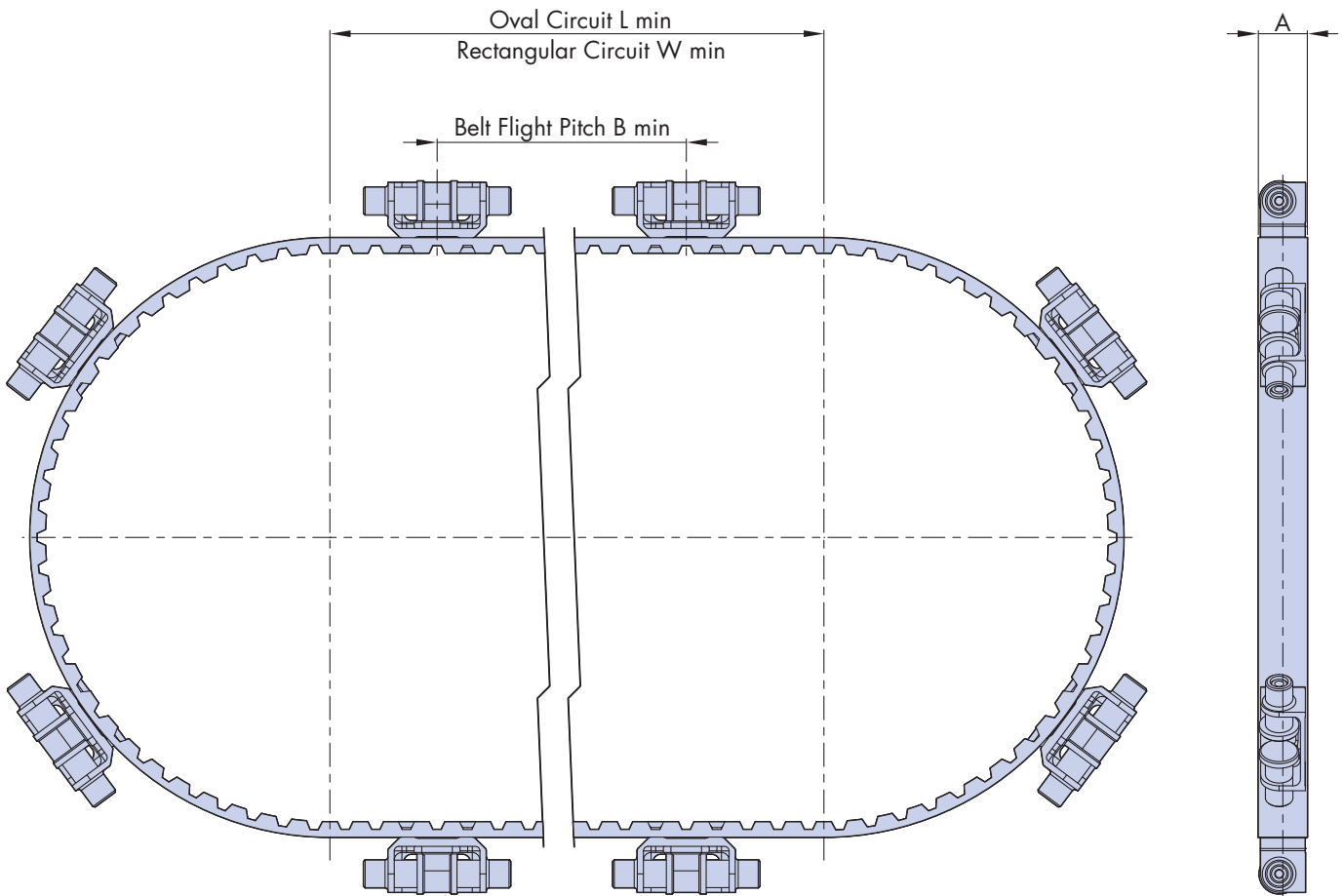
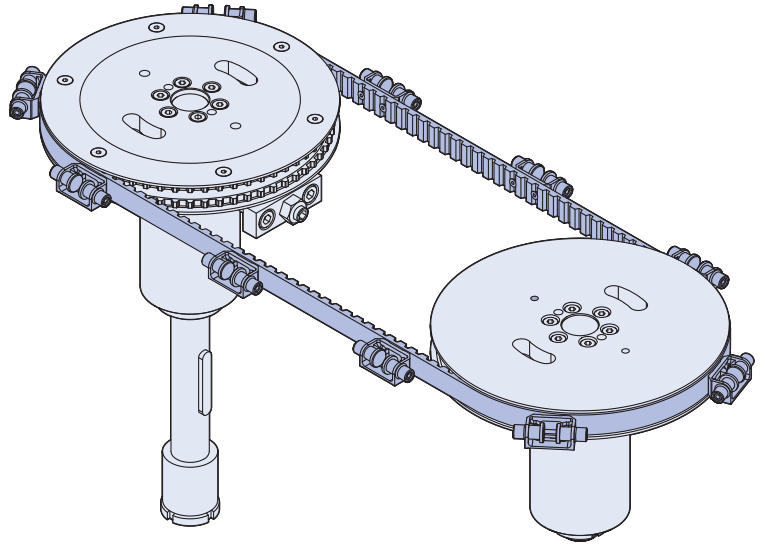
| Part Number | A | B | C | D | E | F | G | G1 | H | I | J | K | L | M | N | O | ØP | Q | R | S | T |
|-------------------|-------|-----|-----|----|------|----|-----|----|-------|-----|-----|-----|-----|-------|------|----|----|-----|----|----|-----|
| DTS25BPRSA | 285 | 168 | 140 | 10 | 21.5 | 10 | 55 | 35 | 260.5 | 170 | 70 | - | 168 | 285 | 30 | M5 | 90 | 120 | 50 | 50 | 120 |
| DTS44BPRSA | 415.5 | 222 | 185 | 10 | 22.5 | 10 | 100 | 35 | 391 | 295 | 215 | 135 | 222 | 415.5 | 22.5 | M6 | 85 | 120 | 50 | 50 | 120 |


Note

1. Ref dimensions are such as the holes are drilled on assembly

No 8 DTS Components

Drive Belt



| Part Number | A | B*1 (min) | L (min) | W (min) |  Belt kg/m~ |
|-----------------|----|--------------|------------|------------|---|
| DTS25 16AT10-EL | 16 | 110 | 250 | 450 | 0.101 |
| DTS44 25AT10-EL | 25 | 160 | 250 | 450 | 0.158 |

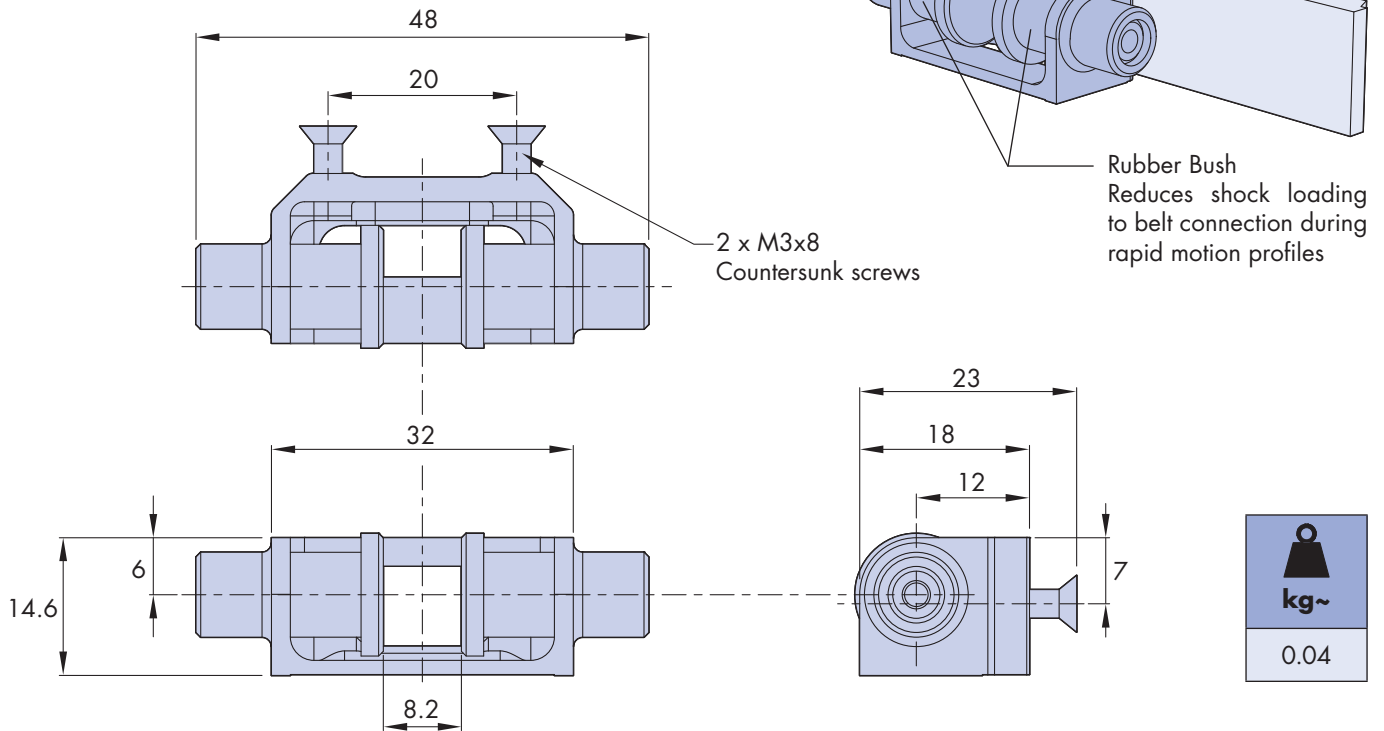
Note

1. Pitches are available in increments of 10mm from the minimum value stated above, value will correspond to carriage spacing.
2. Belt flights come with the drive belt as standard, please state number required and pitch when ordering, this will correspond to the number of carriages required.
3. For more details and dimensions of belt flights, please see page 18.

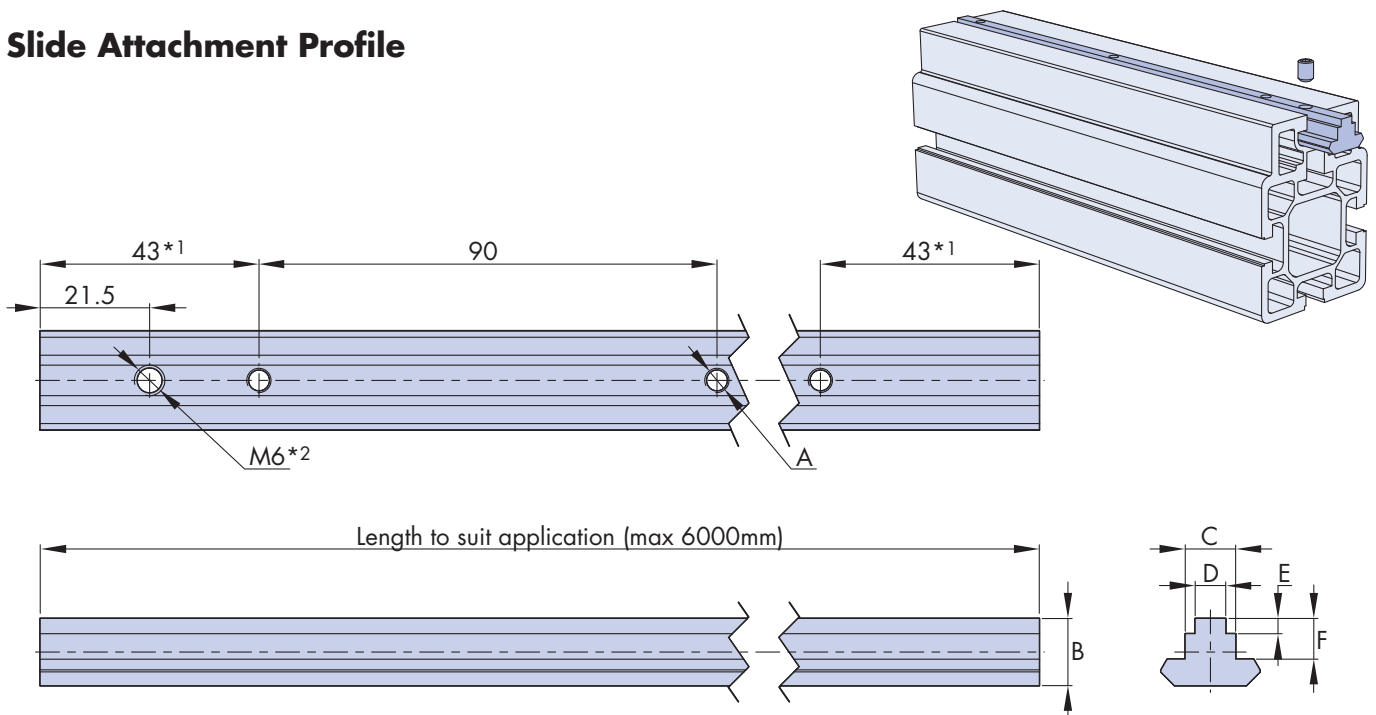
No 8 DTS Components

Belt Flight Assembly

DTSBFSA



Slide Attachment Profile



| Part Number | A | B | C | D | E | F |
|-------------|----|------|-----|---|---|---|
| TNSA10D6H5 | M5 | 13.2 | 9.9 | 6 | 3 | 8 |
| TNSA10D8H6 | M6 | 13.2 | 9.9 | 8 | 3 | 8 |

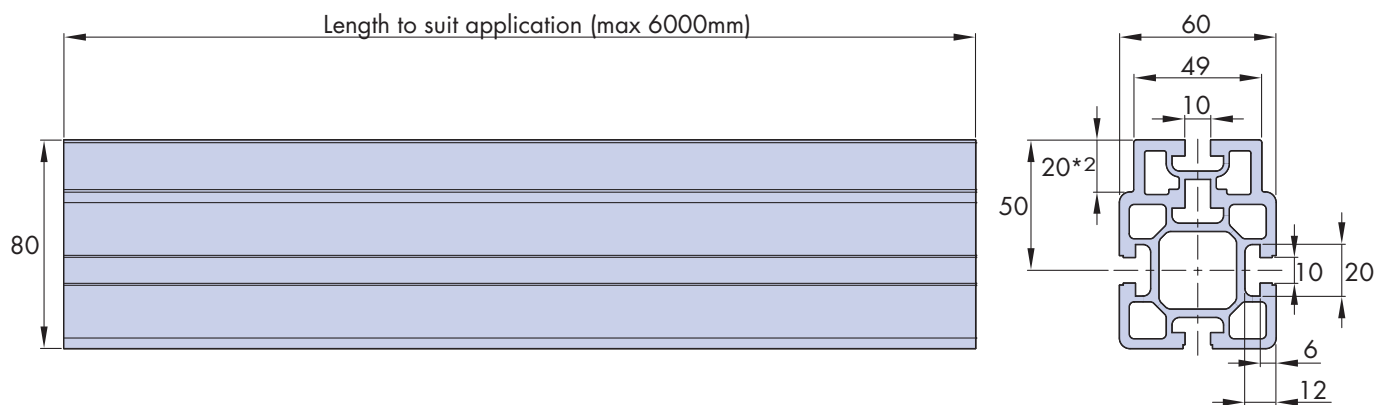
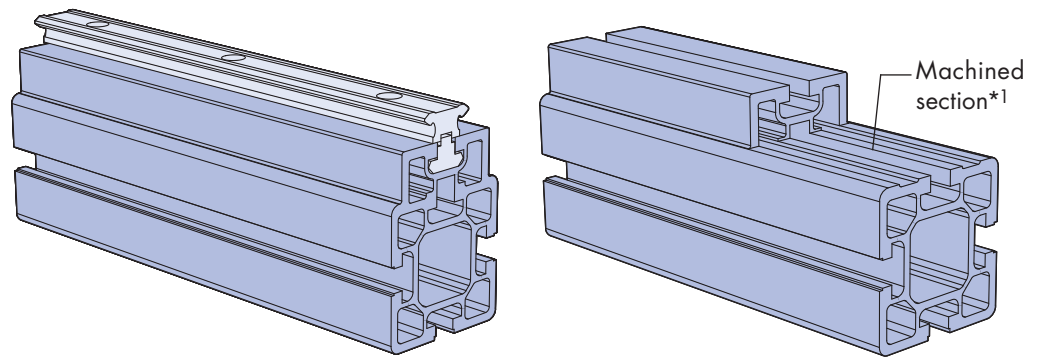
Notes

1. Dimension from last hole to the end of the slide can be changed to suit design, please specify when ordering.
2. Supplied complete with set screw to secure slide attachment profile in place.

No 8 DTS Components

Track Beam Support Extrusion/m

DTSBEX



Notes:

1. Customers can machine ends as shown to expose secondary T slot for attaching top plate by means of slot block part no 1-242-1031.
2. Tolerance to suit top plate thickness. Mating top surfaces should be flush.

Ordering details

To order any of the assemblies shown in this document, state the part number shown, followed by the quantity required. For more information or advice with a particular application, please contact Hepco's technical department.

Ordering Example

| Description | Part Number | Quantity |
|---|-------------|----------|
| DTS25 Carriage Plate Sub Assembly | DTS25CPSA | x10 |
| DTS25 Trip Latch Sub Assembly | DTS25TLSA | x10 |
| DTS25 Drive Pulley Sub Assembly | DTS25DPSA | x1 |
| DTS25 Idler Pulley Sub Assembly | DTS25IPSA | x1 |
| DTS25 Top Plate Oval Sub Assembly | DTS25TPOSA | x1 |
| DTS25 Bottom Plate Oval Sub Assembly | DTS25BPOSA | x1 |
| DTS Drive Shaft 25mm Bearing Cartridge Sub Assembly | DTSDS25BCSA | x1 |
| DTS Idler Shaft and Bearing Cartridge Assembly | DTSISBCSA | x1 |
| Slot blocks*1 M5 | 1-242-1031 | x10 |
| M6 | 1-242-1013 | |
| T-Nuts*1 M5 | 1-242-1030 | x10 |
| M6 | 1-242-1001 | |

1. Slot blocks are supplied with assemblies as shown in this document. For additional slot blocks or for T-nuts, please state quantity required at time of ordering.

HepcoMotion®, Lower Moor Business Park,
Tiverton Way, Tiverton, Devon, England EX16 6TG

Tel: +44 (0) 1884 257000

Fax: +44 (0) 1884 243500

E-mail: sales@hepcotion.com

Web: www.HepcoMotion.com



INVESTOR IN PEOPLE

