



This data sheet interacts with

HDS2 Catalogue

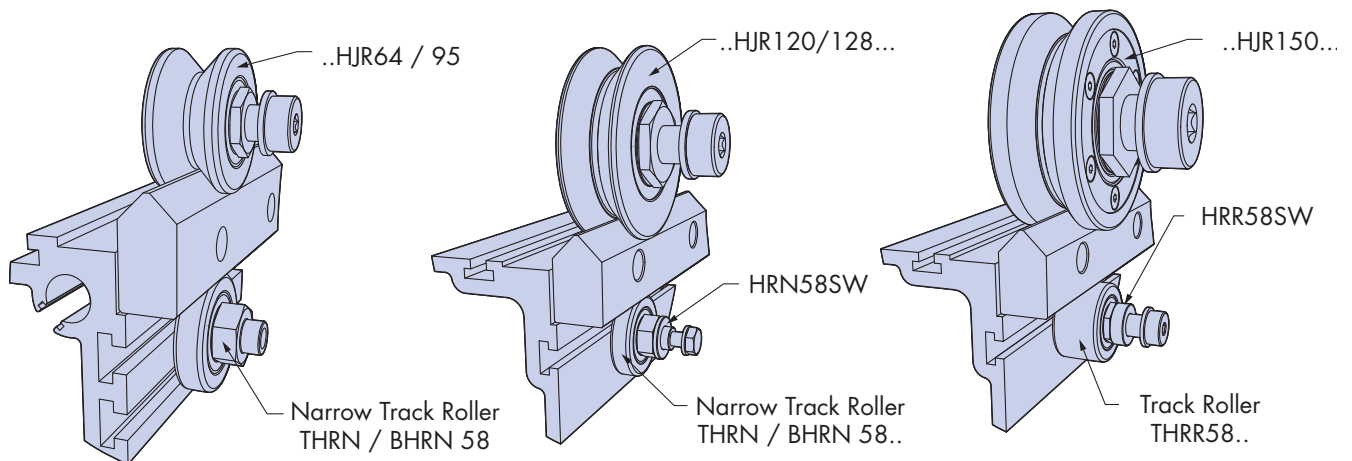


18 to 21

HepcoMotion®

No. 3 HDS2 Narrow Track Rollers

Narrow track rollers incorporate a single row ball bearing, are greased for life and incorporate nitrile seals to inhibit ingress of liquids and contaminants. They are ideally suited to captivate a system by running on the rear face of a single edge slide or track as shown below.



Due to the differing V heights of the bearings (18-21 of the HDS2 catalogue dimension "D") a spacer washer must be used if not using the 64 or 95 size bearings or their track roller equivalents, to captivate a system.

The spacer washer HRN58SW will increase the mounting height of the narrow track roller so that it can be used in conjunction with the THJR/BHJR 120 & 128 bearings.

When using the larger THJR / BHJR 150 bearings the narrow track roller is not suitable. Customers are advised to use the track roller THRR58 with the spacer washer HRR58SW.

Note: The HRR58SW spacer washer is not compatible with the BHRR58 track roller. Therefore when using the 150 bearings only the through hole THRR58 track rollers can be used.

Part Number	Bearing Size				
	.HJR64..	.HJR95..	.HJR120..	.HJR128..	.HJR150..
.HRN58..	✓	✓	✗	✗	✗
.HRN58.. + HRN58SW	✗	✗	✓	✓	✗
THRR58.. + HRR58SW	✗	✗	✗	✗	✓

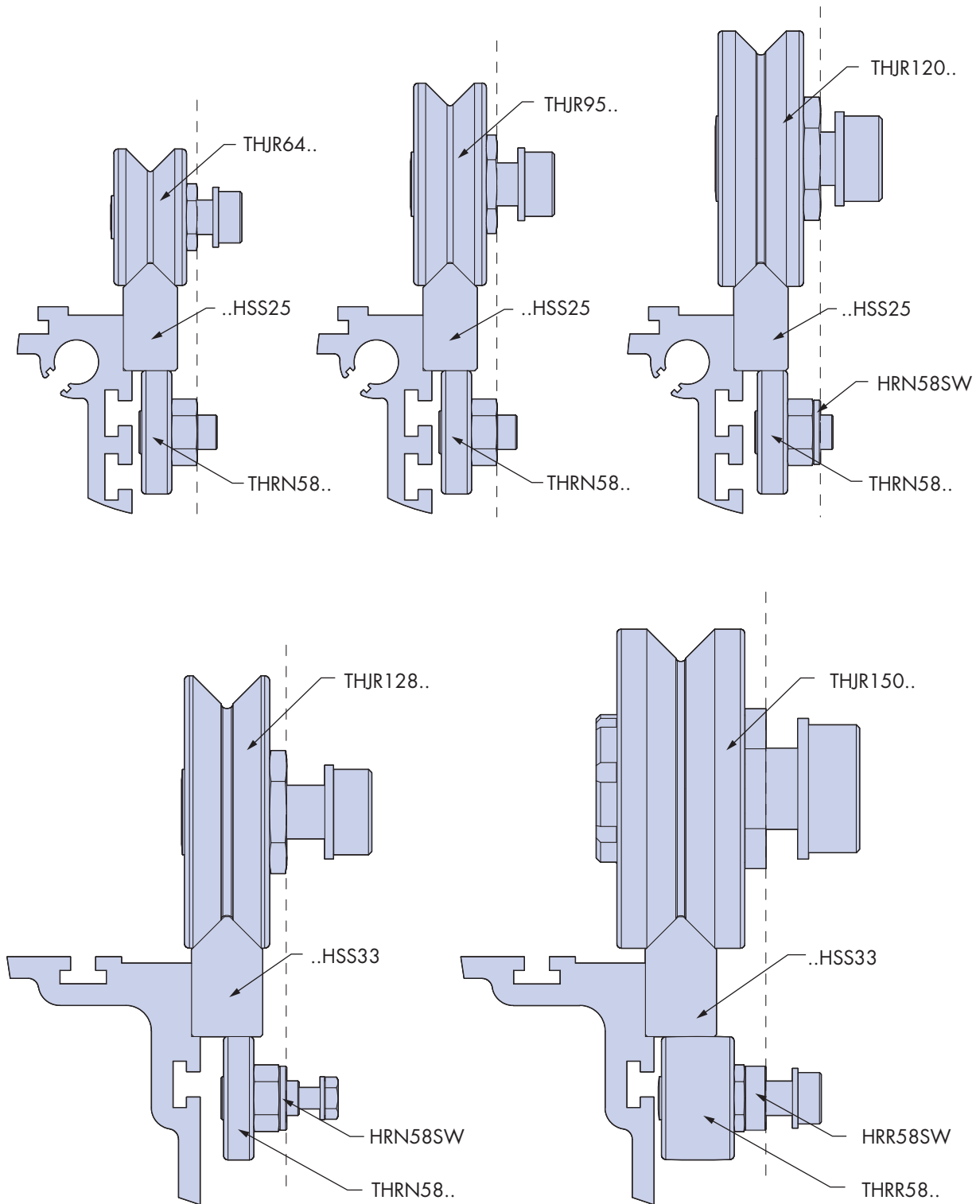
Part Number	Track Roller Size			
	.HRR58..	.HRR89..	.HJR122..	.HJR144..
.HRN58..	✓	✓	✗	✗
.HRN58.. + HRN58SW	✗	✗	✓	✗
THRR58.. + HRR58SW	✗	✗	✗	✓

✓ = Compatible

✗ = Not Compatible

No. 3 HDS2 Narrow Track Rollers

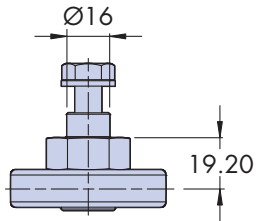
The diagrams below show the use of the narrow track roller to captivate a system when used with the different sized bearings, please note that the THJR150.. bearing requires the use of the track roller THRR58..



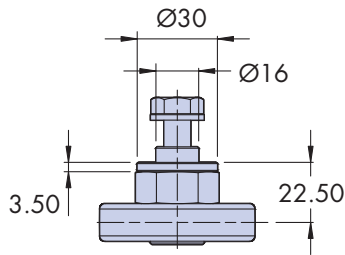
Diagrams show through hole type THJR arrangements, the same configurations would apply for BHJR versions, with the exception of the BHJR150 and BHRR58 combination as explained in the note on [1](#).

No. 3 HDS2 Narrow Track Rollers

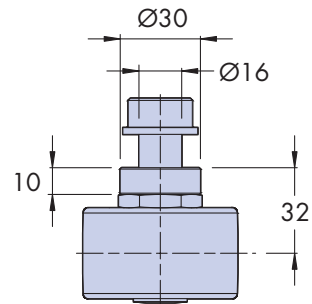
THRN58C/ENS



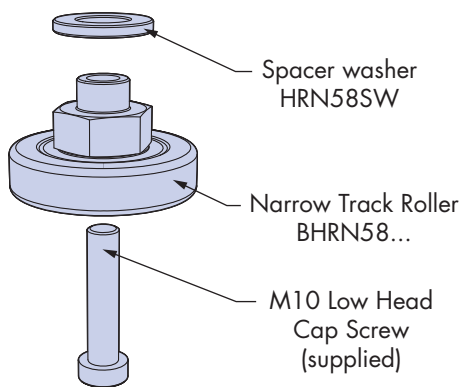
**THRN58C/ENS
+ HRN58SW**



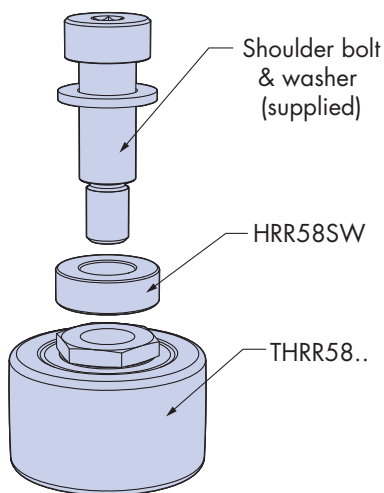
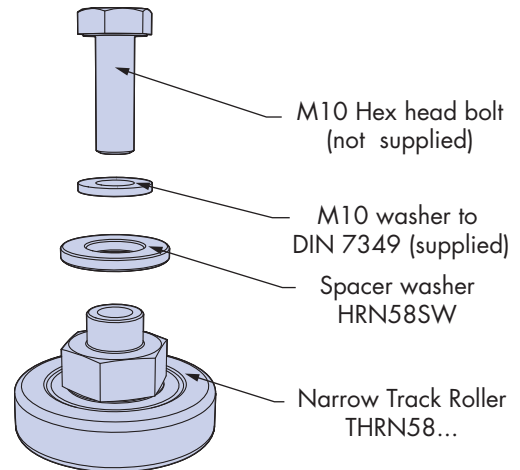
**THRR58C/ENS..
+ HRR58SW**



**Blind Hole Narrow Track Roller
BHRN58C/ENS with Spacer Washer
HRN58SW**



**Through Hole Narrow Track Roller
THRN58C/ENS with Spacer Washer
HRN58SW**



**Through Hole Track Roller
THRR58C/ENS with Spacer Washer
HRR58SW**

HepcoMotion®, Lower Moor Business Park,
Tiverton Way, Tiverton, Devon, England EX16 6TG
Tel: +44 (0) 1884 257000
Fax: +44 (0) 1884 243500
E-mail: sales@hepcotion.com