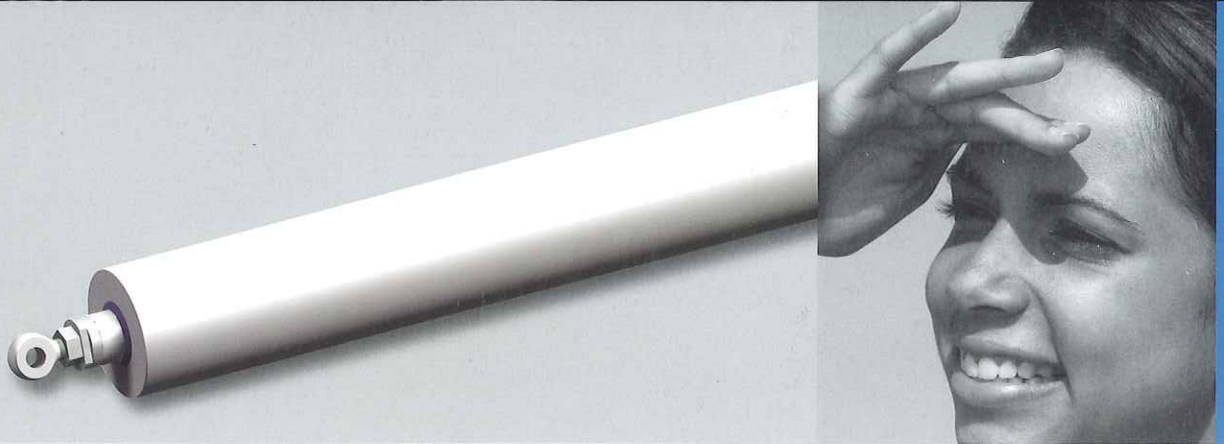


Linear actuator Aton 1



Technical data • Options • Wiring diagram

The facts

	Aton 1
Dynamic load peak (N)	2500
Static load peak (N)	5000
Stroke speed (mm/s)	3
Rating	approx. 5 min
Stroke length (mm)	200 – 450*
Operating voltage	24 V DC
Fastening	articulated lug / pivot
Protection class	IP 65
Cable length (m)	2
Housing	aluminium

* Stroke lengths available in steps of 50 mm

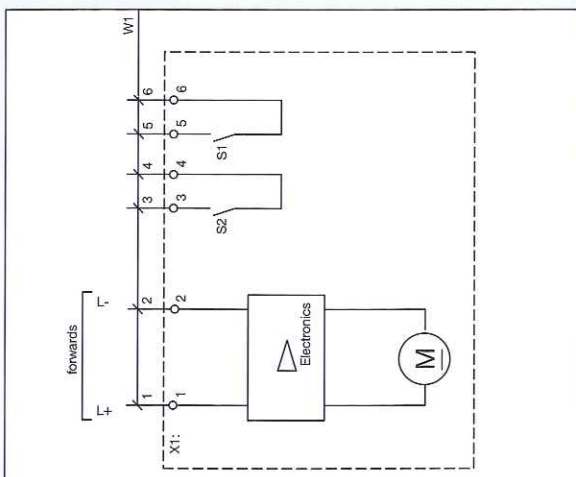
Special features

- Electronic limit switches with feedback

Further options

- Alternatively joint rod head on piston end
- Housing: brushed and / or anodised
- Lug – lug fastening

Wiring diagram



- S1 = Limit switch pos. extended
- S2 = Limit switch pos. retracted

Attention!
Feedback signal is applied only as long as L+ and L- are energised.

Operating voltage 24 V DC / Wiring diagram GS 9410

Linear actuator Aton 1

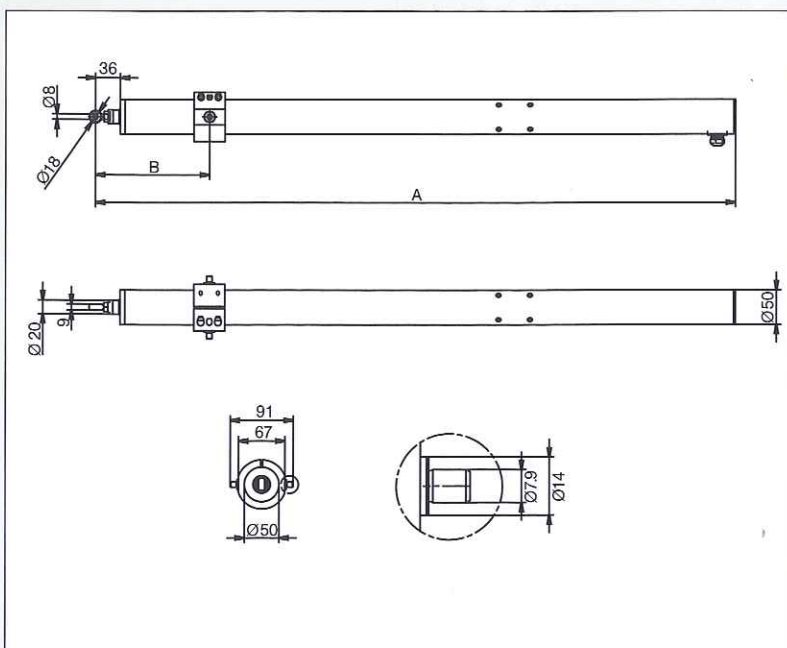


Technical data • Dimensions

Aton 1 – Dimension chart – fastening: articulated lug on piston end / pivot

Stroke length (mm)	Dimension A retracted (mm)	Dimension A extended (mm)	Dimension B selectable from - to (mm)	Housing fastening	Operating voltage
200	680	880	46 - 100	pivot	24 V DC
250	730	980	46 - 150	pivot	24 V DC
300	780	1080	46 - 200	pivot	24 V DC
350	830	1180	46 - 250	pivot	24 V DC
400	880	1280	46 - 300	pivot	24 V DC
450	930	1380	46 - 300	pivot	24 V DC

Aton 1 – Dimensional drawing – fastening: articulated lug on piston end / pivot



elero GmbH
Linearantriebstechnik

Technical / Production
Nassaeckerstrasse 11
07381 Poesneck / Germany
Phone: +49 (0) 3647 / 46 07-0
Fax: +49 (0) 3647 / 46 07-42

**Order Processing /
Repairs / Administration**
Linsenhofer Strasse 59-63
72660 Beuren / Germany
Phone: +49 (0) 70 25 / 13-02
Fax: +49 (0) 70 25 / 13-212

E-mail: info@elero-linear.de
Web: www.elero-linear.com