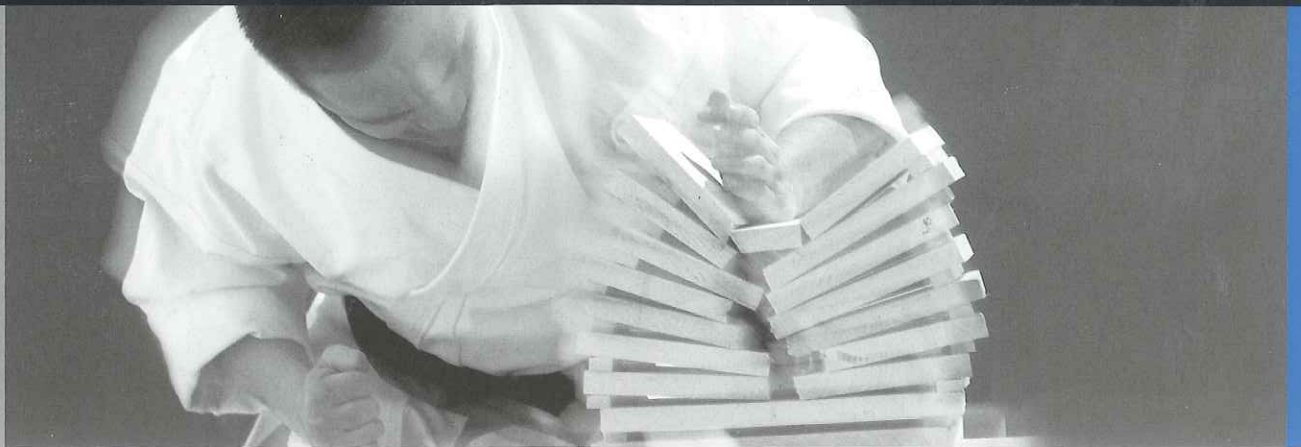


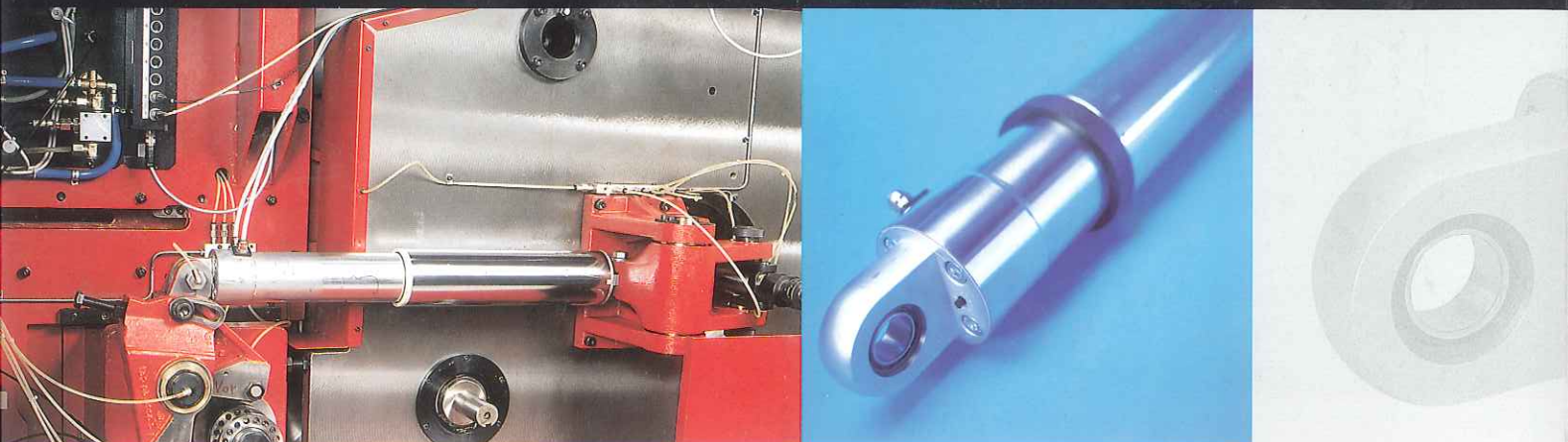
# Linear actuator Herkules



*Our robust model  
for heavy-duty  
applications*



# Linear actuators Herkules



## Description · Applications · Options

The linear actuators of the Herkules series have the following outstanding features:

- Combination of high pushing/pulling forces and low space requirement
- High static load capacity
- High impact resistance
- Low maintenance lubrication system
- Protection against dirt, dust and other environmental influences
- Suitable for heavy-duty applications

### Applications

- Lifting platforms
- Locking devices
- Tilting devices
- Slat adjustment
- Points switching and many other applications.

### The facts

	Herkules 01	Herkules 1
Load (N)	14,000–30,000	28,000–50,000
Stroke speed (mm/s)	1–9	1–9
Stroke length (mm)	up to 275	up to 320
Operating voltage	400 V/3AC, 50 Hz	
Temperature range (°C)	–20 to +50	
Double scraper ring	at piston outlet	
Limit switch system	adjustable, with status signal	
Corrosion protection	thanks to galvanised/chromed housing parts	
Protection type	IP 54	
Cable length (m)	1.5	

### Options

- Potentiometer for output of a stroke-dependent resistance value instead of limit switches
- Encoder instead of limit switches
- DIN 648 swivel eye  
GE 25 UK or GE 30 UK on piston and/or housing end
- Special coatings

Other stroke lengths, special voltages, circuit variants, cable types on request.

Our robust models



**Load (N) and stroke speeds (mm/s) Herkules 01**

Version	Stroke speed [mm/s]	Pushing/pulling force F [N]	Number of add. planetary gear stages	Nominal current I [A]	cos $\varphi$
A	9	14,000	-	2	0.8
B	6	20,000	-	2	0.8
C	2.5	30,000	1	1.8	0.7
D	1.5	30,000	1	1.5	0.7
E	1	30,000	1	1.5	0.6

**Load (N) and stroke speeds (mm/s) Herkules 1**

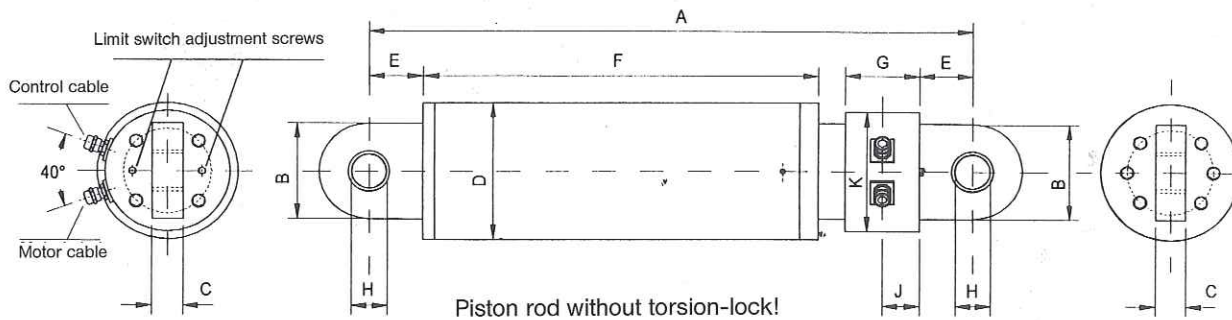
Version	Stroke speed [mm/s]	Pushing/pulling force F [N]	Number of add. planetary gear stages	Nominal current I [A]	cos $\varphi$
A	9	28,000	-	5	0.8
B	6	45,000	-	5	0.8
C	2.5	50,000	1	4	0.7
D	1.5	50,000	1	3	0.7
E	1	50,000	1	3	0.5

**Note:**

All technical data represent average values and are based on an ambient temperature of 20 °C.  
Admissible rating: S3 - 15%

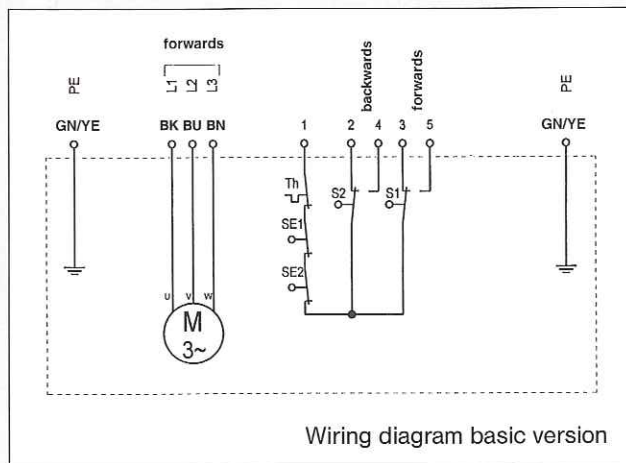
*Herkules 01*  
*Herkules 1*

# Technical data and dimensions



Version	Max. stroke length	A		B	C	D	E	F	G	H*	J	K
		min.	max.									
Herkules 01	275	590	865	60	25	100	35	412	60	25	42	88
Herkules 1	320	640	960	80	30	120	46	450	65	30	44	102

\* DU bushing; alternatively with swivel eye GE 25 UK or GE 30 UK



- Th = Thermal protection contact
- SE = Safety limit switch
- S1 = Limit switch  
Piston rod out
- S2 = Limit switch  
Piston rod in

**elero GmbH**  
**Linearantriebstechnik**  
 Nassaeckerstrasse 11  
 D-07381 Poessneck  
 Phone +49 (0) 3647 / 46 07-0  
 Fax Reception +49 (0) 3647 / 46 07-40  
 Fax Purchasing department -41  
 Fax Sales department -42

Head office:  
 Linsenhofer Str. 59-63  
 D-72660 Beuren  
 Phone +49 (0) 70 25 / 13-02  
 Fax Reception +49 (0) 70 25 / 13-212

info@elero-linear.de  
 www.elero-linear.com