



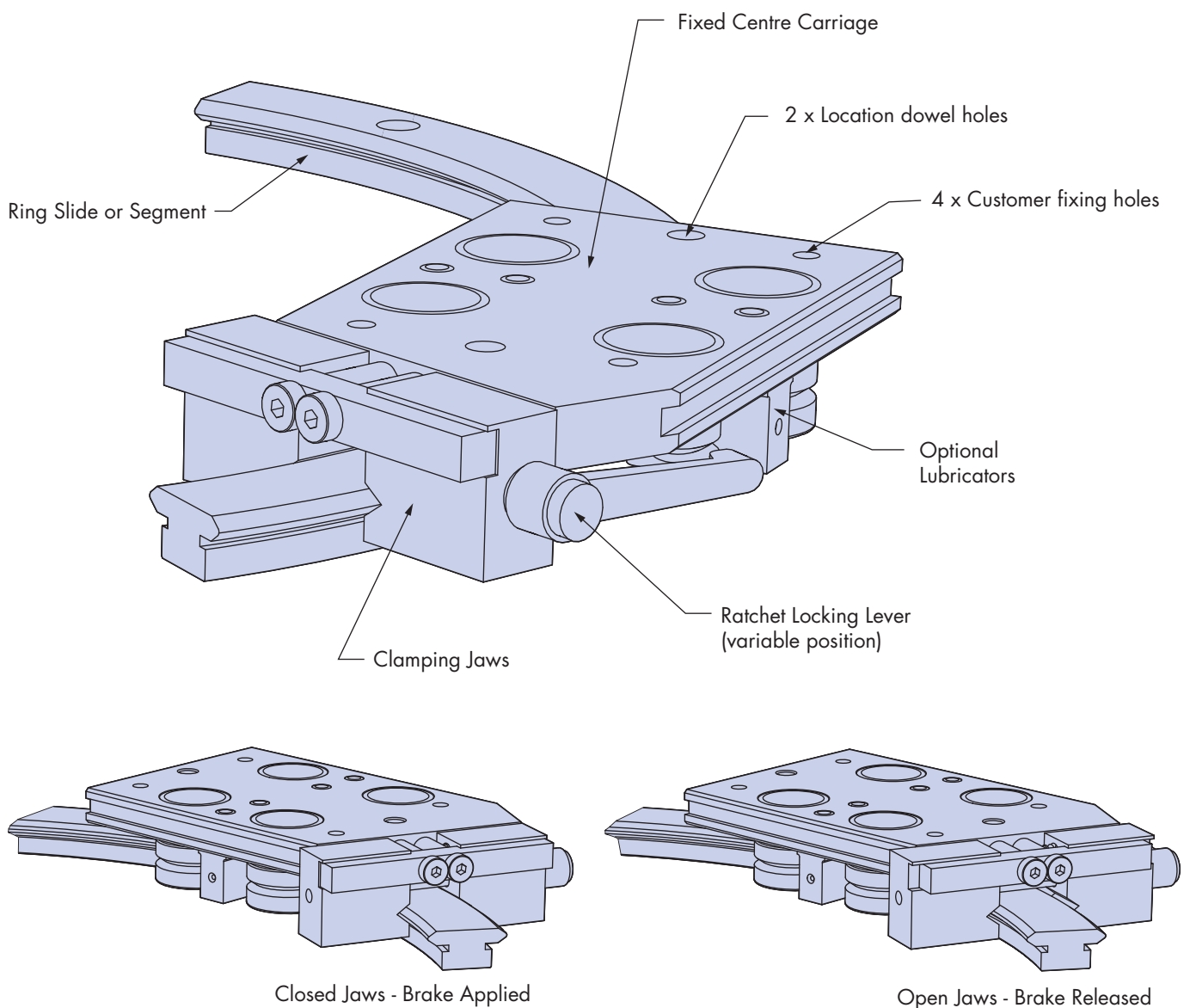
This data sheet  
interacts with  
**PRT2** Catalogue  
12-13 &  
17

# HepcoMotion®

## Fixed Centre Carriage with Clamping Brake


The HepcoMotion® Fixed Centre Carriage with Clamping Brake provides a safe and simple method of locking the carriage in position to facilitate processes where a secure, stationary platform is required. The brake is intended for manual locking of a stationary carriage and is available in sizes 25, 44 and 76. The brake contains two opposing jaws which when tightened via the ratchet locking lever, secures the carriage in place. Unlike some other systems the resulting clamping force does not load the bearings or deflect the carriage even when a high force is applied.

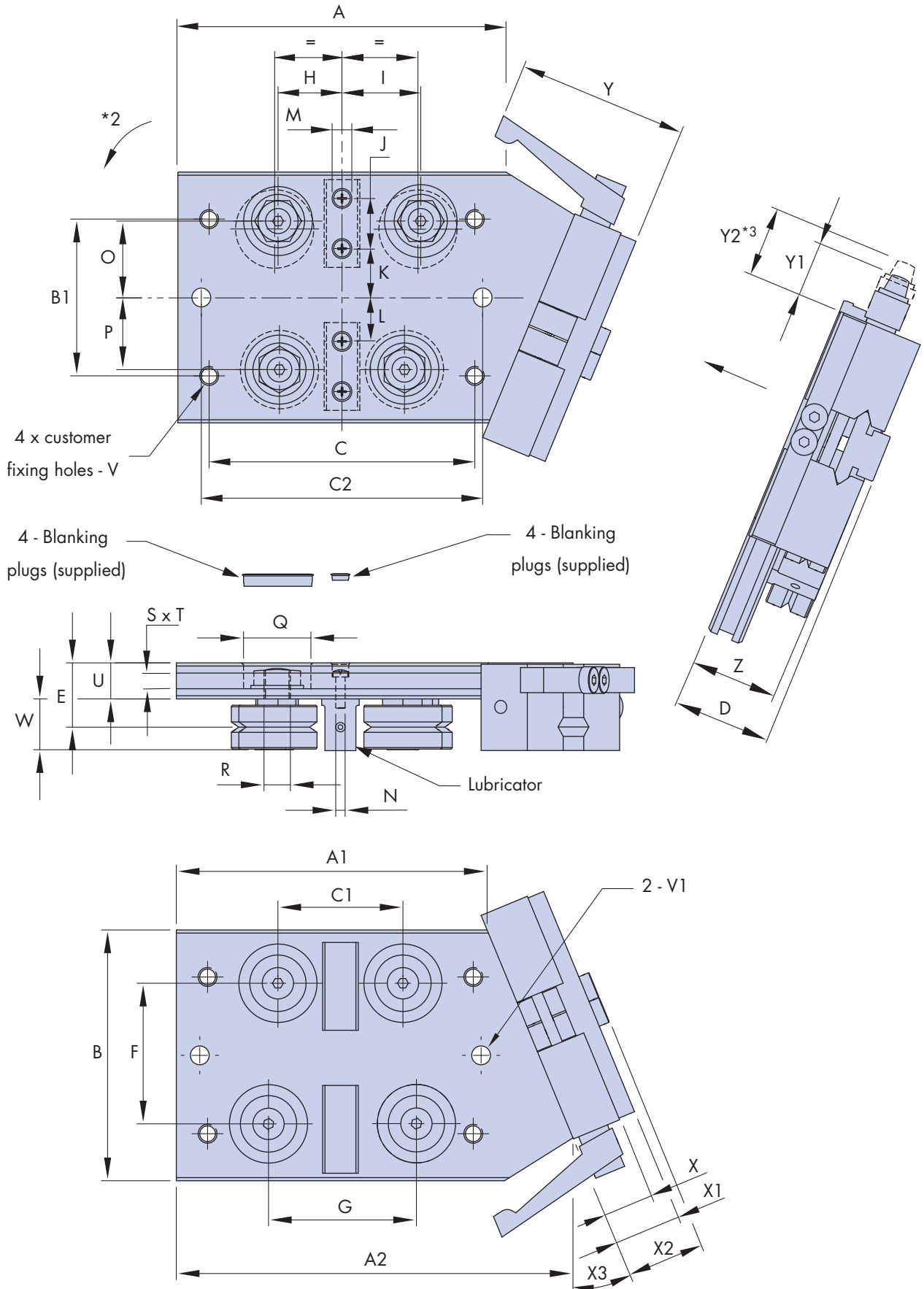
Due to the position of the brake on the carriage, it is not possible to traverse from a ring segment to a straight slide, therefore these carriages are not suitable for use with track systems and can only be used on ring slides and segments.



# Fixed Centre Carriage with Clamping Brake



## Data & Dimensions


A standard range of carriages are available from stock with right handed brakes as shown below. Left handed versions are available to order  4. The position of the ratchet locking lever is reversible so that they can be fitted on the inside of the ring or segment if required.



# Fixed Centre Carriage with Clamping Brake

## Data & Dimensions

Part Number	For Use with <sup>1</sup>		A	A1	A2	B	B1	C	C1	C2 ±0.01	D	E	F	G	H	I	J	K	L	M (∅ x depth)	N∅
																					
FCC25 255BK	R25 255	R25 255 R...	100	90.4	126	80	50	80	36.5	85	30.5	20.5	46	43.86	19.55	24.31	16	15.9	14	5.3 x 4.5	3.2
FCC25 351BK	R25 351	R25 351 R...	105	99.4	127	80	50	85	40	90	30.5	20.5	46	45.66	20.45	25.21	16	15.6	14	5.3 x 4.5	3.2
FCC44 468BK	R44 468	R44 468 R...	145	135.6	176	116	75	120	65	125	38.5	26	71.9	75.95	35.22	40.73	22	25.8	23	5.3 x 4.5	3.2
FCC44 612BK	R44 612	R44 612 R...	150	141.6	174	116	75	125	70	130	38.5	26	71.9	78.80	36.64	42.16	22	25.5	23	5.3 x 4.5	3.2
FCC76 799BK	R76 799	R76 799 R...	190	183.3	233.5	185	100	160	90	165	58.5	39	118.5	104.56	49.13	55.44	33	43	40	8 x 6.0	3.8
FCC76 1033BK	R76 1033	R76 1033 R...	210	207.4	249.5	185	100	180	110	185	58.5	39	118.5	123.48	58.59	64.90	33	43	40	8 x 6.0	3.8
FCC76 1267BK <sup>4</sup>	R76 1267	R76 1267 R...	250	258.6	299	185	100	205	130	225	58.5	39	118.5	142.82	68.26	74.57	33	43	40	8 x 6.0	3.8
FCC76 1501BK <sup>4</sup>	R76 1501	R76 1501 R...	270	270	305.5	185	100	225	150	245	58.5	39	118.5	162.38	78.04	84.35	33	43	40	8 x 6.0	3.8

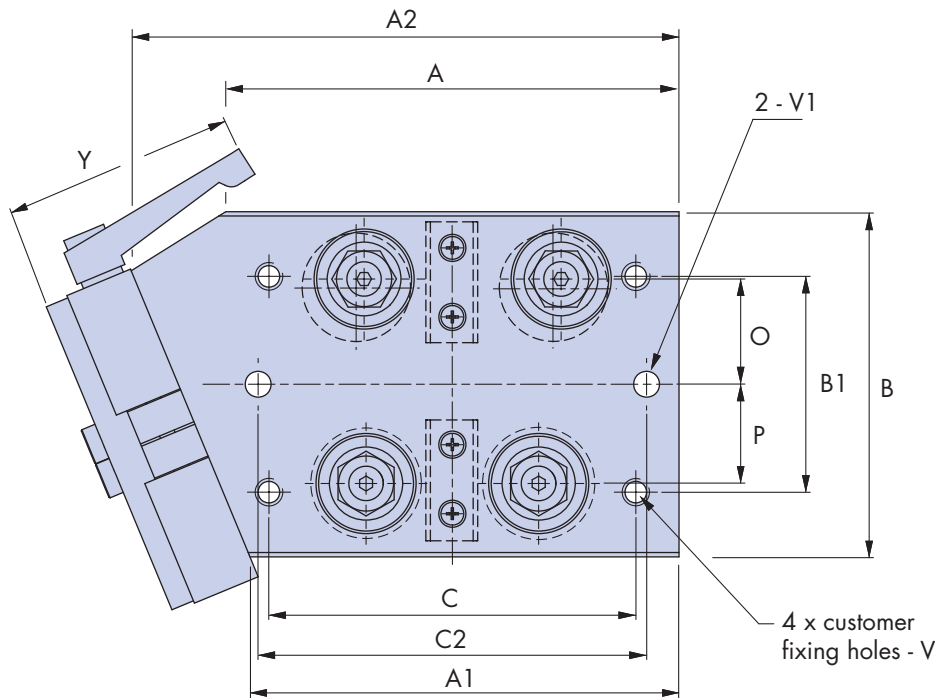
O	P	Q (∅ x depth)	R∅ (hole size) (F6)	S (depth)	T (width)	U	V	V1∅ (K6)	W	X	X1	X2	X3	Y ~	Y1 ~	Y2 ~	Z	 kg~	Part Number
24.38	23.01	22 x 8.4	8 +0.022 +0.013	2	5	11.5	M6 x 1.0	6 +0.002 -0.006	16.6	16	21.5	25	30	64	30	35	28.1	0.55	FCC25 255BK
24.38	23.01	22 x 8.4	8 +0.022 +0.013	2	5	11.5	M6 x 1.0	6 +0.002 -0.006	16.6	16	21.5	25	22.5	64	30	35	28.1	0.56	FCC25 351BK
38.25	35.94	25 x 8.7	10 +0.022 +0.013	2	6	14.5	M8 x 1.25	8 +0.002 -0.007	21.3	16	23.5	27.5	22.5	90	44	50	36.1	1.3	FCC44 468BK
38.25	35.94	25 x 8.7	10 +0.022 +0.013	2	6	14.5	M8 x 1.25	8 +0.002 -0.007	21.3	16	23.5	27.5	17	90	44	50	36.1	1.3	FCC44 612BK
63.76	59.25	32.1 x 13.5	14 +0.027 +0.016	4	8	20	M10 x 1.5	10 +0.002 -0.007	34.7	20	33.5	38.5	18	110	54	62	54	3.5	FCC76 799BK
63.76	59.25	32.1 x 13.5	14 +0.027 +0.016	4	8	20	M10 x 1.5	10 +0.002 -0.007	34.7	20	33.5	38.5	15	110	54	62	54	3.7	FCC76 1033BK
63.76	59.25	32.1 x 13.5	14 +0.027 +0.016	4	8	20	M10 x 1.5	10 +0.002 -0.007	34.7	20	33.5	38.5	15	110	54	62	54	4.1	FCC76 1267BK
63.76	59.25	32.1 x 13.5	14 +0.027 +0.016	4	8	20	M10 x 1.25	10 +0.002 -0.007	34.7	20	33.5	38.5	12.5	110	54	62	54	4.2	FCC76 1501BK

### Notes:

1. Fixed centre carriages with clamping brakes are not available for rings and segments smaller than R25-255.
2. Offset holes in carriage for eccentric bearings necessitate adjustment rotation in the direction shown.
3. Dimension Y2 is with the locking lever in the disengaged position.
4. These fixed centre carriages with clamping brake are designed to suit larger rings (R76 1267 & R76 1501) than are currently detailed in the PRT catalogue. Please contact Hepco's technical department for details.

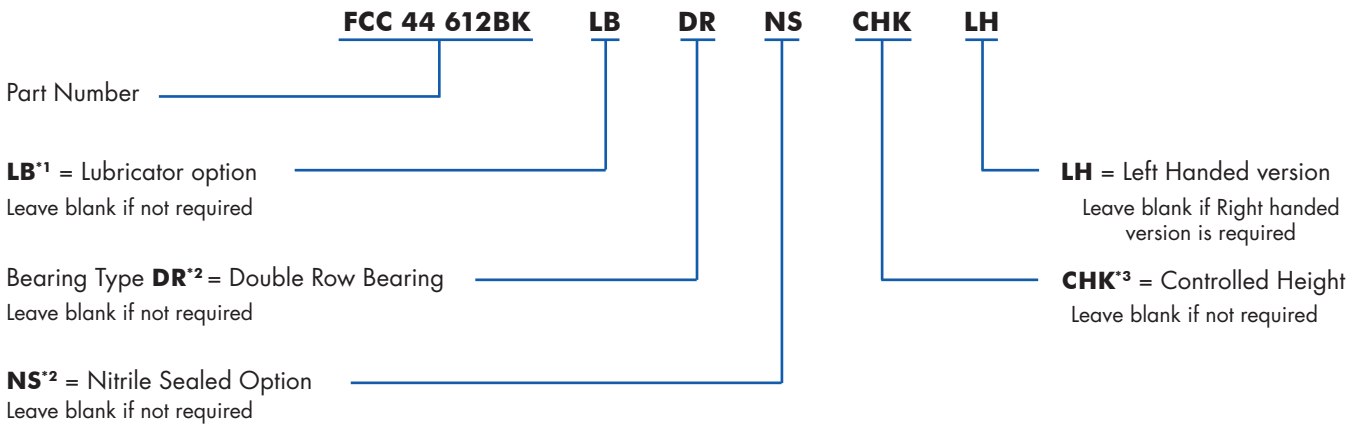
# Fixed Centre Carriage with Clamping Brake

## Data & Dimensions - Optional Left Handed version



Left handed versions of the fixed centre carriage are available to order. Other than the position of the brake the general layout and dimensions are the same as the right handed versions, dimensions can be found in the table on [page 3](#).

### Ordering details:



### Notes:

1. Carriages are normally recommended to be ordered complete with Lubricators, it will not be necessary for all carriages to be fitted with Lubricators. Accumulative high friction may also result. Please contact Hepco's technical department for advice.
2. For details on Double Row and nitrile sealed bearings please see the GV3 Linear Guidance and Transmission System catalogue [pages 32-33](#).
3. Controlled height bearings are selected within  $\pm 0.010\text{mm}$  in respect to vee height. Specifying this option provides best parallelism on height dimension D and will ensure that carriages in one order will match to a close tolerance. For more information contact Hepco's technical department.

HepcoMotion®, Lower Moor Business Park,  
Tiverton Way, Tiverton, Devon, England EX16 6TG

Tel: +44 (0) 1884 257000

Fax: +44 (0) 1884 243500

E-mail: [sales@hepcotion.com](mailto:sales@hepcotion.com)

Web: [www.HepcoMotion.com](http://www.HepcoMotion.com)



INVESTOR IN PEOPLE

