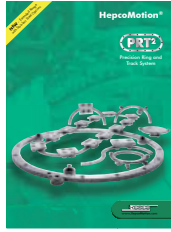


This datasheet interacts with the catalogues below

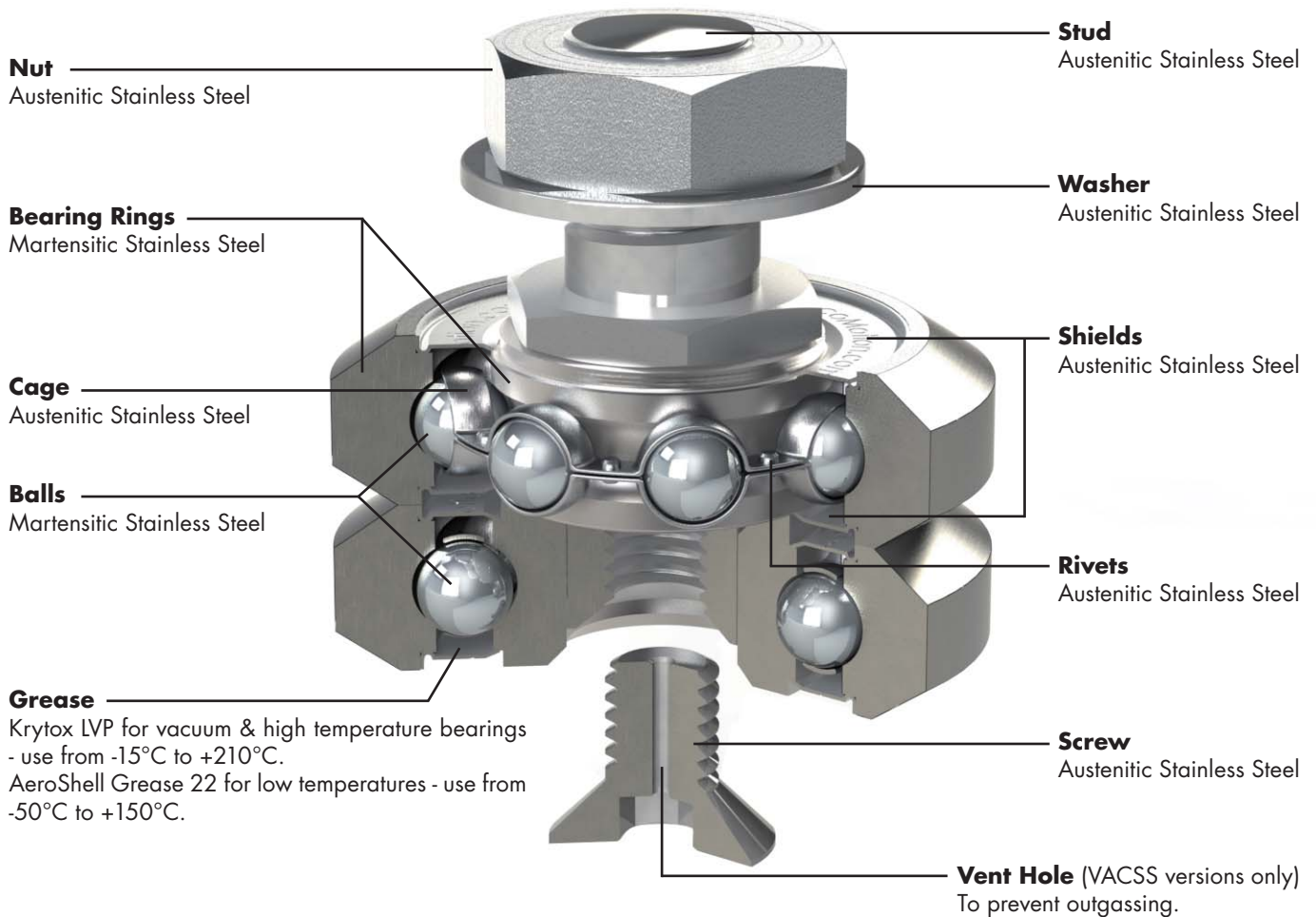


HepcoMotion®

Vacuum & Extreme Temperature Bearings and Track Rollers

HepcoMotion® Vacuum & Extreme Temperature Bearings and Track Rollers are designed for extreme environments. They are available in sizes from 18 to 54mm in diameter, with a broad range of fixing styles, and with load capacities from 180 to 4,200N. They can be used with stainless steel linear and curved slides from the Hepco SL2 and PRT2 ranges.

Both the VACSS range of vacuum & high temperature bearings and the LTSS range of low temperature bearings use components which are entirely made from stainless steel. Their construction and materials are shown below.



...BHJ34E, See 3



Track Roller, See 4

Vacuum & High Temperature Bearings



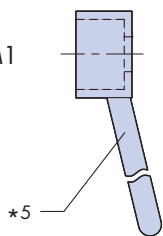
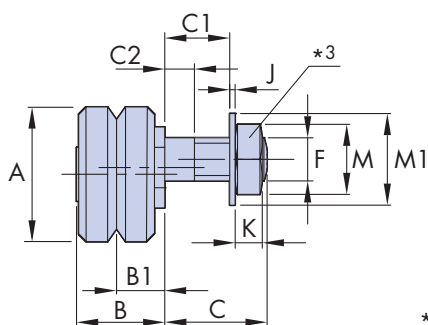
Hepco VACSS Vacuum & High Temperature Bearings are made entirely from stainless steel parts and are lubricated internally for life using Krytox LVP grease. They are suitable for use in high vacuum, at temperatures from -15°C to +210°C, and in the presence of oxygen. They are widely used in applications including semiconductor wafer manufacture, aerospace components, vapour deposition processes, LCD panel and plasma display manufacture and in vacuum evaporation equipment.

The bearings have the same dimensions as those in the HepcoMotion SL2 range (visit www.HepcoMotion.com/SL2datauk and select SL2 catalogue 12-13). They are compatible with SL2 stainless steel linear slides, as well as the stainless steel rings and tracks in the Hepco PRT2 range (visit www.HepcoMotion.com/PRT2datauk).

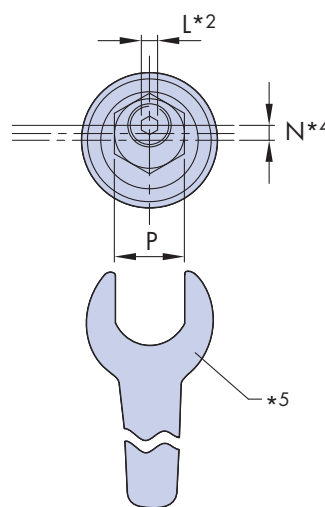
The ...J18... bearings have a different construction to the larger sizes, using a one-piece outer wheel into which two smaller bearings are fitted. This size is not available in the low temperature LTSS version.

These bearings can be supplied with alternative grease, without grease or without shields, on request.

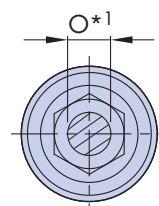
Through Fixing Type (SJ/LJ)



Eccentrics (E&DE)^{*3}



Concentric (C)^{*3}



Part Number	A	B	B1	C		C1		C2		D ±0.025	E
				SJ	LJ	SJ	LJ	SJ	LJ		
...J18...	18	12.4	6.75	7.4	14	3.4	10	2.4	2.5	14.00	7
...J25...	25	16.6	9	9.8	19	3.8	13	2.2	4.9	20.27	10
...J34...	34	21.3	11.5	13.8	22	6.6	14.8	5.2	5.9	27.13	12
...J54...	54	34.7	19	17.8	30	8.2	20.4	5.7	7.9	41.76	25

Q	R ^{*4}	S	S1	T	T1	T2	U ±0.1	U1	V	W	X	Y	Z
2	1.2	8	10.5	10	4	8	38	54	11	24.5	M4	7	7
3	1.5	7	9	12	5	10	50	72	14	32	M5	8.5	10
4	2.0	9.5	8.5	17.5	6.5	12.5	60	90.5	17	42	M6	10	14
8	3.0	14.5	16.4	23.5	10.5	18.5	89.5	133	25	62	M8	13	20

Notes:

1. It is recommended that holes to suit bearing mounting studs should be reamed to tolerance F6 for a sliding fit.
2. Eccentric bearing fixing studs are supplied with hexagon sockets for adjustment as shown.
3. Nuts and washers are supplied with both concentric and eccentric SJ/LJ type bearings.
4. 'N' is the eccentric offset due to the eccentric design (2 x N = total stroke). R dimension is both the eccentric offset of the adjusting nut and total stroke at the bearing centreline.
5. For adjusting tool part numbers see table. For adjustment procedure and fixing nut tightening torques see HepcoMotion SL2 catalogue 20.
6. To calculate the load capacity and life of systems using these bearings, please use the methods shown in the HepcoMotion GV3 catalogue (visit www.HepcoMotion.com/GV3datauk and select GV3 catalogue 59).

Low Temperature Bearings

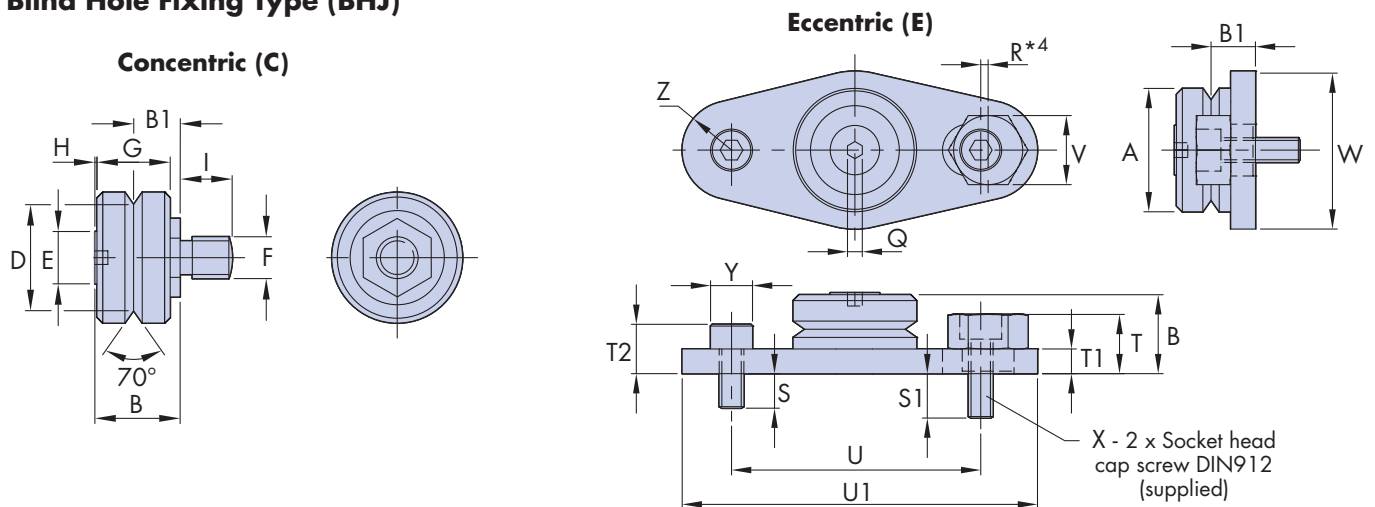


Hepco LTSS Low Temperature Bearings are lubricated internally for life using AeroShell Grease 22 which is suitable for use at temperatures from -50°C to +150°C. This lubricant enables use in much colder conditions than the VACSS bearings, opening up applications in cold stores and specialised freeze dry equipment.

Through Hole Fixing type is available in two stud lengths covering most thicknesses of mounting plate. Both are available in **Concentric (C)** which are fixed, **Eccentric (E)**, adjustable, and **Double Eccentric (DE)** which have sufficient adjustment to enable a carriage to be disengaged from the slide.

Blind Hole Fixing type (BHJ) allows mounting into a solid machine base where through mounting holes are not possible, or where the thickness of the mounting plate is too great. The Blind Hole Fixing type is also useful where adjustment from the front is preferred or where access to the opposite side of the mounting hole is restricted. They are available in **Concentric (C)** which are fixed, or **Eccentric (E)** which are adjustable.

Blind Hole Fixing Type (BHJ)



	F Metric Fine	G	H	I	J	K	L	M	M1	N ⁴		O ¹ +0.0 -0.03	P
										...E	...DE		
	M6 x 0.75	10	0.6	7.4	0.8	3.2	2.5	10	13	0.7	2.6	6	11
	M8 x 1	14	0.5	9.8	1	5	3	13	17	0.75	2.75	8	13
	M10 x 1.25	18	0.7	13.8	1.25	6	4	17	21	1	3.6	10	15
	M14 x 1.5	28	1.6	17.8	1.6	8	6	22	28	1.5	5.5	14	27

Adjusting Wrench ⁵	Socket Tool ⁵	Max Working Load Capacities (N) ⁶				Basic Life ⁶		Weight g				Part Number
		Lubricated		Dry		Lubricated	Dry	SJ..C/E	LJ..C/E	BHJ..C	BHJ..E	
		Axial	Radial	Axial	Radial							
AT18	RT6	60	180	36	72	80	50	19	20	18	45	...J18...
AT25	RT8	240	450	80	160	50	70	48	51	43	105	...J25...
AT34	RT10	520	900	160	320	100	100	115	120	105	235	...J34...
AT54	RT14	1,350	2,400	360	720	250	150	415	425	390	800	...J54...

Ordering Details

Bearing Type: **VAC** = Vacuum & High Temperature
LT = Low Temperature

SS = Stainless steel

Fixing type: **SJ** = Short stud
LJ = Long stud
BHJ = Blind hole fixing

Journal type: **C** = Concentric (fixed)
E = Eccentric (adjustable)
DE = Eccentric (adjustable SJ/LJ only)

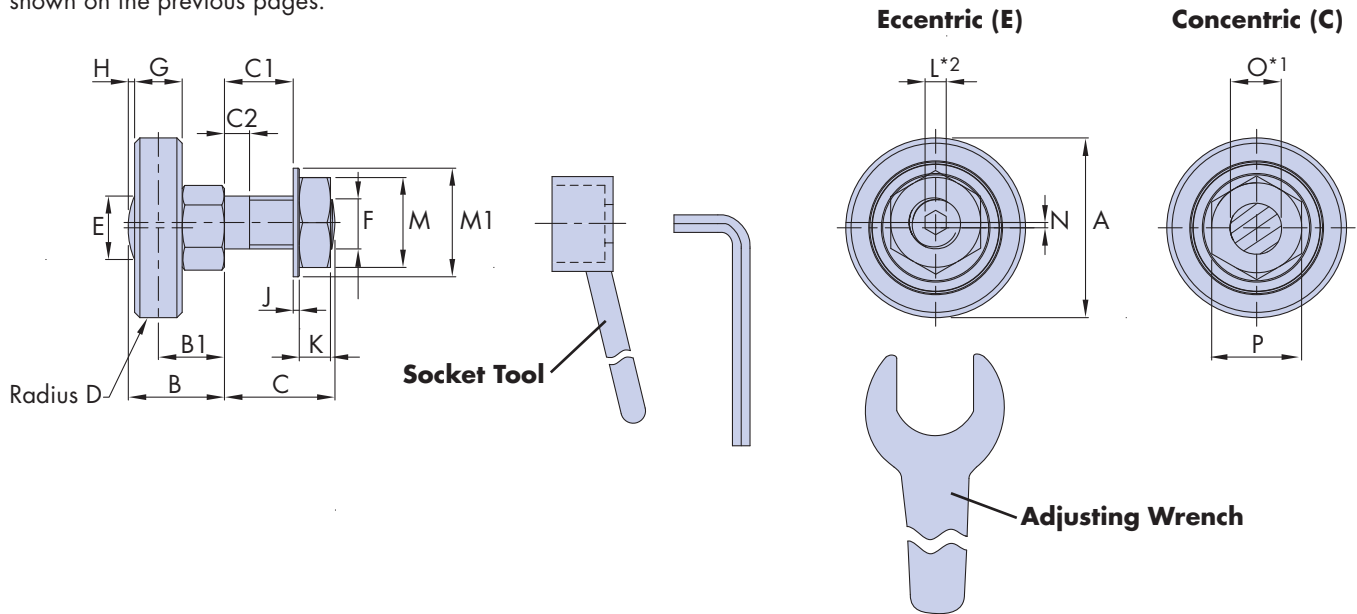
Bearing diameter options are **18, 25, 34 & 54**
 (Size 18 not available as LT grade)

Vacuum & Extreme Temperature Track Rollers



HepcoMotion Vacuum & High Temperature and Low Temperature Track Rollers are available mounted on both concentric and eccentric through hole fixing studs. They are available in diameters 25, 34 & 54mm with load capacities up to 4,200N. Track rollers can be run with any suitable flat track, or can be used as cam-followers.

Materials and greases are the same as are used on the VACSS vacuum & high temperature and LTSS low temperature V bearings shown on the previous pages.



Part Number	A	B	B1	C	C1	C2	D	E	F Metric Fine	G	H	J	K
...LRN25...	25	14.5	10	19	13	5	500	10	M8x1	7	1	1	5
...LRN34...	34	18.2	12.5	22	14.8	6	500	12	M10x1.25	9	1.2	1.25	6
...LRN54...	54	29.5	21	30	20.4	8	500	23.5	M14x1.5	14	1.4	1.6	8

L ²	M	M1	N	O ¹ +0 -0.03	P	Adjusting Wrench 	Socket Tool 	Weight g 	Max Working Load Capacity ⁴	Roller Static and Dynamic Radial Load Capacities (N) ³	
										Co	C
3	13	17	0.75	8	13	AT25	RT8	40	800	1,092	2,632
4	17	21	1	10	15	AT34	RT10	85	1,400	1,905	4,078
6	22	28	1.5	14	27	AT54	RT14	310	4,200	5,319	10,965

Ordering Details

Bearing Type: **VAC** = Vacuum & High Temperature
LT = Low Temperature
SS = Stainless steel
LRN = Indicates a track roller, 25 denotes the diameter in mm
C = Concentric (fixed) or **E** = Eccentric (Adjustable)

Notes:

- It is recommended that holes to suit Track Roller mounting studs should be reamed to tolerance F6 for a sliding fit.
- Eccentric Track Roller fixing studs are supplied with hexagon sockets for adjustment as shown.
- The quoted static and dynamic load capacities are based on industry standard calculations. These do not accurately reflect system performance, and are only provided for comparison with other systems.
- Please use the Max Working Load figures and the load/life calculations shown in the HepcoMotion GV3 catalogue to determine roller performance (visit www.HepcoMotion.com/GV3datauk and select GV3 catalogue 60).

HepcoMotion®, Lower Moor Business Park,
 Tiverton Way, Tiverton, Devon, England EX16 6TG

Tel: +44 (0) 1884 257000

Fax: +44 (0) 1884 243500

E-mail: sales@hepcotion.com

