

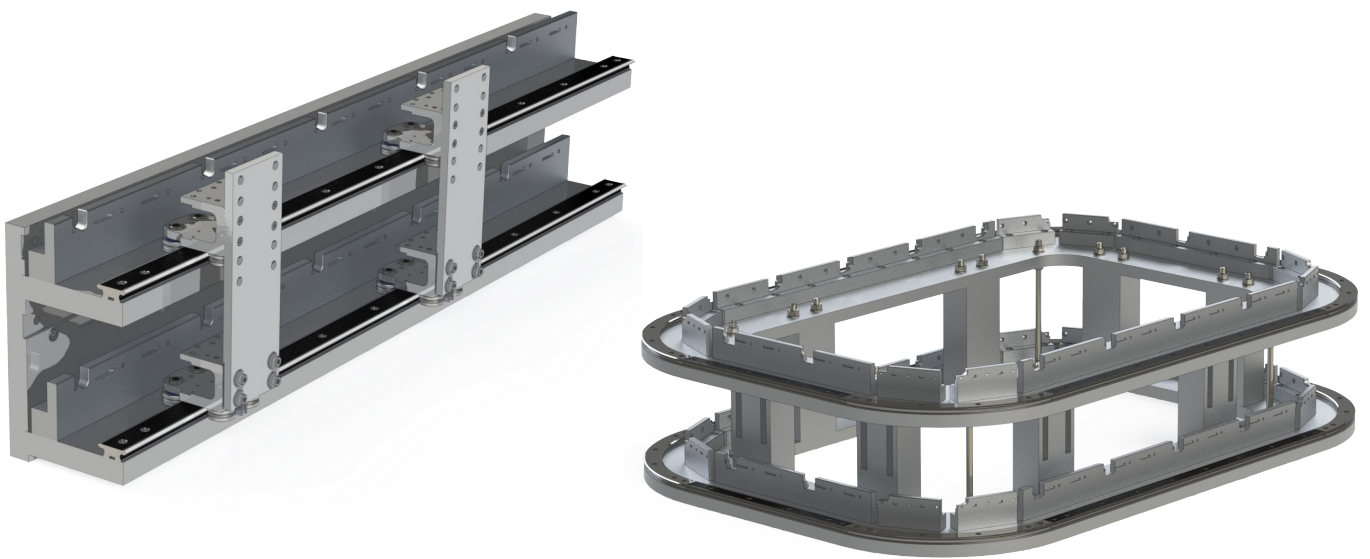


This data sheet interacts with
GFX Catalogue

GFX Hi-Drive

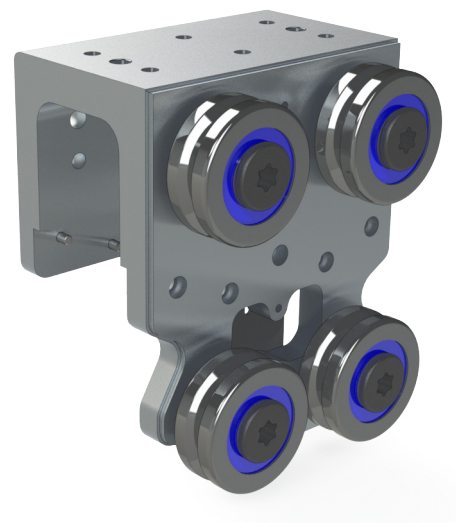
GFX Hi-Drive is a range of movers which incorporate the 7 & 10 pole magnet array. These will enable the XTS to generate greater drive forces or the same drive forces with reduced heat generation in the motor modules. Hepco have also added a larger bearing to the range to allow for the higher payloads without compromising the overall life of the system. It is specified for overall payloads (product and tooling and process load combined) of up to 20kg per mover. It is capable of a maximum velocity of 4m/s and acceleration of 40m/s².

When programmed through TwinCAT with a specific 'pairing protocol' XTS coding from Beckhoff, 2 movers can be paired in a stacked, mechanically linked configuration, giving a single drive axis up to 40kg. The 10 pole mover provides over 200N of drive force, the 7 pole offering around 150N.



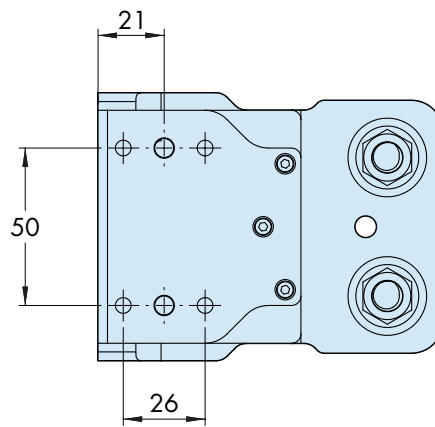
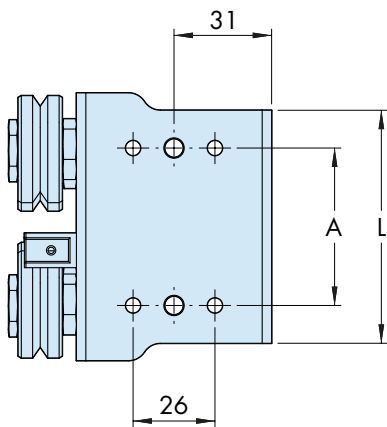
GFX/XTS Hi-Drive will use less energy per stator to deliver the same drive force as a comparable 5 pole array and therefore generate less heat in the modules, allowing more throughput to thermally limited applications. Alternatively, overall drive force can be higher, so applications with higher mass payloads can still accelerate at 40m/s².

Due to the tight radius of the 180° motor module, only the 7 pole magnet array can be used on the 1TL applications. Hi-Drive is currently only available for use with M34 1TL movers.

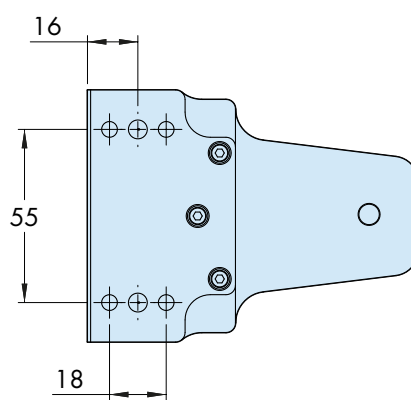
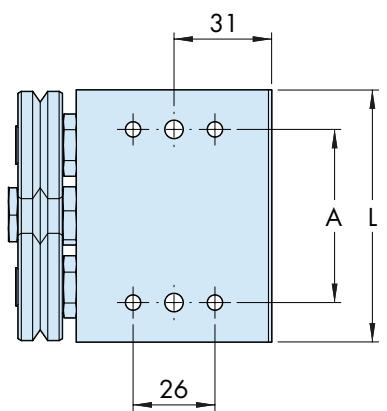
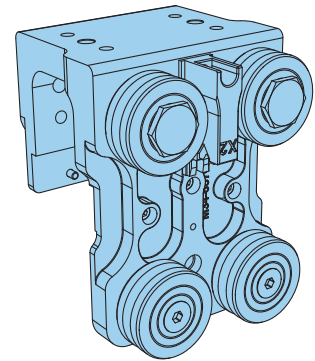


Hepco's Ø34 4 bearing PRT2 movers are available in 7 and 10 pole versions. There is also a new 4 bearing mover using the higher capacity Ø40 bearing designed specifically for the 10 pole magnet although this can be fitted with a 7 pole magnet if desired for other performance requirements.

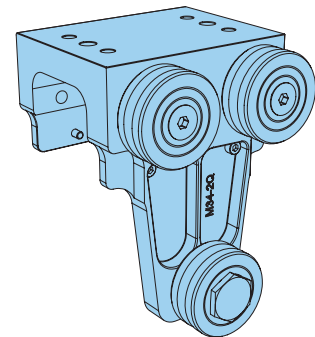
Technical Information



4 Bearing Mover



3 Bearing Mover



Please refer to GFX catalogue, pages 7 & 8 for more information

Integration

Hi-Drive uses standard GFX track, baseplate and motor mounting components. All the new movers can be reverse compatible with existing track system geometry, depending on mounting hole position. It should be noted however that only 1TL-M34 movers will be available for 3 bearing systems.

Part Number	Description	A	L	Mass*1
GFX-1TC-M34-7P-AS	3 bearing mover to suit 7 pole magnet array - 180° motor	55	80	900g
GFX-FCC-M34-637-7P-AS	4 bearing mover to suit 7 pole magnet array - 45° motor	50	74	1050g
GFX-FCC-M34-1274-7P-AS	4 bearing mover to suit 7 pole magnet array - 22.5° motor			
GFX-FCC-M34-637-10P-AS	4 bearing mover to suit 10 pole magnet array - 45° motor	70	100	1200g
GFX-FCC-M34-1274-10P-AS	4 bearing mover to suit 10 pole magnet array - 22.5° motor			
GFX-FCC-M40-637-10P-AS	4 bearing mover to suit 10 pole magnet array, Ø40 bearings - 45° motor	70	100	1550g
GFX-FCC-M40-1274-10P-AS	4 bearing mover to suit 10 pole magnet array, Ø40 bearings - 22.5° motor			

*1 Mass includes Beckhoff magnets.

Additional Information

- GFX is the guidance system for Beckhoff XTS linear transport system.
- Detailed CAD data is available on request, please contact the Hepco Technical Sales department for more information.

HepcoMotion®, Lower Moor Business Park,
Tiverton Way, Tiverton, Devon, England EX16 6TG

Tel: +44 (0) 1884 257000

Fax: +44 (0) 1884 243500

E-mail: sales@hepcotion.com

www.HepcoMotion.com